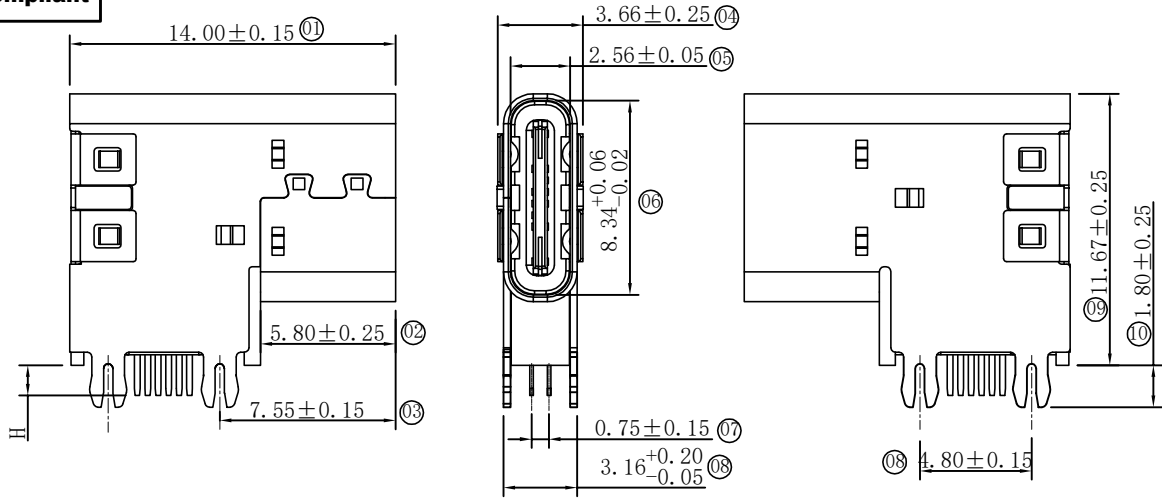


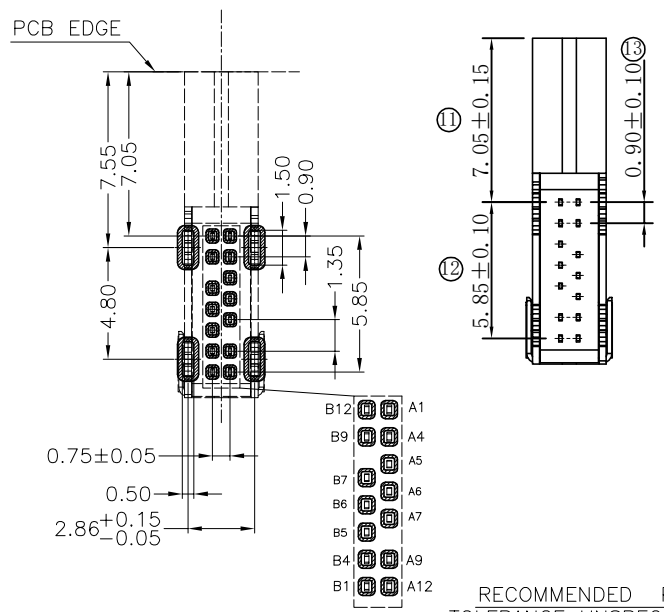
RoHS Compliant

REVISIONS			
REV.	DESCRIPTION	DATE	DESIGN

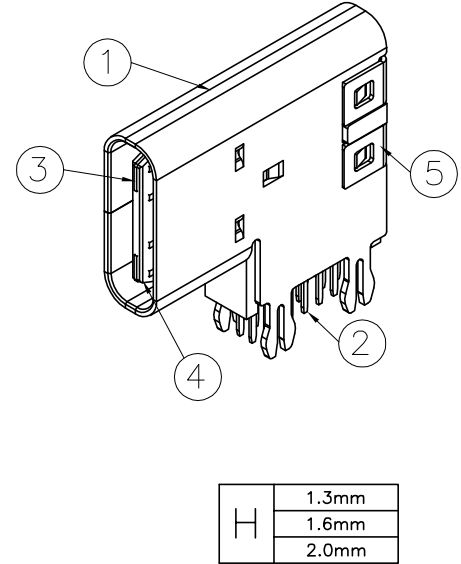


NOTES:

- ELECTRICAL
 - RATED CURRENT: 3.0A
 - CONTACT RESISTANCE: 30 MILLIOHMS MAX
 - WITHSTAND VOLTAGE: 150V AC / 1 mA MAX
 - INSULATION RESISTANCE: 150V DC/100 MEGA OHMS MIN
- MECHANICAL:
 - MATING FORCE: 5-20N
 - UNMATING FORCE: 8-20N
 - LIFETIME: 10000次
- MATERIAL
 - HOUSING: LCP+30%G.F 黑色 UL94V-0
 - CONTACT: C2680 T=0.15MM
 - SHELL: SUS201 T=0.30MM
 - HOOK: SUS201 T=0.12MM
- PLATING:FINISH
 - CONTACT: AU 1U" ON CONTACT AREA
GOLD PLATED ON WELDING AREA.
 - SHELL: MATTE TIN PLATED 40U"MIN (SALT SPRY 24H)
- TIN STICKING TEST IS NECESSARY FOR ELECTROPLATE: COVER 95% MIN
COLLOSOL、DISCOLOR (DISTORTED SHOULD BE WITHIN TOLDERANCE)
- WORKING TEMPERATURE: -55° C~+85° C
- SALT SPRAY TEST:
THERE IS NO RUST AFTER 24HOURS SALT SPRAY TEST BY BRINE
CONCENTRATION 5±1% ;
- CONTROLLING CRITICAL DIMENSIONS.

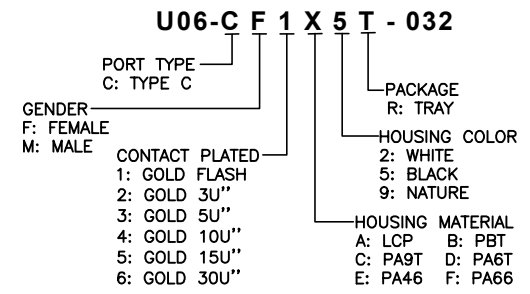


RECOMMENDED P.C.B. LAYOUT
TOLERANCE UNSPECIFIED ±0.05mm



H	1.3mm
	1.6mm
	2.0mm

PART NO. INFORMATION



Bestcreate Technology Limited

TOLERANCES UNLESS OTHERWISE SPECIFIED:			
X.	± 0.50	X'	± 3'
.X	± 0.25	.X'	± 2'
.XX	± 0.15	.XX'	± 1'

Tel/Whatsapp:0086-13712299763
Skype: belle.wu3340

DESIGN:	DATE:
I. L	2017. 3. 1
CHECKED:	DATE:
C. W	2017. 3. 1
APPROVED:	DATE:
C. W	2017. 3. 1

TITLE:	USB TYPE CF 14PIN 侧插SMT CH=6.70	
MATERILA:	PART NO:	SIZE:
FINSH:	U06-CF1X5T-032	A4
	DWG NO:	
	U06-CF1X5T-032	

REV:	UNIT	SCALE	QUALITY SYMBOLS
A	mm	1=1	