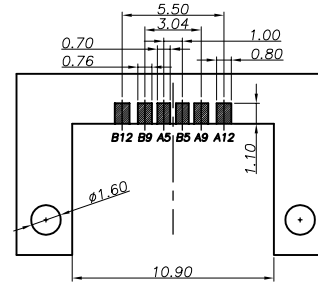
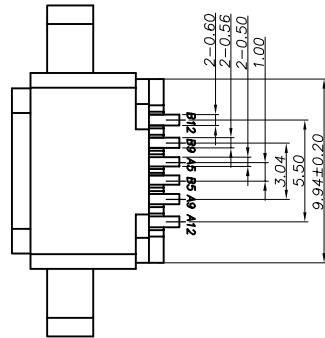
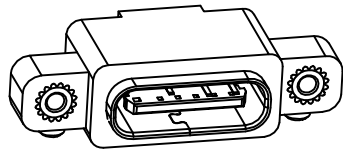


RoHS Compliant

REVISIONS			
REV.	DESCRIPTION	DATE	DESIGN

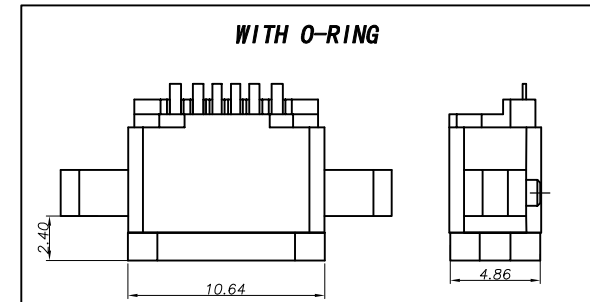
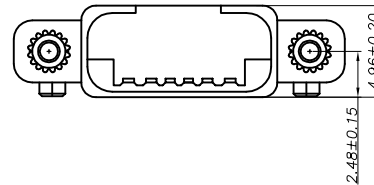
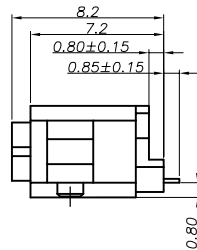
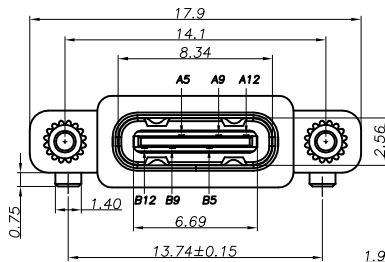


RECOMMENDED P.C.B. LAYOUT
TOLERANCE UNSPECIFIED $\pm 0.05\text{mm}$

NOTES:

SPECIFICATION:

- CURRENT RATING: 3.0A MAX
- VOLTAGE: 100 VAC
- TEMPERATURE RANGE: $-30\text{ }^{\circ}\text{C} \sim 85\text{ }^{\circ}\text{C}$
- CONTACT RESISTANCE: 40 MILLIONHM MAX
- INSULATION RESISTANCE: 100 MEGOHMS MIN.
- INSERTION FORCE : 5N~20N
- UNMATING FORCE: 8N~20N
- DURABILITY: 10,000 CYCLES
- WATER PROOFNESS: THIS PRODUCT IS BASED ON IPX7.



NO.	DESCRIPTION	MATERIAL	REMARKS	QTY
5	防水圈	硅胶	BLACK	1PCS
4	SHELL	STAINLESS STEEL	Ni Plated	1PCS
3	SHIELDING PLATE	STAINLESS STEEL	Ni Plated	1PCS
2	CONTACT	COPPER ALLOY	TIN/Au/Ni Plated	1SET
1	HOUSING	HIGH TEMPERATURE PLASTIC	BLACK	1PCS

PART NO. INFORMATION

U06-C F X X 5 X - W042

- PORT TYPE
C: TYPE C
- GENDER
F: FEMALE
M: MALE
- CONTACT PLATED
1: GOLD FLASH
2: GOLD 3U"
3: GOLD 5U"
4: GOLD 10U"
5: GOLD 15U"
6: GOLD 30U"
- PACKAGE
R: TAPE & REEL
- HOUSING COLOR
2: WHITE
5: BLACK
9: NATURE
- HOUSING MATERIAL
A: LCP B: PBT
C: PA9T D: PA6T
E: PA46 F: PA66

A5	CC1	B12	GND
A9	VBUS	B9	VBUS
A12	GND	B5	CC2
PIN	SIGNAL NAME	PIN	SIGNAL NAME

Bestcreate Technology Limited

TOLERANCES UNLESS OTHERWISE SPECIFIED:

.X	± 0.30	X.	$\pm 10'$
.XX	± 0.20	.X'	$\pm 8'$
.XXX	± 0.10	.XX'	$\pm 5'$

Website: www.bsc-elec.com
Email: bestcreate@bsc-elec.com

DESIGN: I. L
DATE:

CHECKED: C. W
DATE:

APPROVED: C. W
DATE:

TITLE:

IPX7 Waterproof 6P Type C USB Female Connector

MATERIAL:	PART NO: U06-CFXX5X-W042	SIZE: A4
FINISH:	DWG NO: U06-CFXX5X-W042	

REV: A	UNIT: mm	SCALE: 1=1	QUALITY SYMBOLS
--------	----------	------------	-----------------

1

2

3

4

5

6

7

8