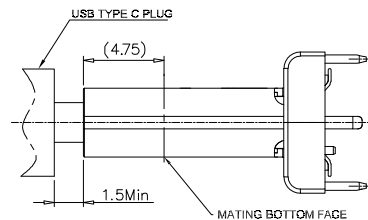
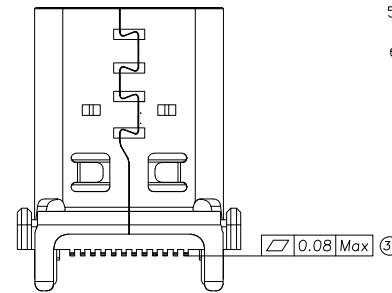
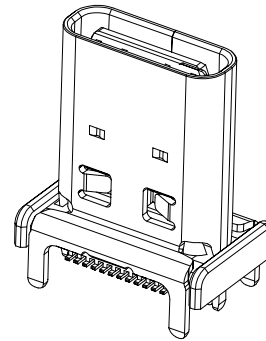
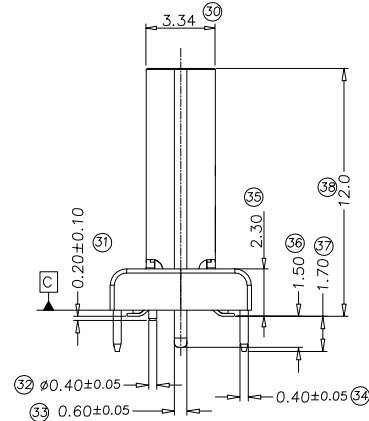
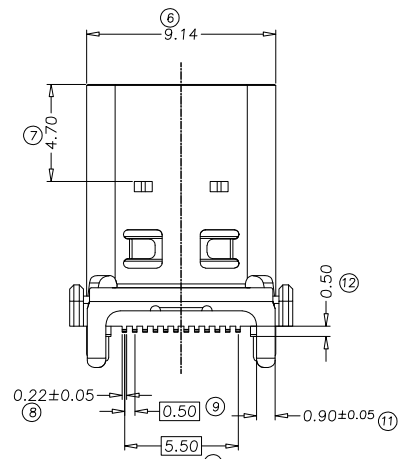
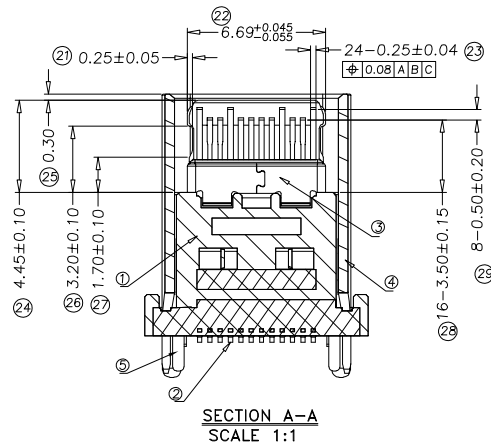
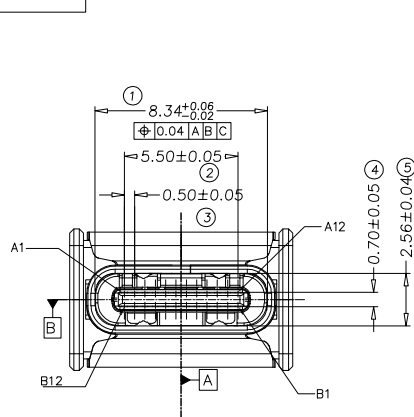


RoHS Compliant

REVISIONS			
REV.	DESCRIPTION	DATE	DESIGN



NOTE:  
 1.MATERIAL SPECIFICATION:  
 1-1.HOUSING-HIGH TEMPERATURE RESISTANT PLASTIC, WITH 30%GLASS FILLED,UL94 V-0 BLACK.  
 1-2.CONTACTS: COPPER ALLOY  
 1-3.EMI SPRING: STAINLESS STEEL  
 1-4.FRONT SHELL: STAINLESS STEEL  
 1-5.MIDDLE BLADE: STAINLESS STEEL  
 2.PLATING SPECIFICATION:  
 2-1.CONTACTS:  
 Ni 30u" MIN. UNDER PLATED OVER ALL.  
 1-30u" Au PLATED ON THE FUNCTIONAL AREA OF CONTACT.  
 TIN PLATED ON SOLDER AREA.  
 2-2.EMI SPRING:  
 CLEANING ONLY  
 2-3.FRONT SHELL:  
 Ni 50u" MIN. UNDER PLATED OVER ALL.  
 2-4.MIDDLE BLADE:  
 Ni 50u" MIN. UNDER PLATED OVER ALL.  
 3.MECHANICAL PERFORMANCE,  
 3-1.INSERTION FORCE: 0.5~2.0kgf.  
 3-2.REMOVAL FORCE: 0.8kgf~2.0kgf.  
 3-3.DURABILITY: 10000 CYCLES.  
 4.ELECTRICAL PERFORMANCE,  
 4-1. CURRENT RATING:5.0A  
 VOLTAGE RATING:5.0V  
 4-2. LLCR:  
 VBUS & GND PINS AND OTHER PINS: 40mA/PIN MAX.  
 SHIELD: 50mA/MAX.  
 LLCR MAX. CHANGE OF ALL PINS: 10mA  
 4-3.INSULATION RESISTANCE: 100MΩ MIN  
 4-4.DIELECTRIC WITHSTAND VOLTAGE,AC 100V FOR 1 MINUTE.  
 5. ENVIRONMENTAL PERFORMANCE:  
 OPERATING TEMPERATURE: -25°C~+85°C.  
 6.IR REFLOW:  
 THE PEAK TEMPERATURE ON THE BOARD SHALL BE MAINTAINED FOR 10 SECONDS AT 260°C.

PART NO. INFORMATION

**U06-C F 1 A 5 R - 018**

PORT TYPE  
 C: TYPE C  
 PACKAGE  
 R: TAPE REEL  
 HOUSING COLOR  
 2: WHITE  
 5: BLACK  
 9: NATURE  
 HOUSING MATERIAL  
 A: LCP B: PBT  
 C: PA9T D: PA6T  
 E: PA46 F: PA66

**Bestcreate Technology Limited**

TOLERANCES UNLESS OTHERWISE SPECIFIED:

.X	± 0.30	X.	± 5°
.XX	± 0.20	.X°	± 2°
.XXX	± 0.10	.XX°	± 1°

Website: www.bsc-elec.com

E-mail: bestcreate@bsc-elec.com

DESIGN: I. L DATE: 2017. 3. 1

CHECKED: C. W DATE: 2017. 3. 1

APPROVED: C. W DATE: 2017. 3. 1

TITLE: USB TYPE C FEMALE, VERTICAL  
 TYPE SHELL H12. 0mm

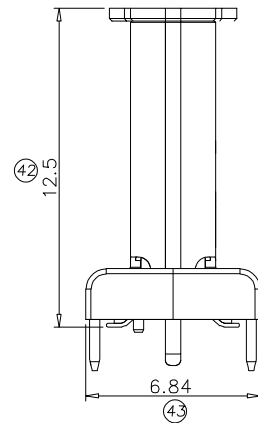
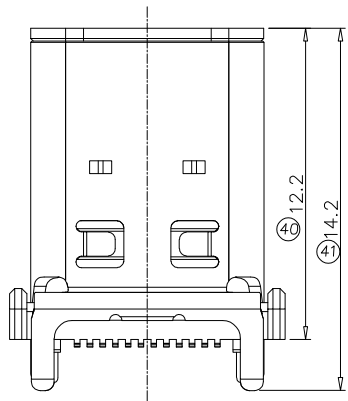
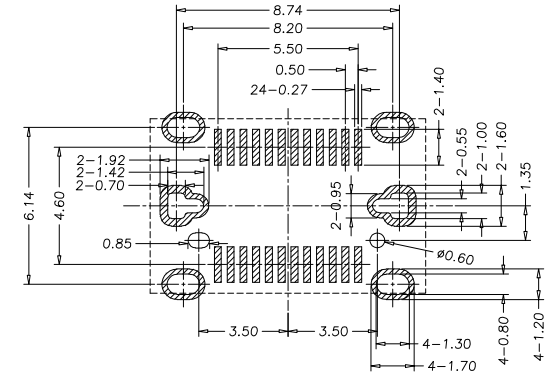
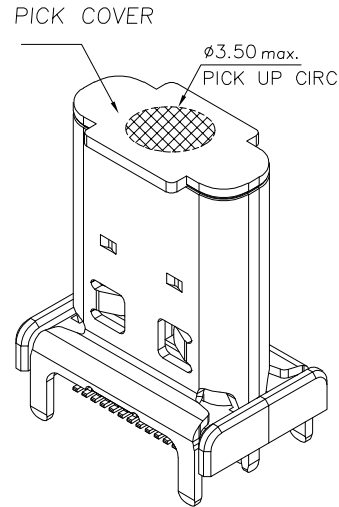
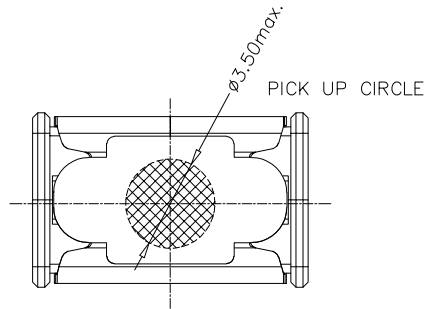
MATERIAL: PART NO: U06-CF1A5R-018 SIZE: A4

FINISH: DWG NO: U06-CF1A5R-018 SHEET: 1 OF 3

REV: A UNIT mm SCALE 1=1 QUALITY SYMBOLS

RoHS Compliant

REVISIONS			
REV.	DESCRIPTION	DATE	DESIGN



PIN DEFINE:

PIN ASSIGNMENT											
A1	A2	A3	A4	A5	A6	A7	A8	A9	A10	A11	A12
GND	TX1+	TX1-	VBUS	CC1	D+	D-	SBU1	VBUS	RX2-	RX2+	GND
GND	RX1+	RX1-	VBUS	SBU2	D-	D+	CC2	VBUS	TX2-	TX2+	GND
B12	B11	B10	B9	B8	B7	B6	B5	B4	B3	B2	B1

**Bestcreate Technology Limited**

TOLERANCES UNLESS OTHERWISE SPECIFIED:

.X	± 0.30	.X*	± 5°
.XX	± 0.20	.X*	± 2°
.XXX	± 0.10	.XX*	± 1°

Website: [www.bsc-elec.com](http://www.bsc-elec.com)  
 E-mail: [bestcreate@bsc-elec.com](mailto:bestcreate@bsc-elec.com)

DESIGN: I. L  
 DATE: 2017. 3. 1

CHECKED: C. W  
 DATE: 2017. 3. 1

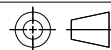
APPROVED: C. W  
 DATE: 2017. 3. 1

TITLE: USB TYPE C FEMALE, VERTICAL  
 TYPE SHELL H12. 0mm

MATERILA: PART NO: U06-CF1A5R-018 SIZE: A4

FINSH: DWG NO: U06-CF1A5R-018 SHEET: 2 OF 3

REV: A  
 UNIT: mm  
 SCALE: 1=1  
 QUALITY SYMBOLS

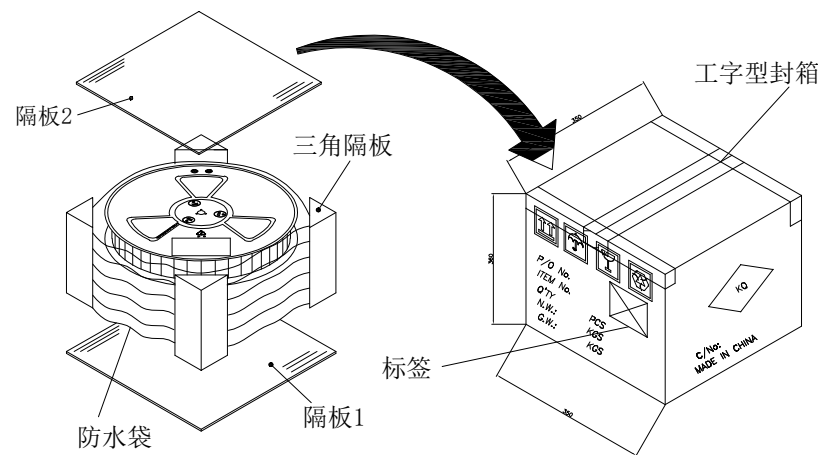
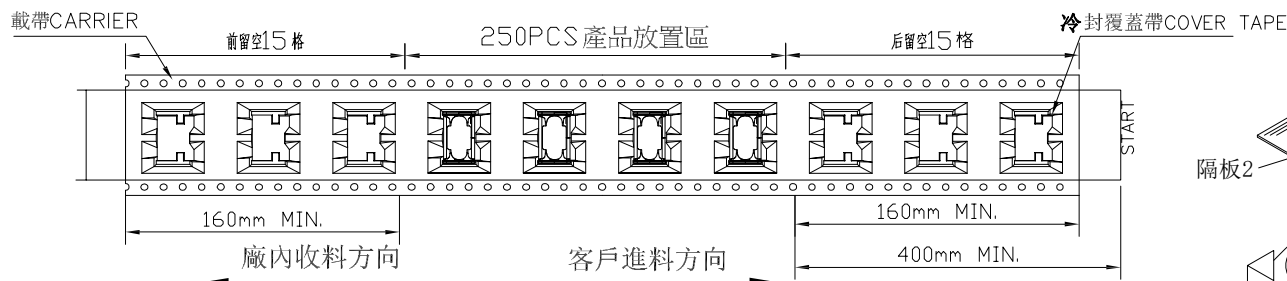
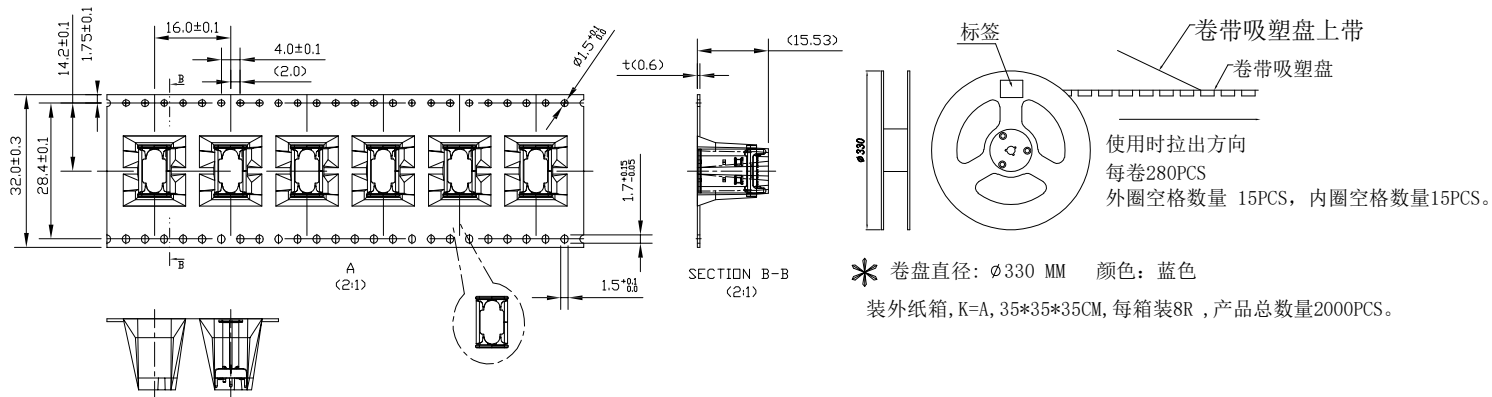


RoHS Compliant

REVISIONS			
REV.	DESCRIPTION	DATE	DESIGN

成品置於COMPONENTS區, 如圖所示.

端子(焊接点) 朝向載帶底部, 并注意成品擺放方向之一致性.



备注:

1. 包装卷带与纸箱尺寸如图所示
2. 每盘装250PCS, 每箱8盘, 共计产品2000PCCS
3. 上下带用包装机封好, 并用胶纸贴好;
4. 箱内放入一个防水袋, 产品放入防水袋后, 四角用角板固定;
5. 包装过程中将标签粘到指定位置;
6. 箱内空处需用填充物填充, 防止外力致使外箱变形;

	REEL	CARTON
CONNECTOR (PCS)	250	2000

**Bestcreate Technology Limited**

TOLERANCES UNLESS OTHERWISE SPECIFIED:

.X	± 0.30	×.*	± 5*
.XX	± 0.20	.X*	± 2*
.XXX	± 0.10	.XX*	± 1*

Website: www.bsc-elec.com  
E-mail: bestcreate@bsc-elec.com

DESIGN: I. L  
DATE: 2017. 3. 1

CHECKED: C. W  
DATE: 2017. 3. 1

APPROVED: C. W  
DATE: 2017. 3. 1

TITLE: USB TYPE C FEMALE, VERTICAL  
TYPE SHELL H12. 0mm

MATERILA: PART NO: U06-CF1A5R-018 SIZE: A4

FINSH: DWG NO: U06-CF1A5R-018 SHEET: 3 OF 3

REV: A UNIT mm SCALE 1=1 QUALITY SYMBOLS

1

2

3

4

5

6

7

8