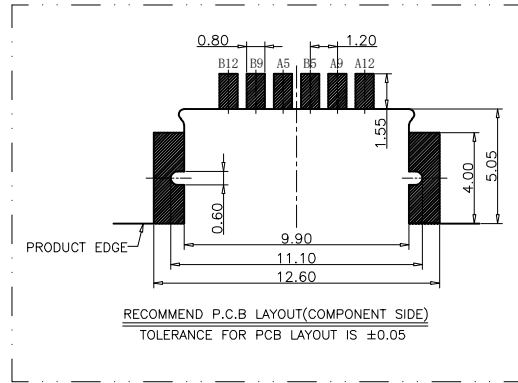
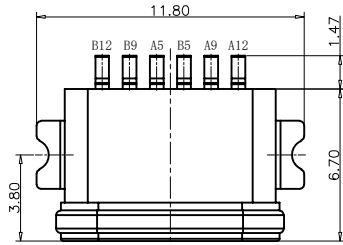


RoHS Compliant

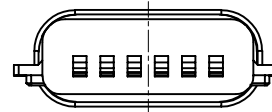
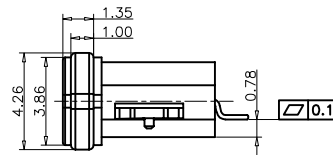
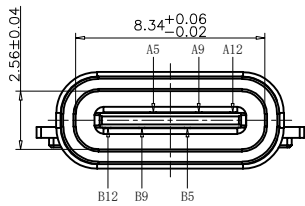


REVISIONS			
REV.	DESCRIPTION	DATE	DESIGN



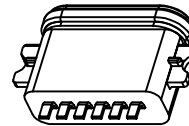
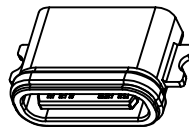
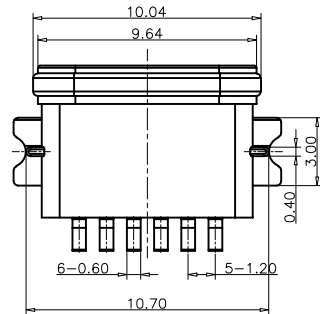
NOTE:

- 1.ELECTRICAL:
  - 1.1.CONTACT: CONTACT RESISTANCE 40mΩ Max,10mΩ LESS OR MORE IS ALLOWED. TEST CONDITION:20mv, 100mA .
  - 1.2.CURRENT ON CONTACT: 3A VBUS PIN-OUT; 1.25A FOR GND ; 0.25A FOR OTHERS.
  - 1.3.RATED VOLTAGE: 30V.
  - 1.4.WITHSTAND VOLTAGE: 100VR.M.S.
  - 1.5.INSULATION RESISTANCE: AT LEAST 100megohm .
- 2.MECHANICAL:
  - 3.1.MATING FORCE: 0.51-2.04Kg
  - 3.2.UNMATING FORCE: 0.82-2.04Kg
  - 3.3.LIFETIME: 10000 TIMES.
  - 4.WORKING TEMPERATURE: -20°C to +85°C.



USB TYPE C PIN ASSIGNMENTS

PIN NUMBER	SIGNAL NAME	PIN NUMBER	SIGNAL NAME
		B12	GND
		B9	VBUS
A5	CC1	B5	CC2
A9	VBUS		
A12	GND		



PART NO. INFORMATION

**U06-C F X X 5 R - W009**

- PORT TYPE  
C: TYPE C
- GENDER  
F: FEMALE  
M: MALE
- CONTACT PLATED  
1: GOLD FLASH  
2: GOLD 3U"  
3: GOLD 5U"  
4: GOLD 10U"  
5: GOLD 15U"  
6: GOLD 30U"
- PACKAGE  
R: TAPE REEL
- HOUSING COLOR  
2: WHITE  
5: BLACK  
9: NATURE
- HOUSING MATERIAL  
A: LCP B: PBT  
C: PA9T D: PA6T  
E: PA46 F: PA66

TABLE:

NO	PART	Q'TY	Material
1	SHELL	1	ZINC ALLOY,NI PLATED
2	CONTACT	6	COPPER STEEL,TIN/Au/NI PLATED
3	1MD HOUSING	1	HIGH TEMPERATURE RESISTANT PLASTIC BLACK UL94 V-0
4	WATERPROOF RING	1	SILICONE UL94 V-0 BLACK

**Bestcreate Technology Limited**

TOLERANCES UNLESS OTHERWISE SPECIFIED:

X.	± 0.50	X.*	± 2*
.X	± 0.30	.X*	± 1*
.XX	± 0.10	.XX*	± 0.5*

DESIGN:  
I. L

DATE:

CHECKED:

DATE:

C. W

APPROVED:

DATE:

C. W

TITLE:

IPX7 WATERPROOF MID-MOUNT 0.8MM USB-C 6P CONNECTOR, L=6.7MM

MATERILA:

PART NO:

U06-CFXX5R-W009

SIZE: A4

FINSH:

DWG NO:

U06-CFXX5R-W009

Website:www.bsc-elec.com

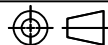
Email:bestcreate@bsc-elec.com

REV: A

UNIT mm

SCALE 1=1

QUALITY SYMBOLS



1

2

3

4

5

6

7

8