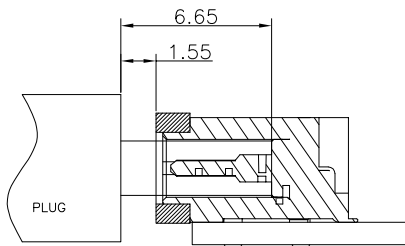
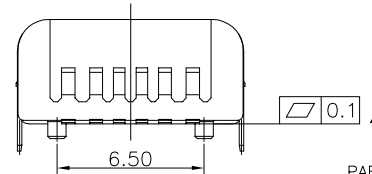
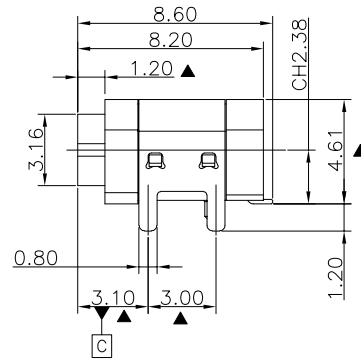
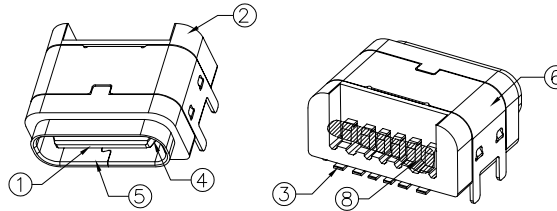
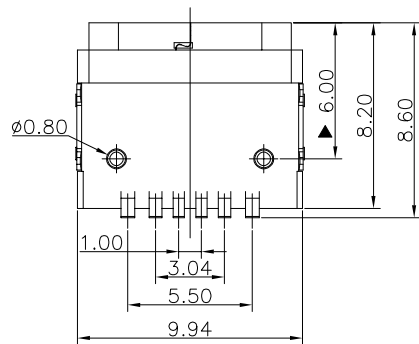
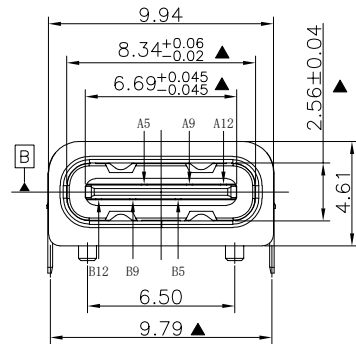
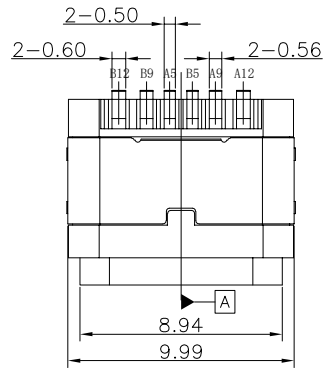


RoHS Compliant



MATED CONDITION(REF.)

REVISIONS			
REV.	DESCRIPTION	DATE	DESIGN

NOTE:

- ELECTRICAL PERFORMANCE,
 - CURRENT RATING:3 A
 - VOLTAGE RATING:20V DC/AC (RMS. MAX)
 - LLCR:
 - VBUS & GND PINS AND OTHER PINS: 40MΩ/PIN MAX.
 - SHIELD:50MΩ/MAX.
 - LLCR MAX. CHANGE OF ALL PINS: 10MΩ.
 - INSULATION RESISTANCE: 100MΩ MIN
 - DIELECTRIC WITHSTAND VOLTAGE,AC 100V FOR 1 MINUTE.
- MECHANICAL PERFORMANCE,
 - INSERTION FORCE: 5~20N.
 - EXTRACTION FORCE: 8~20N.
 - DURABILITY: 10000 CYCLES.
- ENVIRONMENTAL PERFORMANCE:
 - OPERATING TEMPERATURE: -30°C~+85°C.
- IR REFLOW:
 - THE PEAK TEMPERATURE ON THE BOARD SHALL BE MAINTAINED FOR 10 SECONDS AT 260°C.
- COMPLIANCE WITH ROHS REQUIREMENTS.
- WATER PROOFNESS:THIS PRODUCT IS BASED ON IP67.
- SALT SPRAY:24H
- With ▲ * for the key control size

PART NO. INFORMATION

U06-C F X X 5 X - W045

- GENDER: F: FEMALE, M: MALE
- PORT TYPE: C: TYPE C
- CONTACT PLATED: 1: GOLD FLASH, 2: GOLD 3U'', 3: GOLD 5U'', 4: GOLD 10U'', 5: GOLD 15U'', 6: GOLD 30U''
- PACKAGE: R:TAPE&REEL
- HOUSING COLOR: 2: WHITE, 5: BLACK, 9: NATURE
- HOUSING MATERIAL: A: LCP, B: PBT, C: PA9T, D: PA6T, E: PA46, F: PA66

NO.	DESCRIPTION	MATERIAL	REMARKS	QTY
8	胶水	环氧胶	BLACK	---
7	O-RING	SILICONE RUBBER	BLACK 60A	1PCS
6	OUT SHELL	STAINLESS STEEL SUS304 T=0.30mm	Ni30u''MINPlated	1PCS
5	INSIDE SHELL	STAINLESS STEEL SUS304 T=0.20mm	Ni30u''MINPlated	1PCS
4	SHIELDING PLATE	STAINLESS STEEL SUS301 T=0.15mm	---	1PCS
3	CONTACT	COPPER ALLOY C2680 T=0.20mm	接触区1u'',焊接区镀锡50u''Min	1SET
2	SHELL HOUSING	HIGH TEMPERATURE PLASTIC LCP UL94V-0	BLACK	1PCS
1	HOUSING	HIGH TEMPERATURE PLASTIC LCP UL94V-0	BLACK	1PCS

Bestcreate Technology Limited

TOLERANCES UNLESS OTHERWISE SPECIFIED:

.X	± 0.30	.X'	± 2'
.XX	± 0.25	.X''	± 1'
.XXX	± 0.10	.XX'	± 0.5'

Website:www.bsc-elec.com

Email:bestcreate@bsc-elec.com

DESIGN:

I.L

DATE:

CHECKED:

C.W

DATE:

APPROVED:

C.W

DATE:

TITLE:

IP67 WATERPROOF USB C FEMALE CONNECTOR MID MOUNT,CH:2.38

MATERIAL:

FINISH:

PART NO:

U06-CFXX5X-W045

DWG NO:

U06-CFXX5X-W045

SIZE:

A4

1 OF 3

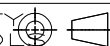
REV: A

UNIT

SCALE

mm
1=1

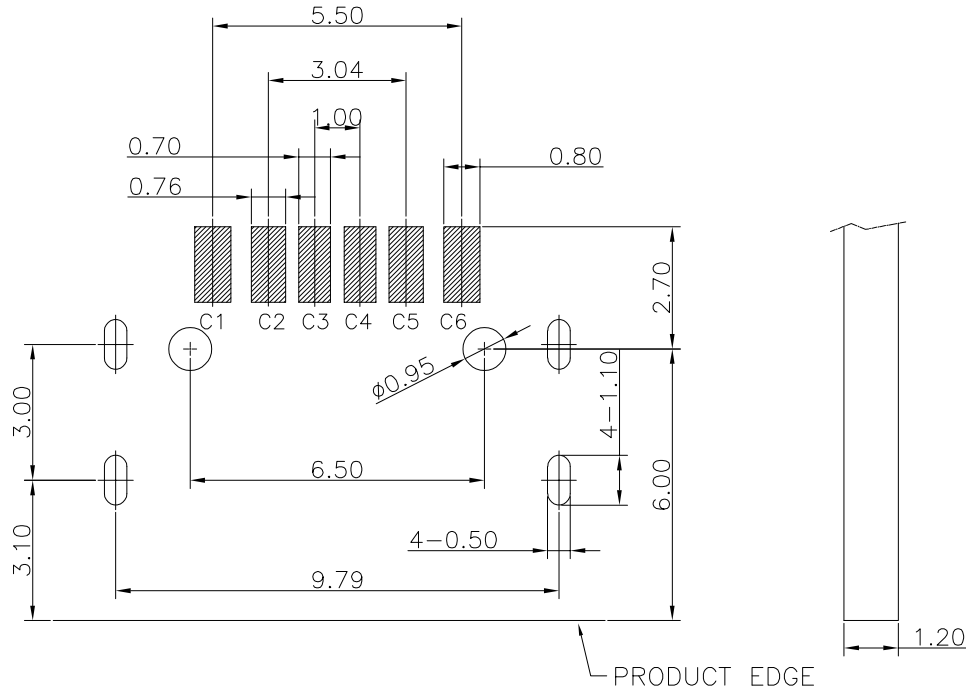
QUALITY SYMBOL



RoHS Compliant



REVISIONS			
REV.	DESCRIPTION	DATE	DESIGN



RECOMMEND P.C.B LAYOUT(COMPONENT SIDE)

TOLERANCE FOR PCB LAYOUT IS ± 0.05

SCALE:2:1

PIN ASSIGNMENT:

PIN NO	A1&B12	A4&B9	A5	B5	A9&B4	A12&B1
SIGNAL NAME	GND	VBUS	CC1	CC2	VBUS	GND
PCB PAD NO.	C1	C2	C3	C4	C5	C6

Bestcreate Technology Limited

TOLERANCES UNLESS OTHERWISE SPECIFIED:

.X	± 0.30	.X'	$\pm 2'$
.XX	± 0.25	.X''	$\pm 1'$
.XXX	± 0.10	.X'''	$\pm 0.5'$

DESIGN: I.L DATE:

CHECKED: C.W DATE:

APPROVED: C.W DATE:

TITLE: IP67 WATERPROOF USB C FEMALE CONNECTOR MID MOUNT.CH:2.38

MATERILA: PART NO: U06-CFXX5X-W045 SIZE: A4

FINSH: DWG NO: U06-CFXX5X-W045 2 OF 3

REV:	UNIT	SCALE	QUALITY SYMBOL
A	mm	1=1	

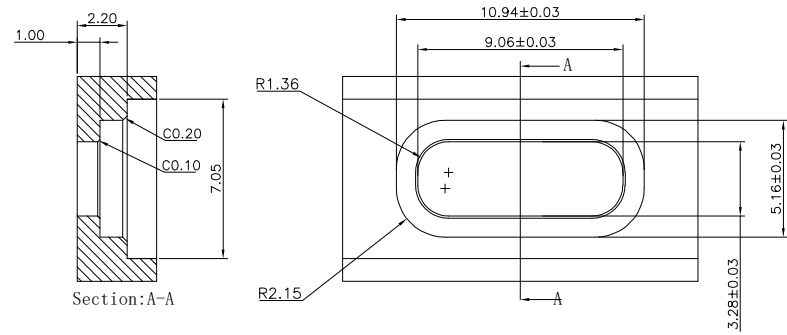
Website:www.bsc-elec.com
Email:bestcreate@bsc-elec.com

RoHS Compliant

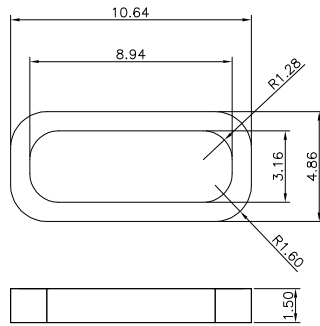


REVISIONS			
REV.	DESCRIPTION	DATE	DESIGN

机壳开孔建议尺寸图 Δ

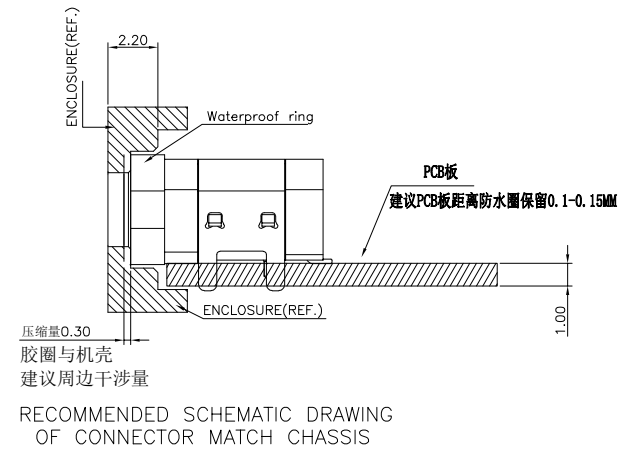
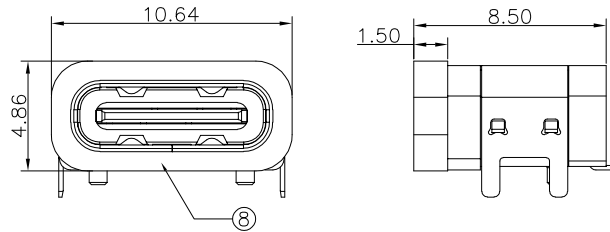


防水圈尺寸图
GJ002GBP-02



1. 材质: 硅胶
2. 硬度: 60A
3. 颜色: 黑色

加防水圈示意图



Bestcreate Technology Limited

TOLERANCES UNLESS OTHERWISE SPECIFIED:

.X	± 0.30	X'	± 2'
.XX	± 0.25	.X'	± 1'
.XXX	± 0.10	.XX'	± 0.5'

Website: www.bsc-elec.com
Email: bestcreate@bsc-elec.com

DESIGN: I.L
DATE:

CHECKED: C.W
DATE:

APPROVED: C.W
DATE:

TITLE:

IP67 WATERPROOF USB C FEMALE CONNECTOR MID MOUNT, CH:2.38

MATERIAL:

PART NO:
U06-CFXX5X-W045

SIZE:
A4

FINISH:

DWG NO:
U06-CFXX5X-W045

3 OF 3

REV: A
UNIT: mm
SCALE: 1=1

QUALITY SYMBOL