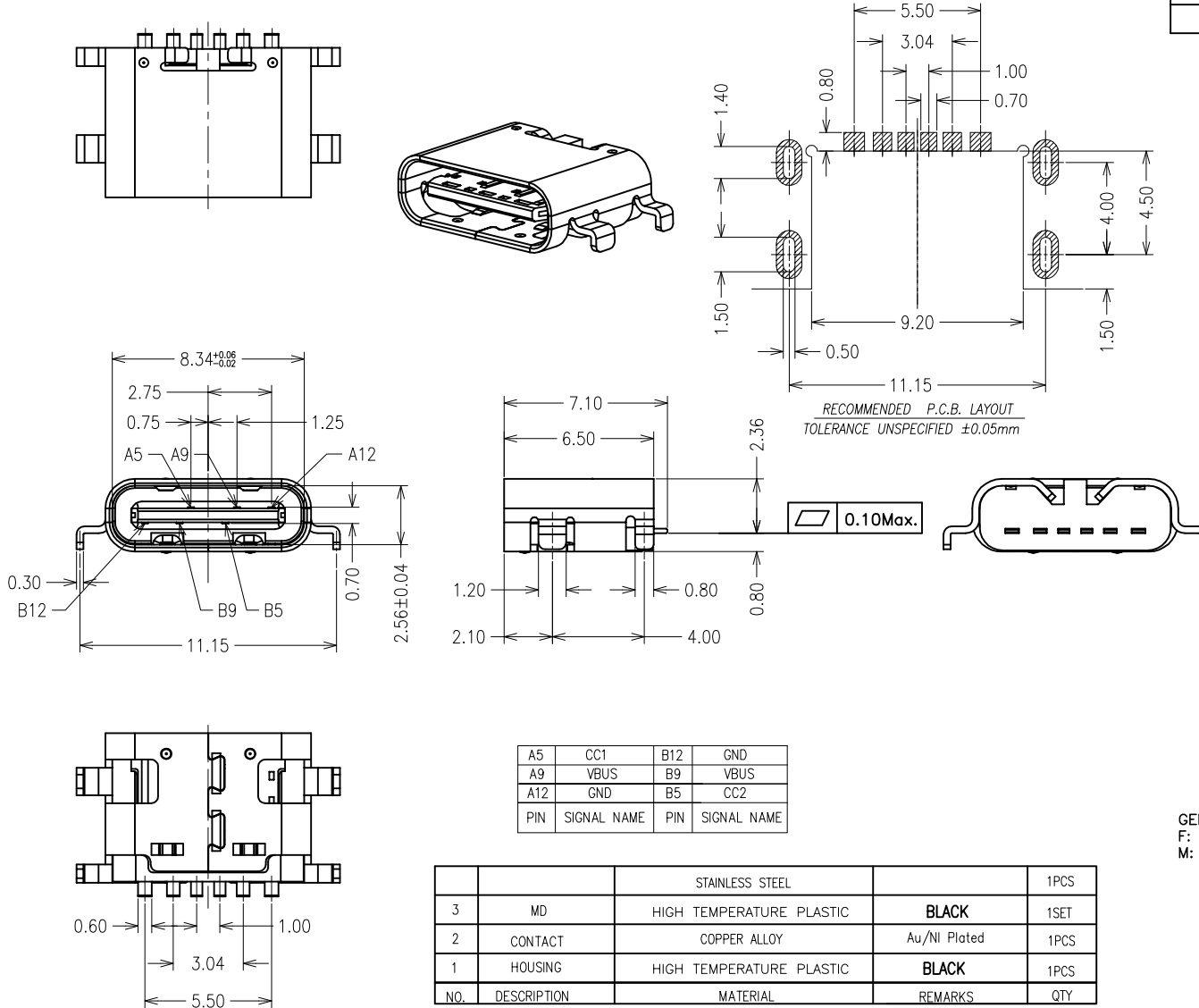


RoHS Compliant

REVISIONS			
REV.	DESCRIPTION	DATE	DESIGN

SPECIFICATION

- ELECTRICAL CHARACTERISTICS:
 - VOLTAGE&CURRENT RATING:DC 30V MAX&3A
 - CONTACT RESISTANCE: 40mΩ MAX INITIAL.
 - INSULATION RESISTANCE:
1000MΩ MIN FOR VOLTAGE 100VDC.
 - DIELECTRIC WITHSTAND: 100V AC for 1 MINUTE
 - OPERATING TEMPERATURE: -25°C~+85°C
- MECHANICAL CHARACTERISTICS:
 - INSERT FORCE: 5-20N Max
 - WITHDRAW FORCE: 5-20N Min
 - LIFE TEST :3,000 CYCLES



A5	CC1	B12	GND
A9	VBUS	B9	VBUS
A12	GND	B5	CC2
PIN	SIGNAL NAME	PIN	SIGNAL NAME

NO.	DESCRIPTION	MATERIAL	REMARKS	QTY
		STAINLESS STEEL		1PCS
3	MD	HIGH TEMPERATURE PLASTIC	BLACK	1SET
2	CONTACT	COPPER ALLOY	Au/Ni Plated	1PCS
1	HOUSING	HIGH TEMPERATURE PLASTIC	BLACK	1PCS

PART NO. INFORMATION

U06-C F X X 5 R - 045-V1

- PORT TYPE
C: TYPE C
- GENDER
F: FEMALE
M: MALE
- CONTACT PLATED
1: GOLD FLASH
2: GOLD 3U"
3: GOLD 5U"
4: GOLD 10U"
5: GOLD 15U"
6: GOLD 30U"
- PACKAGE
R: TAPE REEL
- HOUSING COLOR
2: WHITE
5: BLACK
9: NATURE
- HOUSING MATERIAL
A: LCP B: PBT
C: PA9T D: PA6T
E: PA46 F: PA66

Bestcreate Technology Limited

TOLERANCES UNLESS OTHERWISE SPECIFIED:

X.	± 0.30	X.*	± 5"
.X	± 0.15	.X*	± 2"
.XX	± 0.10	.XX*	± 1"

DESIGN: I. L DATE: TITLE:

CHECKED: C. W DATE: USB CF 6PIN 沉板0.8mm, 外壳无弹片

APPROVED: C. W DATE: MATERILA: PART NO: U06-CFXX5R-045-V1 SIZE: A4

REV: A UNIT mm SCALE 1=1 QUALITY SYMBOLS

Website: www.bsc-elec.com
Email: bestcreate@bsc-elec.com

FINSH: DWG NO: U06-CFXX5R-045-V1