

RoHS Compliant

REVISIONS			
REV.	DESCRIPTION	DATE	DESIGN

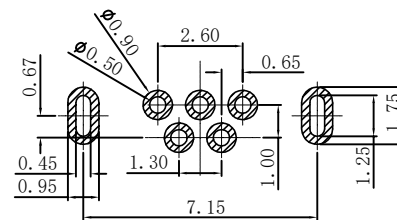
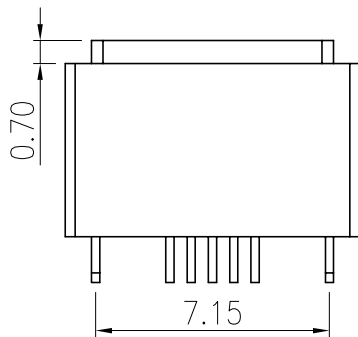
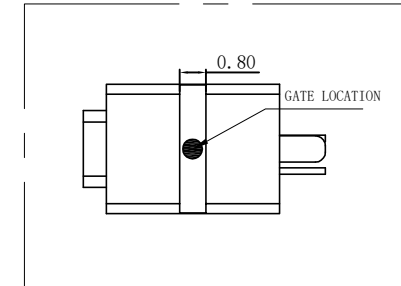
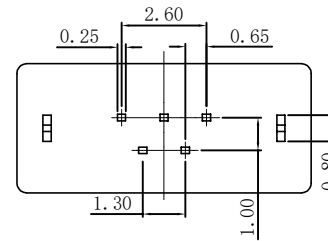
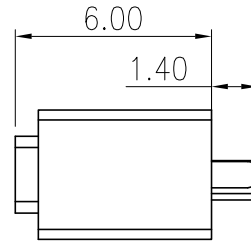
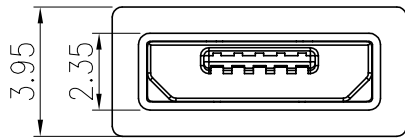
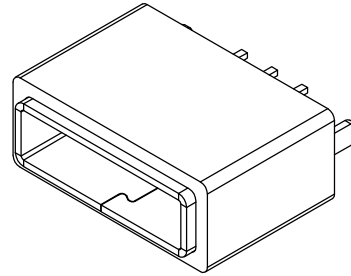
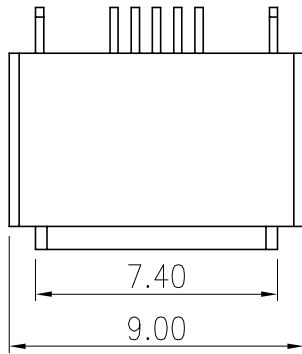
Note:

1. Material:

- 1.1 Housing: LCP+G.F, UL94v-0, BLACK
- 1.2 Contact: copper alloy, t=0.20mm
- 1.3 Shell: StainlessSteel, t=0.25mm
- 1.4 COVER: PA9T+G.F, BLACK

2. Specification:

- 2.1 Current rating: 1A Max
- 2.2 withstanding woltage: 100V(AC) for 1 min.
- 2.3 Contact resistance: 50mΩ Max.
- 2.4 Insulation resistance: 100mΩ min.
- 2.5 mating force: 3.57 Kgf Max.
- 2.6 unmating force: 1.0Kgf Initial, 0.8Kgf after tested.
- 2.7 Temperature range: -30° C~80° C

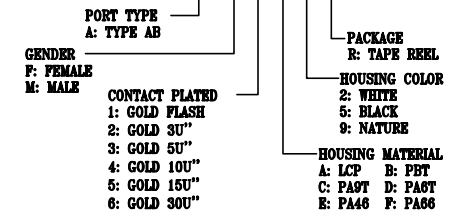


Recommend PCB layout

ITEM	PART NAME	Q' TY	MATERIALS	REMARK
④	COVER	1	PA9T	UL94V-0, BLACK
③	SHELL	1	StainlessSteel	Ni PLATED, T=0.25
②	CONTACT	5	Copper alloy	G/F, T=0.20
①	HOUSING	1	LCP	UL94V-0, BK

PART NO. INFORMATION

U01-AB F X X 5 R - W006



Bestcreate Technology Limited

TOLERANCES UNLESS OTHERWISE SPECIFIED:

.X	± 0.35	X.*	± 3*
.XX	± 0.25	.X*	± 2*
.XXX	± 0.15	.XX*	± 1*

Website: www.bsc-elec.com
E-mail: bestcreate@bsc-elec.com

DESIGN: I. L DATE: 2017/3/1

CHECKED: C. W DATE: 2017/3/1

APPROVED: C. W DATE: 2017/3/1

TITLE: WATERPROOF MICRO USB 5P AB TYPE FEMALE 180°

MATERIAL: PART NO: U01-ABFX5R-W006 SIZE: A4

FINISH: DWG NO: U01-ABFX5R-W006 SHEET: 1 OF 1

REV: A UNIT mm SCALE 1=1 QUALITY SYMBOLS

