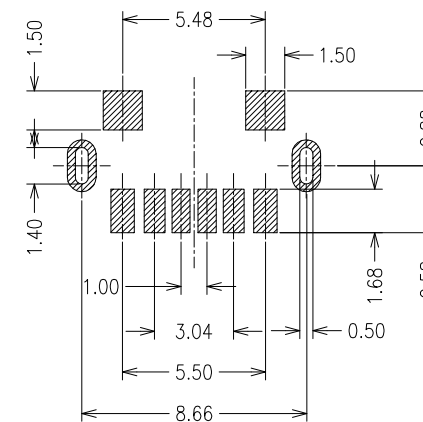
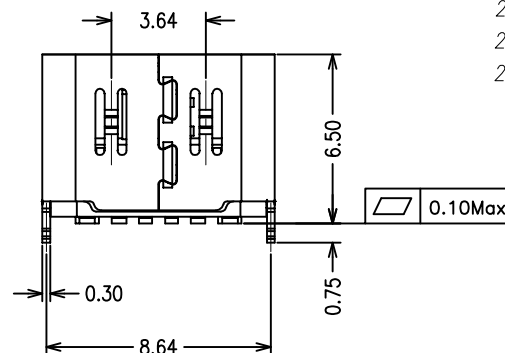
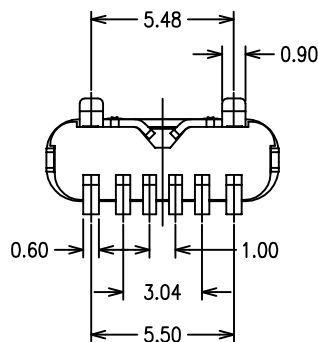
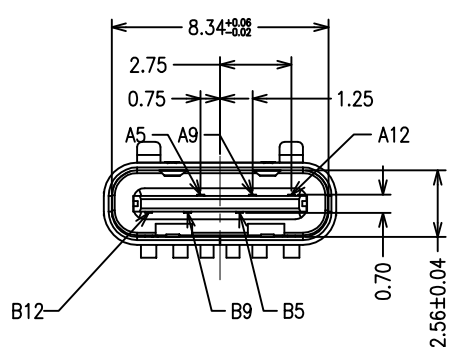
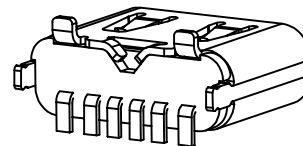
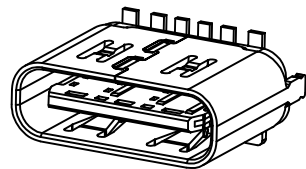
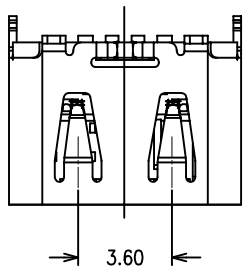


RoHS Compliant

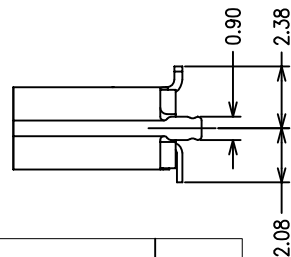
REVISIONS			
REV.	DESCRIPTION	DATE	DESIGN

SPECIFICATION

- ELECTRICAL CHARACTERISTICS:
  - VOLTAGE&CURRENT RATING:DC 30V MAX&3A
  - CONTACT RESISTANCE: 40mΩ MAX INITIAL.
  - INSULATION RESISTANCE: 1000MΩ MIN FOR VOLTAGE 100VDC.
  - DIELECTRIC WITHSTAND: 100V AC for 1 MINUTE
  - OPERATING TEMPERATURE: -25°C~+85°C
- MECHANICAL CHARACTERISTICS:
  - INSERT FORCE: 5-20N Max
  - WITHDRAW FORCE: 5-20N Min
  - LIFE TEST :3,000 CYCLES



A5	CC1	B12	GND
A9	VBUS	B9	VBUS
A12	GND	B5	CC2
PIN	SIGNAL NAME	PIN	SIGNAL NAME



PART NO. INFORMATION

**U06-C F X X 5 R - 023**

- PORT TYPE  
C: TYPE C
- GENDER  
F: FEMALE  
M: MALE
- CONTACT PLATED  
1: GOLD FLASH  
2: GOLD 3U"  
3: GOLD 5U"  
4: GOLD 10U"  
5: GOLD 15U"  
6: GOLD 30U"
- PACKAGE  
R: TAPE REEL
- HOUSING COLOR  
2: WHITE  
5: BLACK  
9: NATURE
- HOUSING MATERIAL  
A: LCP B: PBT  
C: PA9T D: PA6T  
E: PA46 F: PA66

RECOMMENDED P.C.B. LAYOUT  
TOLERANCE UNSPECIFIED ±0.05mm

NO.	DESCRIPTION	MATERIAL	REMARKS
3	MD	STAINLESS STEEL	
2	CONTACT	HIGH TEMPERATURE PLASTIC	BLACK 1SET
1	HOUSING	COPPER ALLOY	Au/Ni Plated 1PCS
		HIGH TEMPERATURE PLASTIC	BLACK 1PCS

**Bestcreate Technology Limited**

TOLERANCES UNLESS OTHERWISE SPECIFIED:

X.	± 0.30	X'	± 10'
.X	± 0.20	.X'	± 8'
.XX	± 0.10	.XX'	± 5'

Website:www.bsc-elec.com  
Email:bestcreate@bsc-elec.com

DESIGN: I. L  
DATE: 2017.3.1

CHECKED: C.W  
DATE: 2017.3.1

APPROVED: C.W  
DATE: 2017.3.1

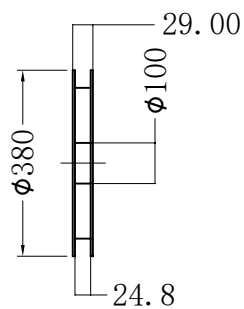
TITLE: USB CF 6P 180D SMT, H=6.50mm

MATERILA:	PART NO: U06-CFXX5R-023	SIZE: A4
FINSH:	DWG NO: U06-CFXX5R-023	SHEET: 1 OF 2

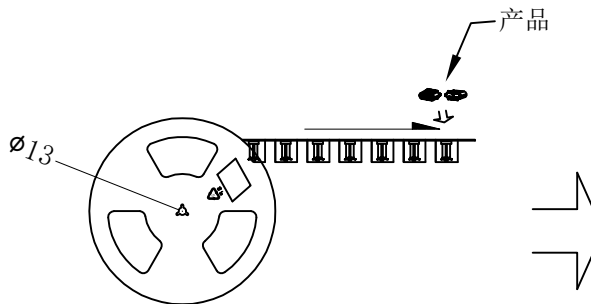
REV: A	UNIT mm	SCALE 1=1	QUALITY SYMBOLS
--------	---------	-----------	-----------------

RoHS Compliant

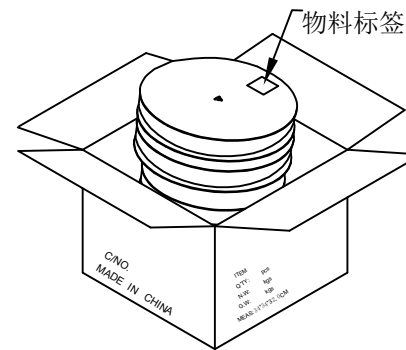
REVISIONS			
REV.	DESCRIPTION	DATE	DESIGN



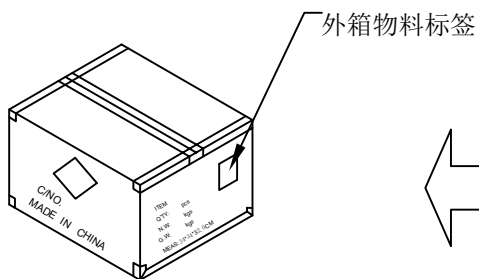
① 胶盘



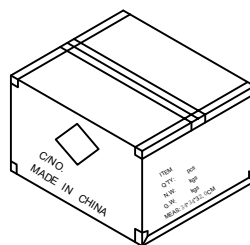
② 600pcs/盘



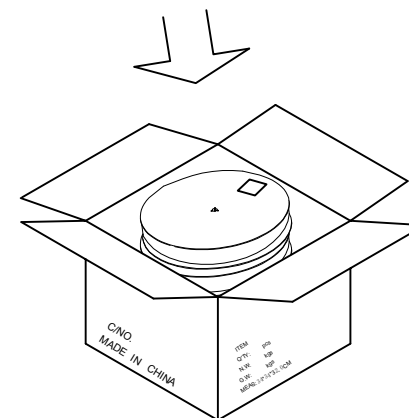
③ 10盘/箱 (6Kpcs)



⑥ 依图示粘贴产品或ROHS标签.



⑤ 外箱用透明胶纸带封“工”字型.



④ 每箱装10盘,若尾数箱在空间处加装填充物.

备注:

1. 胶盘规格: 外圆\*内圆\*厚: 380\*13\*22mm
2. 每箱装10盘 (6Kpcs);
3. 外箱尺寸: 长\*宽\*高: 34\*34\*32.0cm  
材质: A=B;
4. 外箱用透明胶纸带封“工”字型;
5. 依外箱图示位置粘贴好产品或ROHS标签.

**Bestcreate Technology Limited**

TOLERANCES UNLESS OTHERWISE SPECIFIED:

X.	± 0.30	X'	± 10°
.X	± 0.20	.X'	± 8°
.XX	± 0.10	.XX'	± 5°

Website: www.bsc-elec.com  
Email: bestcreate@bsc-elec.com

DESIGN: I. L  
DATE: 2017. 3. 1

CHECKED: C. W  
DATE: 2017. 3. 1

APPROVED: C. W  
DATE: 2017. 3. 1

TITLE: USB CF 6P 180D SMT, H=6.50mm

MATERILA: PART NO: U06-CFXX5R-023  
SIZE: A4

FINSH: DWG NO: U06-CFXX5R-023  
SHEET: 1 OF 2

REV: A	UNIT mm	SCALE 1=1	QUALITY SYMBOLS
--------	---------	-----------	-----------------