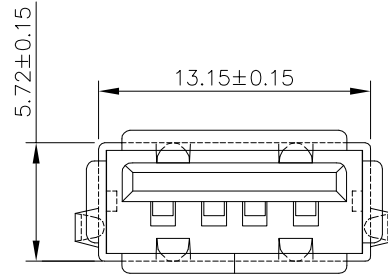
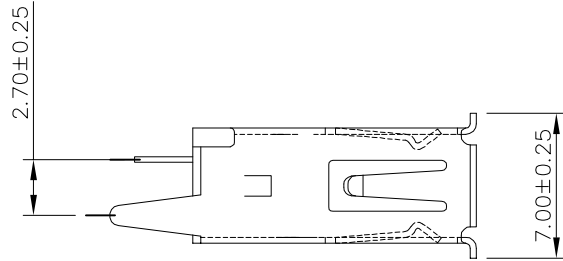


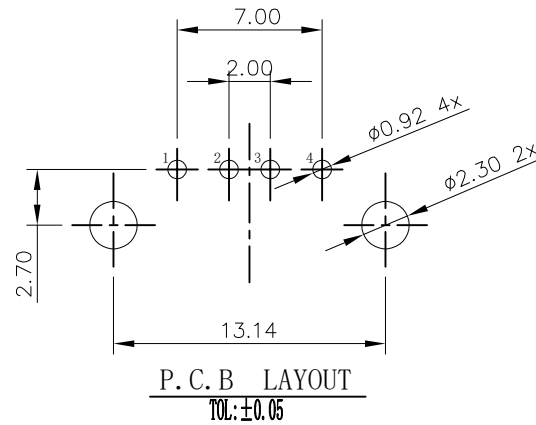
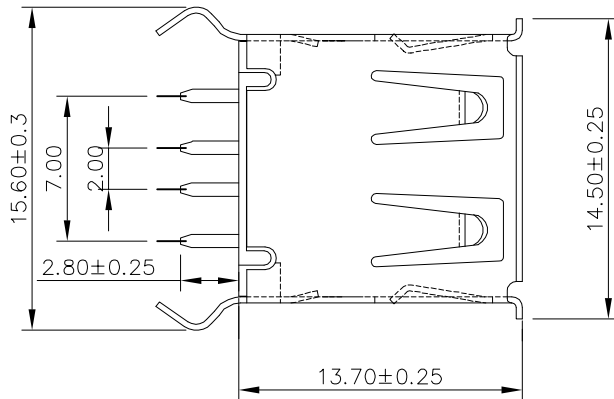
RoHS Compliant

REVISIONS			
REV.	DESCRIPTION	DATE	DESIGN



NOTE:

1. MATERIAL:
  - 1.1 INSULATOR:PBT & PA9T & LCP UL 94V-0
  - 1.2 CONTACT:COPPER ALLOY
  - 1.3 SHELL:BRASS&SPCC
2. ELECTRICAL CHARACTERISTICS:
  - 2.1 CONTACTRESISTANCE:30mΩ MAXIMUM
  - 2.2 CONTACT CURRENT RATING:1.5A
  - 2.3 DIELECTRIC WITHSTANDING VOLTAGE:100 V R. M. S.
  - 2.4 INSULATION RESISTANCE 100 MEGOHMS MIN
  - 2.5 OPERATING TEMPERATURE:-20° C ~ 60° C
3. PLATING
  - 3.1 TERMINAL:
    - 50u" MIN NICKEL ALL OVER
    - 100u"MIN Tin ON SOLDER AREA
    - (1~30)u"Au ON CONTACT AREA
  - 3.2 SHELL:100u"MIN.NICEL ALL OVER
4. "▼" FOR MAJOR DIM



PART NO. INFORMATION

U02-A F X X 5 T - 015 - V1

- PORT TYPE  
A: TYPE A
- GENDER  
F: FEMALE  
M: MALE
- CONTACT PLATED  
1: GOLD FLASH  
2: GOLD 3U"  
3: GOLD 5U"  
4: GOLD 10U"  
5: GOLD 15U"  
6: GOLD 30U"
- PACKAGE  
T: TRAY R: TAPE&REEL
- HOUSING COLOR  
2: WHITE  
5: BLACK  
9: NATURE
- HOUSING MATERIAL  
A: LCP B: PBT  
C: PA9T D: PA6T  
E: PA46 F: PA66

**Bestcreate Technology Limited**

TOLERANCES UNLESS OTHERWISE SPECIFIED:

X.	± 0.50	X.'	± 3'
.X	± 0.25	.X'	± 2'
.XX	± 0.15	.XX'	± 1'

Website:www.bsc-elec.com  
Email:bestcreate@bsc-elec.com

DESIGN: I.L. DATE: 2017.3.1  
CHECKED: C.W. DATE: 2017.3.1  
APPROVED: C.W. DATE: 2017.3.1

TITLE: USB 2.0 A/F 180°DIP L=13.7

MATERIALA: FINSH: U02-AFXX5T-015-V1  
PART NO: U02-AFXX5T-015-V1  
DWG NO: U02-AFXX5T-015-V1  
SIZE: A4

REV: A UNIT mm SCALE 1=1 QUALITY SYMBOLS