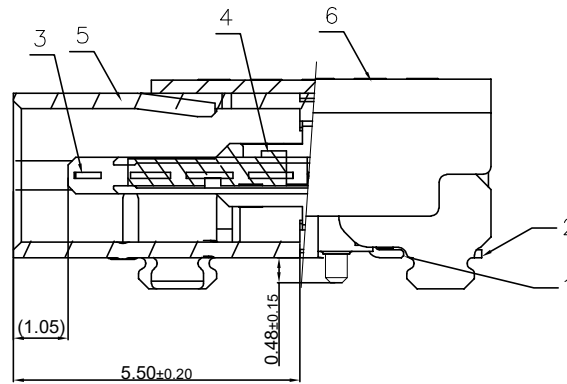
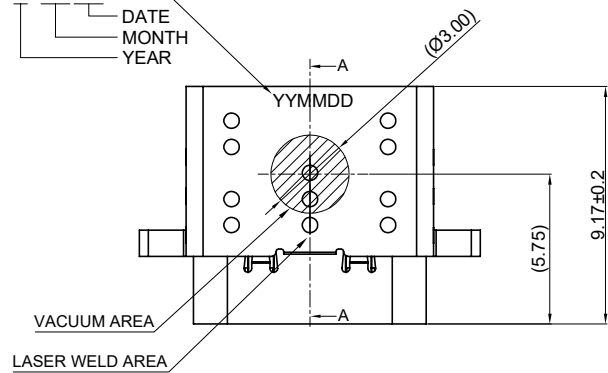
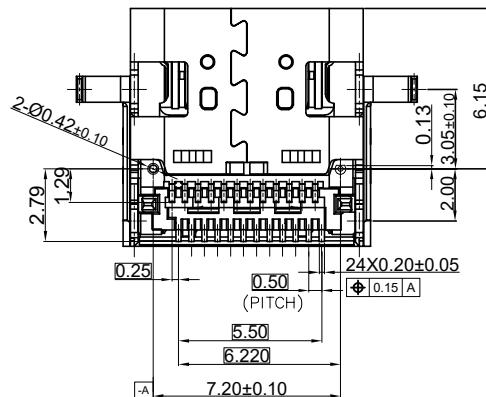
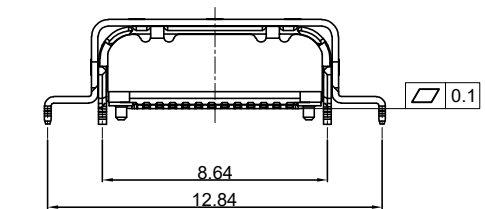
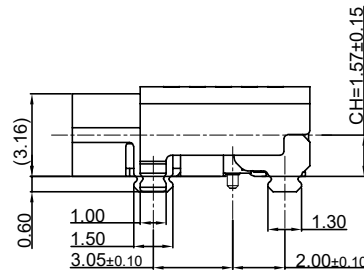
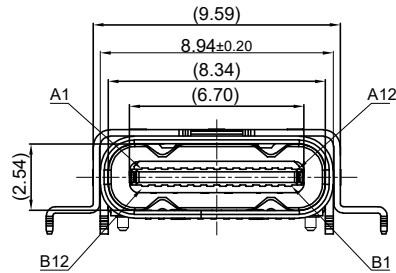


RoHS Compliant

Date Code:
YY MM DD
DATE
MONTH
YEAR



SECTION A-A(剖视图A-A)
SCALE 2:1 (比例 2:1)



PART NO. INFORMATION

U06-40 C F X X 5 R - 003

PORT TYPE
C: TYPE C

GENDER
F: FEMALE
M: MALE

CONTACT PLATED
1: GOLD FLASH
2: GOLD 3U"
3: GOLD 5U"
4: GOLD 10U"
5: GOLD 15U"
6: GOLD 30U"

PACKAGE
R: TAPE REEL

HOUSING COLOR
2: WHITE
5: BLACK
9: NATURE

HOUSING MATERIAL
A: LCP B: PBT
C: PA9T D: PA6T
E: PA46 F: PA66

ITEM	DESCRIPTION	QTY	MATERIAL	FINISH	REMARK
6	OUT SHELL	1	SUS304	NICKEL PLATING	0.25mm
5	INT SHELL	1	SUS304	NICKEL PLATING	0.3mm
4	MAIN HOUSING	1	PAST HF 30%鍍鉻, UL94 V-0, 黑色	-	COLOR:BLACK
3	MID PLATE	1	SUS301	-	0.15mm
2	BOTTOM TERMINAL	1	C18140	-	0.12mm
1	TOP TERMINAL	1	C18140	-	0.12mm
MATING SIDE-SEE PART NO. U06-40CFXX5R-002-V2					
SOLDER TAIL-GOLD FLASH, 30μ NICKEL OVERALL					

NOTES/注释:

- MATERIAL/材料: SEE TABLE/见下表
- GENERAL SPECIFICATION/通用特性:
 - COPLANARITY /共面度: 0.10 Max.
 - CURRENT RATING: 5A / 额定电流: 5安培
 - CONTACT RESISTANCE: 40mΩ MAX (INITIAL). INSULATION RESISTANCE: 100MΩ Min
接触电阻: 40毫欧最大(初始值) / 绝缘电阻: 100MΩ Min
 - DIELECTRIC WITHSTANDING VOLTAGE: 100 VAC
耐电压: 100伏交流
 - MECHANICAL CHARACTERISTICS:
INSERTION FORCE: 5~20N EXTRACTION FORCE: 8~20N
AFTER DURABILITY EXTRACTION FORCE: 6~20N
力学特性: 初始插入力: 5~20N 拔出力: 8~20N
耐久后拔出力: 6~20N

Bestcreate Technology Limited

TOLERANCES UNLESS OTHERWISE SPECIFIED:

.X	± 0.30	X'	± 5'
.XX	± 0.20	.X'	± 2'
.XXX	± 0.10	.XX'	± 1'

Website: www.bsc-elec.com
Email: bestcreate@bsc-elec.com

DESIGN: I. L. DATE:

CHECKED: C. W. DATE:

APPROVED: C. W. DATE:

TITLE:
USB4.0 TYPE C 24P FEMALE CONNECTOR DUAL SMT,
TOP MOUNT, CL=1.57MM, L=9.17MM, TAIL LENGTH=0.6MM

MATERIAL: PART NO: U06-40CFXX5R-002-V2 SIZE: A4
FINISH: DWG NO: U06-40CFXX5R-002-V2 1 OF 3

REV: A UNIT mm SCALE 1=1 QUALITY SYMBOLS