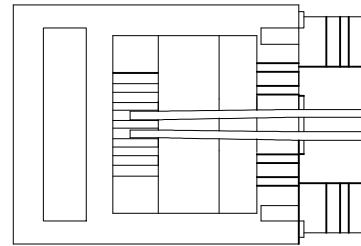
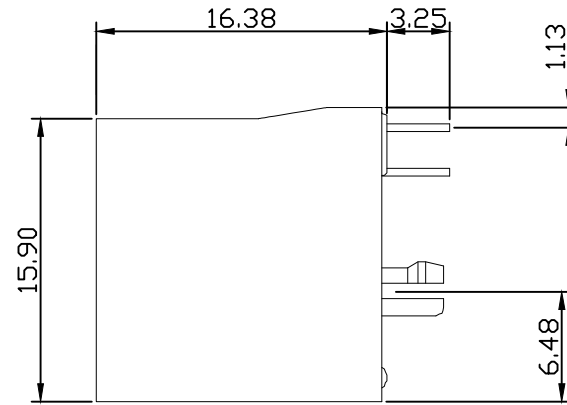
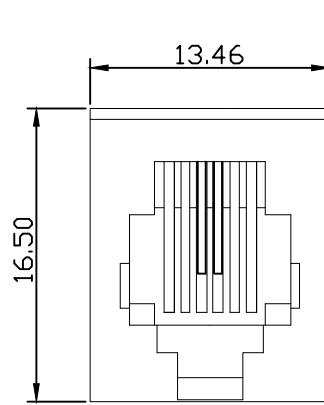
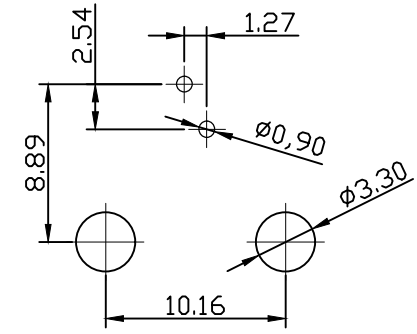


RoHS Compliant



REVISIONS			
REV.	DESCRIPTION	DATE	DESIGN



PCBLAYOUT
TOL:±0.05

NOTES:

MATERIAL:

- HOUSING MATERIAL :PBT,(UL 94V-0)
- CONTACT MATERIAL :ROUND PINS-0.46mm DIAMETER
PHOSPHOR BRONZE;
GOLD PLATING OVER NICKEL

ELECTRICAL PHYSICAL:

- VOLTAGE RATING :125 VAC RMS
- CURRENT RATING :1.5 AMP
- CONTACT RESISTANCE :30MILLIOHMS MAX2
- INSULATION RESISTANCE :500MEGOHMS MIN @ 500VDC
- DIELECTRIC WITHSTANDING
RISISTANCE :1000V AC RMS 60Hz 1MIN
- DURABILITY :750 CYCLES MIN
- TEMPERATURE :-40 ° C/+ 85° C

PART NO. INFORMATION

RJ01- X 5 X X - 066

CONTACT PLATED
1: G/F 2: AU 3U"
3: AU 6U"

HOUSING:
1:PBT BLACK
2:PBT GREY

PACKAGE
R: TAPE REEL
T: TRAY

Bestcreate Technology Limited

TOLERANCES UNLESS OTHERWISE SPECIFIED:

.X	±	0.35	X.*	±	3"
.XX	±	0.25	.X*	±	2"
.XXX	±	0.15	.XX*	±	1"

Website: www.bsc-elec.com
Email: bestcreate@bsc-elec.com

DESIGN:	DATE:
I. L	2017. 3. 1
CHECKED:	DATE:
C. W	2017. 3. 1
APPROVED:	DATE:
C. W	2017. 3. 1

TITLE: VERTICAL RJ45 8P8C FEMALE CONNECTOR DIP TYPE		
MATERILA:	PART NO: RJ01-X5XX-066	SIZE: A4
FINSH:	DWG NO: RJ01-X5XX-066	

REV: A	UNIT mm	SCALE 1=1	QUALITY SYMBOLS	
-----------	------------	--------------	--------------------	--