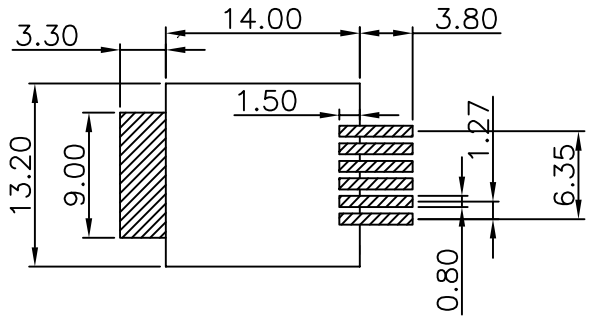
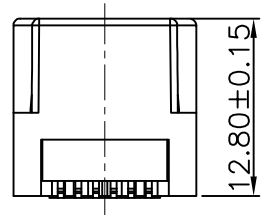
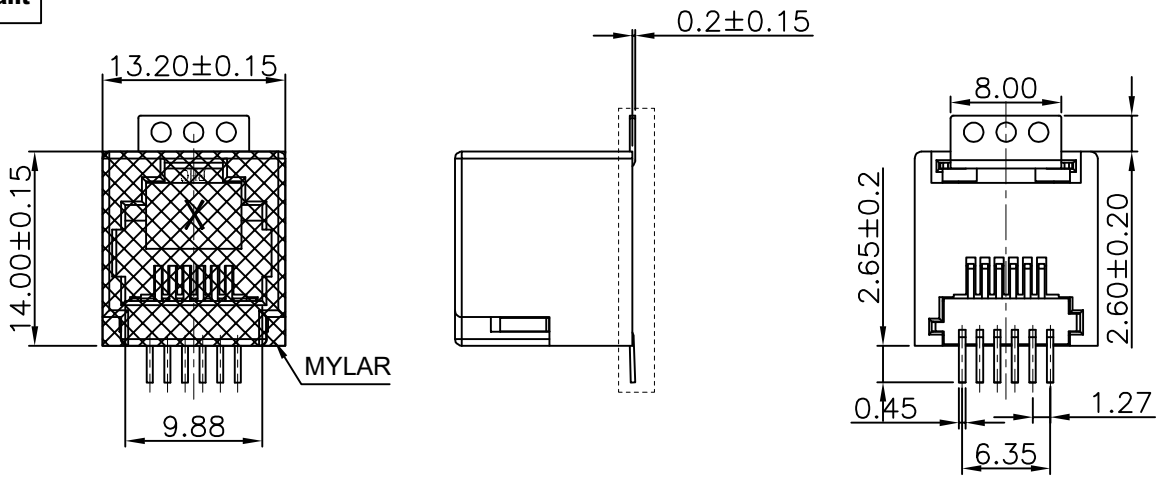
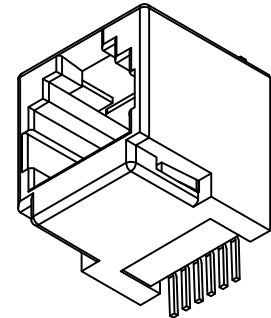


RoHS Compliant



PCBLAYOUT
TOL:±0.05



REVISIONS			
REV.	DESCRIPTION	DATE	DESIGN

- ELECTRICAL**
- VOLTAGE RATING:125 VAC RMS.
 - CURRENT RATING:1.5 AMP.
 - CONTACT RESISTANCE:30 mΩ MAX.
 - INSULATION RESISTANCE: 1000MΩ MIN.

- ENVIRONMENTAL**
- STORAGE TEMPERATURE: -40°C~+85°C
RELATIVE HUMIDITY<80%
 - WORKING TEMPERATURE: -40°C~+85°C
WELDING TEMPERATURE: 260±5°C 5~10S

- MECHANICAL**
- MATING/UNMATING FORCE:2.2 Kgf MAX
 - DURIABILITY:750 MATING CYCLES
 - MATING FORCE:45N MIN

MATERIAL:
 HOUSING:LCP BLACK UL94V-0
 CONTACT : C5191 T=0.35±0.01 PLATING AU/TIN 3u"/6u"
 HOOK:C2680 T=0.35 NI/SN PLATING.
 RoHS APPROVED.

PART NO. INFORMATION

RJ01- X 5 1 X - 035

- CONTACT PLATED**
- 1: G/F 2: AU 3U"
 - 3: AU 6U" 4: AU 15U"
 - 5: AU 30U"
- HOUSING:**
1:LCP BLACK
- PACKAGE**
R: TAPE REEL
T: TRAY

Bestcreate Technology Limited

TOLERANCES UNLESS OTHERWISE SPECIFIED:

.X	± 0.30	.X'	± 3'
.XX	± 0.20	.X''	± 2'
.XXX	± 0.10	.XX'	± 1'

Website: www.bsc-elec.com
 Email: bestcreate@bsc-elec.com

DESIGN:	DATE:
I. L	2017. 3. 1
CHECKED:	DATE:
C. W	2017. 3. 1
APPROVED:	DATE:
C. W	2017. 3. 1

TITLE: VERTICAL SMT RJ11 6P6C FEMALE CONNECTOR W=13.2MM		
MATERILA:	PART NO: RJ01-X51X-035	SIZE: A4
FINSH:	DWG NO: RJ01-X51X-035	

REV: A	UNIT mm	SCALE 1=1	QUALITY SYMBOLS
--------	---------	-----------	-----------------