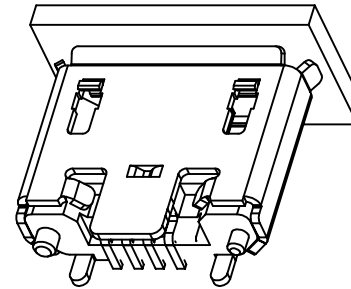
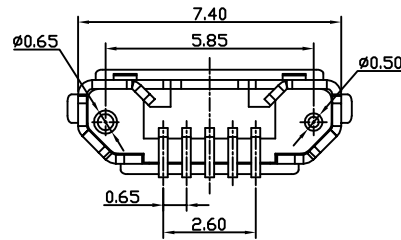
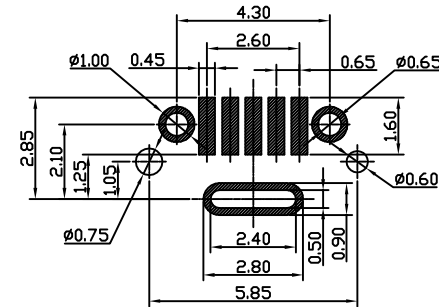
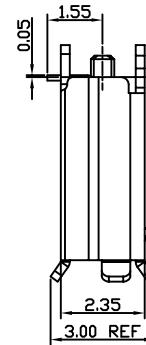
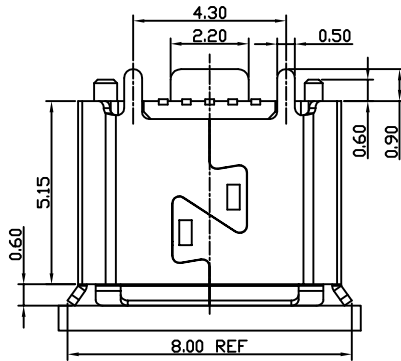
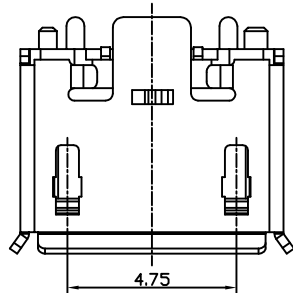


RoHS Compliant

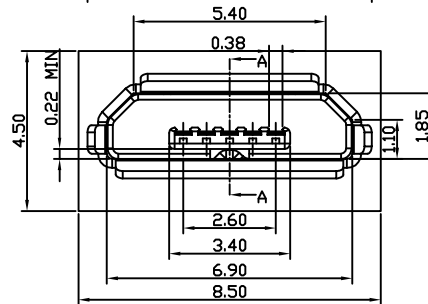
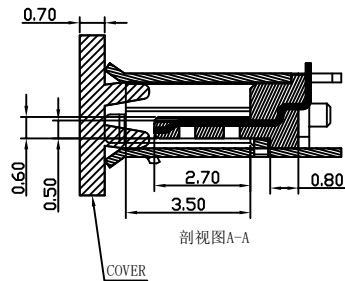
REVISIONS			
REV.	DESCRIPTION	DATE	DESIGN



Note:  
 Material:  
 Housing: High temperature thermoplastic with g.f,UL94v-0  
 Contact: copper alloy,t=0.15mm  
 Shell:SUS201,t=0.25mm  
 Specification:  
 Current rating: 1 A Max.  
 Dielectric withstanding voltage: 100 V(ac) for 1 min.  
 Contact resistance: 30 MW, Max.  
 Insulation resistance: 100 MW, Min.  
 Total mating force: 3.57 Kgf Max.  
 Total unmating force: 1.0 Kgf Min  
 Temperature range: -30°C~80°C



RECOMMENDED PCB LAYOUT  
 PCB所有尺寸公差±0.05



PART NO. INFORMATION

**U01-B F X X 5 R - 1001**

- PORT TYPE  
B: TYPE B
- GENDER  
F: FEMALE  
M: MALE
- CONTACT PLATED  
1: GOLD FLASH  
2: GOLD 3U"  
3: GOLD 5U"  
4: GOLD 10U"  
5: GOLD 15U"  
6: GOLD 30U"
- PACKAGE  
R: TAPE REEL
- HOUSING COLOR  
2: WHITE  
5: BLACK  
9: NATURE
- HOUSING MATERIAL  
A: LCP B: PBT  
C: PA9T D: PA6T  
E: PA46 F: PA66

**Bestcreate Technology Limited**

TOLERANCES UNLESS OTHERWISE SPECIFIED:

X.	± 0.50	X'	± 3'
.X	± 0.30	.X'	± 2'
.XX	± 0.20	.XX'	± 1'

Website:www.bsc-elec.com  
 Email:bestcreate@bsc-elec.com

DESIGN:	I. L	DATE:	2017.3.1
CHECKED:	C. W	DATE:	2017.3.1
APPROVED:	C. W	DATE:	2017.3.1

TITLE: MIRCO USB 5F B TYPE 180D Vertical SMT		
MATERILA:	PART NO: U01-BFXX5R-1001	SIZE: A4
FINSH:	DWG NO: U01-BFXX5R-1001	

REV: A	UNIT mm	SCALE 1=1	QUALITY SYMBOLS	
-----------	------------	--------------	-----------------	--