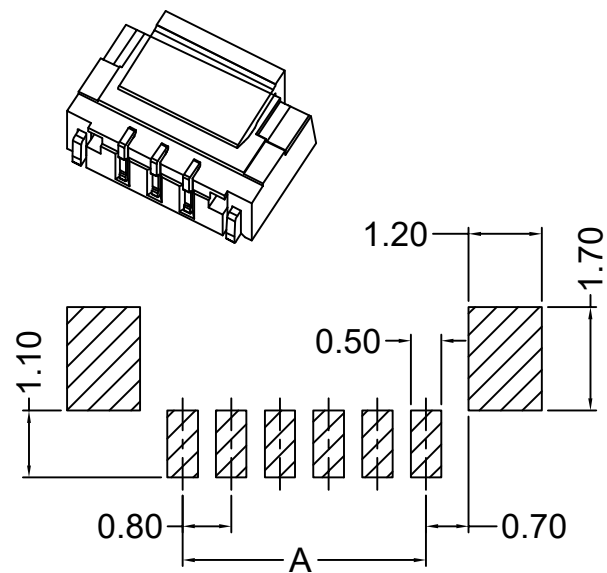
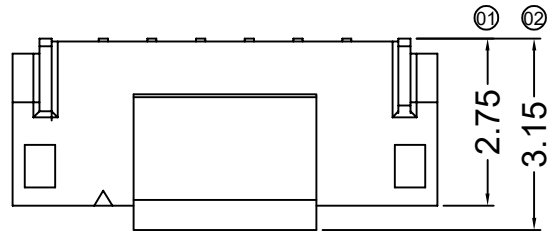
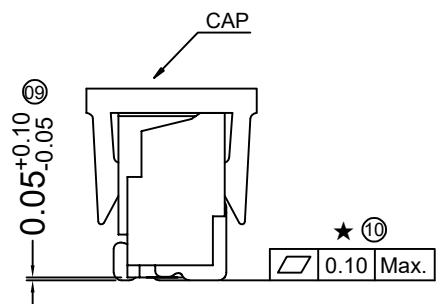
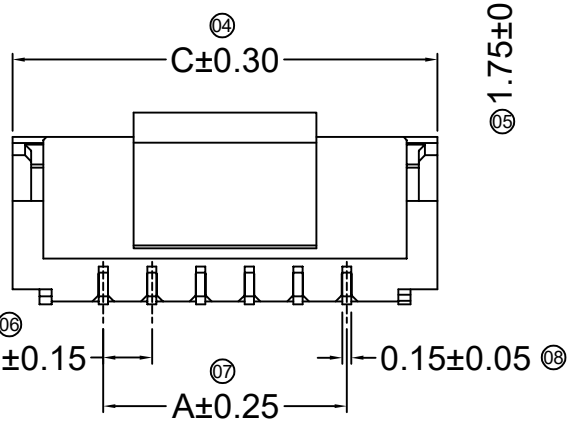
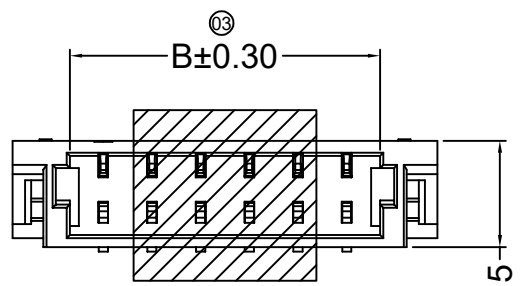


RoHS Compliant

REVISIONS			
REV.	DESCRIPTION	DATE	DESIGN



Recommended P.C.B Layout
General Tolerance±0.05



■ Specification

- Voltage Rating : 30V AC/DC
- Current Rating : 0.5A(32AWG) / 0.2A(36AWG) AC/DC
- Withstanding Voltage : 200V AC /minute
- Insulation Resistance : ≥100MΩ
- Temperature Range : - 25°C to + 85°C
- Contact Resistance : ≤20mΩ
- After Environmental Testing: ≤40mΩ
- Suitable Wire/Cable:AWG #32 to #36,OD:0.39mm max

■ Ordering Information

A0801 W V S - XX XX - XX XX XX - XX XX- XX
1 2 3 4 5 6 7 8 9 10 11 12

- 1.A0801:Series No.
- 2.Category:W-Wafer
- 3.Soldering PCB Angle:V-Vertical angle/Straight 180°
- 4.Soldering method:S-SMD/SMT, Surface Mount Technology
- 5.Number of rows&pins:XX
- 6.Plug the pin & Special No.:Blank-Ordinary;S-with Slot
- 7.Material(Insulators):LP-LCP,UL94V-0;6T-PA6T,UL94V-0
- 8.Color:Blank-Natural;BK-Black
- 9.Environmental protection Standard:Blank-Ordinary
- RoHS;HF-Halogen Free
- 10.Material(Pin):PB-Phosphor Bronze
- 11.Plating :SN-Bright Tin Plated;AU-Gold flash;AU3-Gold 3U"
- 12.Package:Blank-Tape&Reel with Cap,SPQ:2K/reel preferred

Poles	Dimensions (mm)			Poles	Dimensions (mm)		
	A	B	C		A	B	C
02	0.80	1.90	3.78	12	8.80	9.90	11.78
03	1.60	2.70	4.58	13	9.60	10.70	12.58
04	2.40	3.50	5.38	14	10.40	11.50	13.38
05	3.20	4.30	6.18	15	11.20	12.30	14.18
06	4.00	5.10	6.98	16	12.00	13.10	14.98
07	4.80	5.90	7.78	17	12.80	13.90	15.78
08	5.60	6.70	8.58	18	13.60	14.70	16.58
09	6.40	7.50	9.38	19	14.40	15.50	17.38
10	7.20	8.30	10.18	20	15.20	16.30	18.18
11	8.00	9.10	10.98				

Bestcreate Technology Limited

TOLERANCES UNLESS OTHERWISE SPECIFIED:

.X	± 0.30	X'	± 3'
.XX	± 0.20	.X'	± 2'
.XXX	± 0.10	.XX'	± 1'

Website:www.bsc-elec.com
Email:bestcreate@bsc-elec.com

DESIGN: I. L
CHECKED: C. W
APPROVED: C. W
DATE: 2017. 3. 1
DATE: 2017. 3. 1
DATE: 2017. 3. 1

TITLE: 0.8MM(.031")PITCH PCB HEADER/WAFER V/A SMD/SMT
MATERILA: A0801WVS-XXXX-XXXXXX-XXXX-XX
PART NO: A0801WVS-XXXX-XXXXXX-XXXX-XX
DWG NO: A0801WVS-XXXX-XXXXXX-XXXX-XX
SIZE: A4

REV: A
UNIT: mm
SCALE: 1=1
QUALITY SYMBOLS