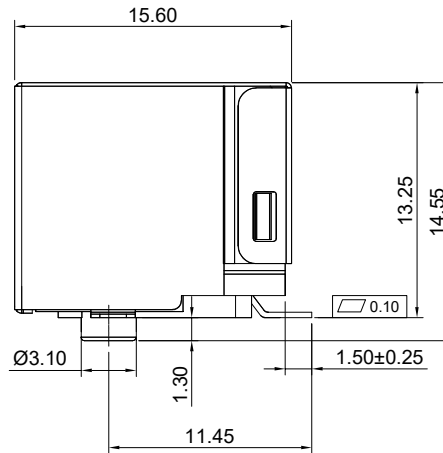
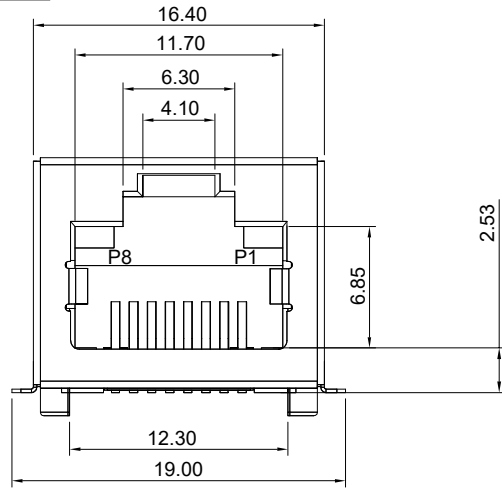


RoHS Compliant

REVISIONS			
REV.	DESCRIPTION	DATE	DESIGN



**SPECIFICATION NOTES:**

**ELECTRICAL:**

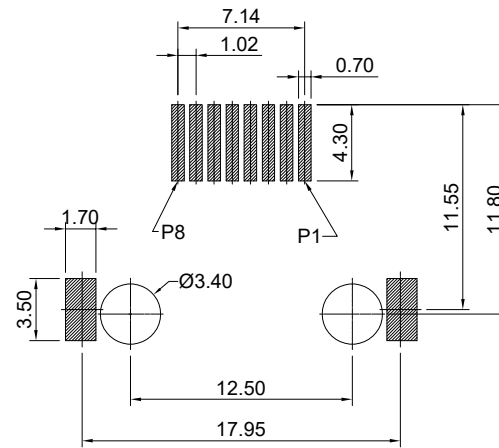
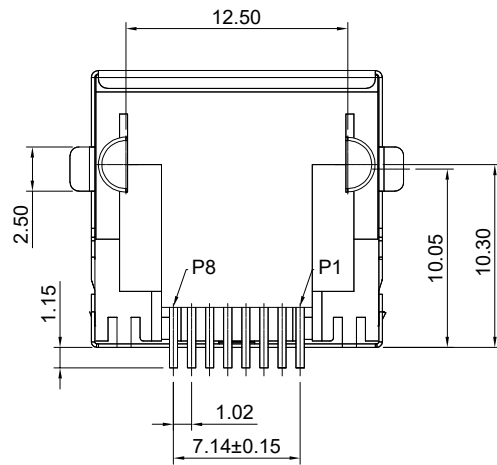
- 1.VOLTAGE RATING: 125 VAC RMS
- 2.CURRENT RATING: 1.5 AMP
- 3.CONTACT RESISTANCE: 20mΩ MAX.
- 4.INSULATION RESISTANCE: 1000MΩ MIN. AT500V DC.
- 5.DIELECTRIC STRENGTH:  
500V DC RMS AT 0.5mA 50 Hz / 60 Hz FOR 1MINUTE

**MECHANICAL:**

- 1.HOUSING:LCP BLACK, UL 94V-0
- 2.CONTACT:PHOSPHOR BRONZE T=0.30MM
- 3.PLATING: GOLD PLATING AT CONTACT AREA, MATTE TIN AT TAIL 100U MIN., NICKEL 30U MIN. OVER ALL.
- 4.SHELL:BRASS T=0.20
- 5.OPERATING LIFE:750 CYCLES MIN.
- 6.MATING/UNMATING FORCE: 30N/3.06KGf MAX.
- 7.RETENTION STRENGTH:50N OR 30N MIN.FOR 60S±5S

**ENVIRONMENTAL:**

- 1.STORAGE:-40°C TO +85°C RELATIVE HUMIDITY<80%
- 2.GUARANTEE PERIOD:12 MONTHS
- 3.OPERATION: -40°C TO +85°C
- 4.MANUAL SOLDERING PARAMETERS:24H IR TEMPERATURE: 255±5°C 5~10 SECONDS.



RECOMMENDED PCB LAYOUT

PTOLERANCE=±0.05

**PART NO. INFORMATION**

**RJ01- X 5 0 X - 087**

CONTACT PLATED

- 1: G/F 2: AU 3U"  
3: AU 6U" 4: AU 15U"  
5: AU 30U"

PACKAGE  
R: TAPE REEL  
T: TRAY

**Bestcreate Technology Limited**

**TOLERANCES UNLESS OTHERWISE SPECIFIED:**

.X	± 0.35	X.*	± 3'
.XX	± 0.25	.X.*	± 2'
.XXX	± 0.15	.XX.*	± 1'

Website:www.bsc-elec.com

Email:bestcreate@bsc-elec.com

DESIGN: I.L DATE: 2017. 3. 1

CHECKED: C.W DATE: 2017. 3. 1

APPROVED: C.W DATE: 2017. 3. 1

TITLE: RJ45 CONNECTOR  
SMT TYPE A FEMALE

MATERILA: PART NO: RJ01-X50X-087

FINSH: DWG NO: RJ01-X50X-087

SIZE: A4

REV: A UNIT mm SCALE 1=1 QUALITY SYMBOLS

