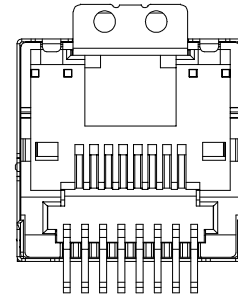
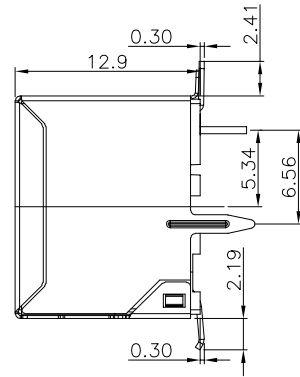
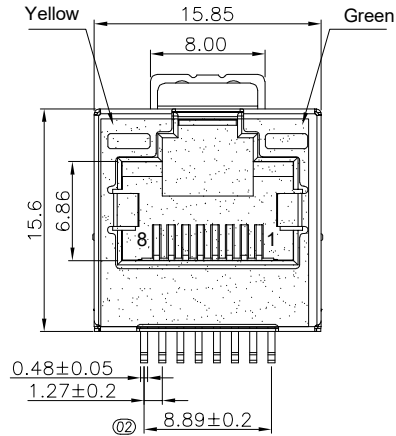


RoHS Compliant

REVISIONS			
REV.	DESCRIPTION	DATE	DESIGN



NOTES

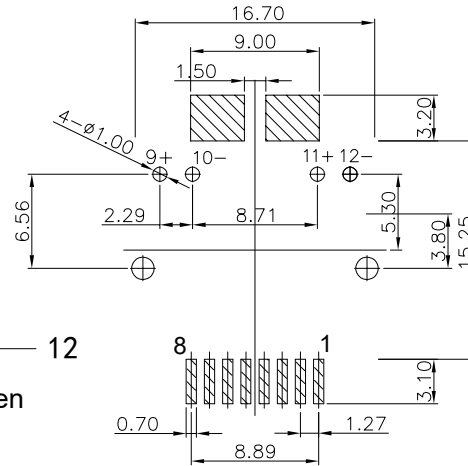
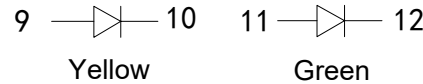
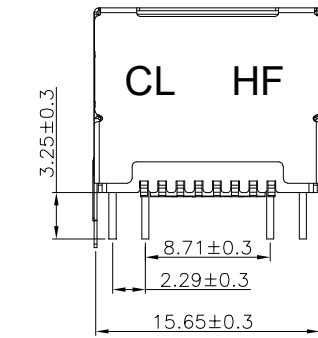
- ELECTRICAL**
- 1. VOLTAGE RATING : 125 VAC RMS.
 - 2. CURRENT RATING : 1.5 AMP.
 - 3. CONTACT RESISTANCE : 40 MILLIOHMS MAX.
 - 4. INSULATION RESISTANCE : 500 MEGOHMS MIN @ 100V DC .
 - 5. DIELECTRIC DIELECTRIC RESISTANCE : 500V DC RMS 50Hz. 1MIN.

MECHANICAL

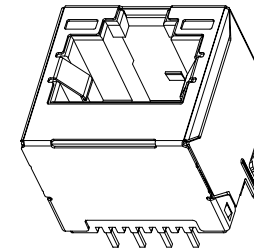
- 1. DURRABILITY : 750 CYCLES MIN.
- 2. MATING/UNMATING FORC: 2.24 KG. F MAX.

ENVIRONMENTAL :

- 1. OPERATION : -40°C ~ +85°C.
- 2. STORAGE : -40°C ~ +85°C.



PCBLAYOUT T=1.6
TOL:±0.05



Standard LED Color	LED Wavelength	Foward(A)	Foward(V)
Green	568nm	20mA	1.85-2.45V
Yellow	585nm	20mA	1.7-2.2V

NO.	PART NAME	Q'TY	MATERIAL	PLATING & COLOR
6	1.4x3.2x4.0 平头半透明亮锡绿灯	1	SPCC T=0.5mm	胶体半透明绿色发绿光
5	1.4x3.2x4.0 平头半透明亮锡黄灯	1	SPCC T=0.5mm	胶体半透明黄色发黄光
4	RJ45 立式12.7H DIP有灯外壳	1	C2680 T=0.35mm	镍50u"
3	RJ45 立式12.7H端子	8	C5191 T=0.35mm	Au/亮锡100u"/Ni 50u"
2	RJ45 立式12.7H DIP插芯半成品	1	LCP UL94V-0	
1	RJ45 立式12.7H有柱有灯主体	1	LCP UL94V-0	

PIN序	说明
8	—
7	—
6	RX-
5	—
4	—
3	RX+
2	TX-
1	TX+

PART NO. INFORMATION

RJ01-X1AX-086

CONTACT PLATED

- 1: G/F 2: AU 3U"
- 3: AU 5U" 4: AU 10U"
- 5: AU 15U" 6: AU 30U"

- PACKAGE
R: TAPE REEL
T: TRAY

- LED COLOR:
1:L-YELLOW R-GREEN
2:L-GREEN R-YELLOW

- HOUSING:
A:LCP BLACK B:PA9T BLACK
C:PBT BLACK

Bestcreate Technology Limited

TOLERANCES UNLESS OTHERWISE SPECIFIED:

.X	± 0.35	.X'	± 3'
.XX	± 0.25	.X''	± 2'
.XXX	± 0.15	.XX''	± 1'

Website:www.bsc-elec.com

Email:bestcreate@bsc-elec.com

DESIGN: I.L DATE: 2017. 3. 1

CHECKED: C.W DATE: 2017. 3. 1

APPROVED: C.W DATE: 2017. 3. 1

TITLE: VERTICAL SMT RJ4 CONNECTOR
12.7H SMT WITH LEDs

MATERIAL: PART NO: RJ01-X1AX-086 SIZE: A4

FINISH: DWG NO: RJ01-X1AX-086

REV:	UNIT	SCALE	QUALITY SYMBOLS
A	mm	1=1	