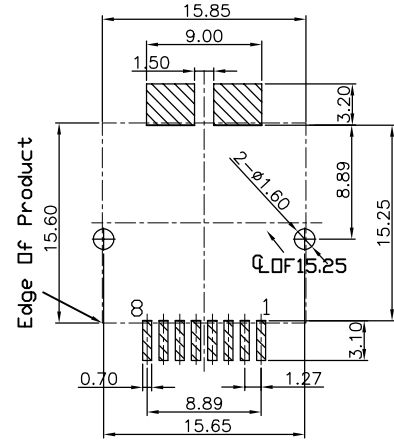
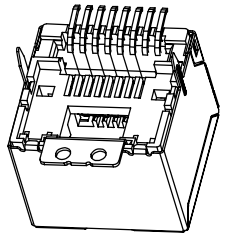
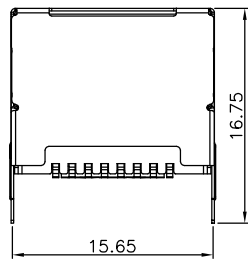
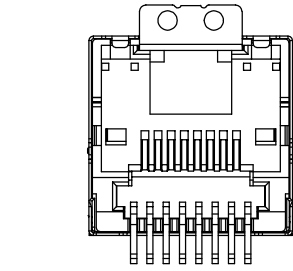
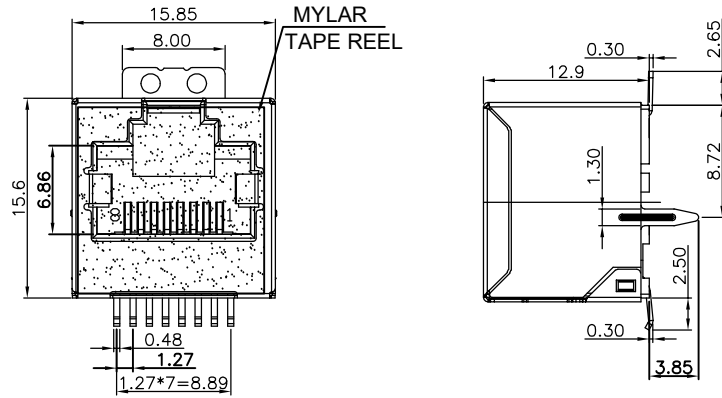


RoHS Compliant

REVISIONS			
REV.	DESCRIPTION	DATE	DESIGN



PCBLAYOUT T=1.6
TOL:±0.05

NOTES
ELECTRICAL
1. VOLTAGE RATING : 125 VAC RMS.
2. CURRENT RATING : 1.5 AMP.
3. CONTACT RESISTANCE : 40 MILLIOHMS MAX.
4. INSULATION RESISTANCE : 500 MEGOHMS MIN @ 100V DC .
5. DIELECTRIC DIELECTRIC RESISTANCE : 500V DC RMS 50Hz. 1MIN.
MECHANICAL
1. DURRABILITY : 750 CYCLES MIN.
2. MATING/UNMATING FORC: 2.24 KG.F MAX.
ENVIRONMENTAL:
1. OPERATION : -40°C~+85°C.
2. STORAGE : -40°C~+85°C.

PART NO. INFORMATION

RJ01- X 5 0 X - 107

CONTACT PLATED
1: G/F 2: AU 3U"
3: AU 6U" 4: AU 15U"
5: AU 30U"
PACKAGE
R: TAPE REEL
T: TRAY

8	—
7	—
6	RX-
5	—
4	—
3	RX+
2	TX-
1	TX+
PIN序说明	

5	RJ45 立式12.7H DIP无灯外壳	1	C2680 T=0.2mm	镍40u"
4	RJ45 立式12.7H接地片	1	C2680 T=0.35mm	亮锡100u"
3	RJ45 立式12.7H端子	8	C5191 T=0.35mm	Au/亮锡100u"/NI 50u"
2	RJ45 立式12.7H SMT插芯半成品	1	LCP UL94V-0	BLACK
1	RJ45 立式12.7H无柱有灯主体	1	LCP UL94V-0	BLACK
NO.	PART NAME	Q'TY	MATERIAL	PLATING & COLOR

Bestcreate Technology Limited				TOLERANCES UNLESS OTHERWISE SPECIFIED:		DESIGN: I. L	DATE: 2017. 3. 1	TITLE: VERTICAL SMT RJ45 CONNECTOR 1. 27H	
				.X ± 0.35	.X' ± 3'	CHECKED:	DATE:	MATERILA:	PART NO: RJ01-X50X-107
REV: A				UNIT: mm	SCALE: 1=1	QUALITY SYMBOLS	Website: www.bsc-elec.com	APPROVED: C. W	DATE: 2017. 3. 1
FINSH: A				DWG NO: RJ01-X50X-107		Email: bestcreate@bsc-elec.com		C. W 2017. 3. 1	