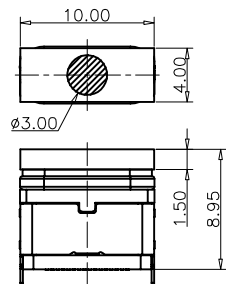
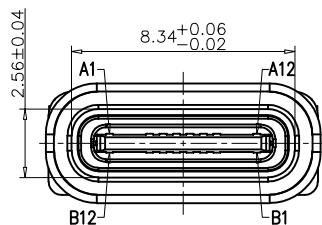
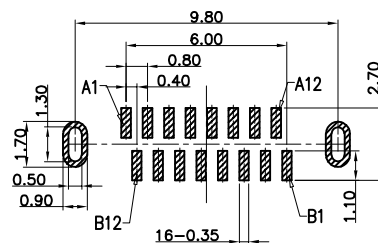


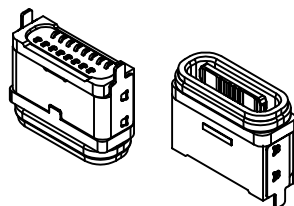
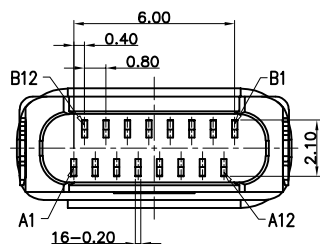
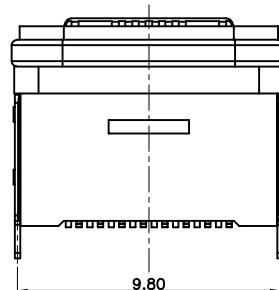
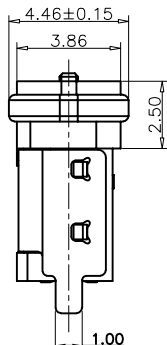
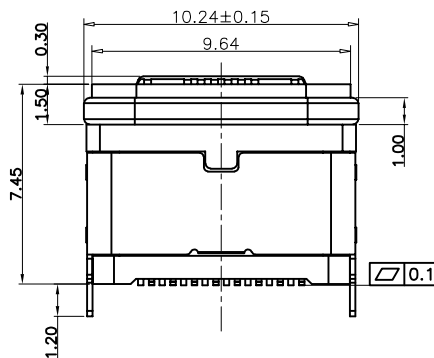
RoHS Compliant



装前塞示意图



RECOMMEND P.C.B LAYOUT
TOLERANCE UNSPECIFIED ±0.05mm



PART NO. INFORMATION

U06-C F X X 5 R - W083

PORT TYPE
C: TYPE C

GENDER
F: FEMALE
M: MALE

CONTACT PLATED
1: GOLD FLASH
2: GOLD 3U"
3: GOLD 5U"
4: GOLD 10U"
5: GOLD 15U"
6: GOLD 30U"

PACKAGE
R: TAPE REEL

HOUSING COLOR
2: WHITE
5: BLACK
9: NATURE

HOUSING MATERIAL
A: LCP B: PBT
C: PA9T D: PA6T
E: PA46 F: PA66

REVISIONS

REV.	DESCRIPTION	DATE	DESIGN

NOTES:

SPECIFICATION:

- CURRENT RATING: 3.0 A
- VOLTAGE RATING: 3.0 V
- VBUS & GND PINS AND OTHER PINS: 40mΩ/PIN MAX
SHIELD: 50mΩ/MAX
LLCR MAX. CHANGE OF ALL PINS: 10Ωm
- INSULATION RESISTANCE: 100MΩ MIN
- DIELECTRIC WITHSTAND VOLTAGE, AC 100V FOR 1MINUTE
- INSERTION FORCE: 0.5~2.0kgf
- UNMATING FORCE: 0.8-2.0kgf
- DURABILITY: 10000 CYCLES
- OPERATING TEMPERATURE: -35°C~+85°C
- THE PEAK TEMPERATURE ON THE BOARD SHALL BE MAINTAINED FOR 10 SECONDS AT 210-230°C
- WATERPROOF: IP-X7.

USB TYPE C PIN ASSIGNMENTS

PIN NUMBER	SIGNAL NAME	PIN NUMBER	SIGNAL NAME
A1	GND	B12	GND
A4	VBUS	B9	VBUS
A5	CC1	B8	SBU2
A6	DP1	B7	DN2
A7	DN1	B6	DP2
A8	SBU1	B5	CC2
A9	VBUS	B4	VBUS
A12	GND	B1	GND

TABLE:

NO	PART	Q'TY	Material
1	PLASTIC SHELL	1	PA46 UL94 V-0 BLACK
2	CONTACT	16	C2680,TIN80u"/Au3u"/NI30u"PLATED
3	MID PLATE	1	SUS301,NO PLATING
4	HOUSING	1	LCP UL94 V-0 BLACK
5	SHIELDING PLATE	1	SUS,NI PLATED
6	WATERPROOF RING	1	SILICONE UL94 V-0 RED
7	CAP	1	LCP UL94 V-0 BLACK

Bestcreate Technology Limited

TOLERANCES UNLESS OTHERWISE SPECIFIED:

.X	± 0.20	X.*	± 5'
.XX	± 0.15	.X'	± 2'
.XXX	± 0.10	.XX'	± 1'

Website: www.bsc-elec.com
Email: bestcreate@bsc-elec.com

DESIGN: I. L DATE:

CHECKED: C. W DATE:

APPROVED: C. W DATE:

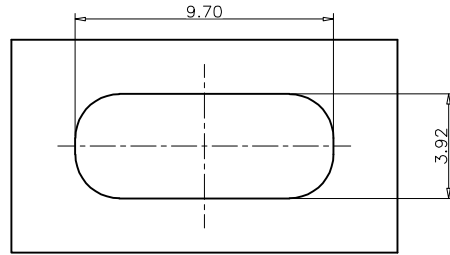
TITLE: IPX7 WATERPROOF 16PUSB C FEMALE CONNECTOR VERTICAL SMT,H=7.45MM

MATERIAL:	PART NO: U06-CFXX5R-W083-V1	SIZE: A4
FINISH:	DWG NO: U06-CFXX5R-W083-V1	1 OF 3

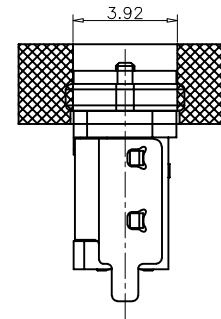
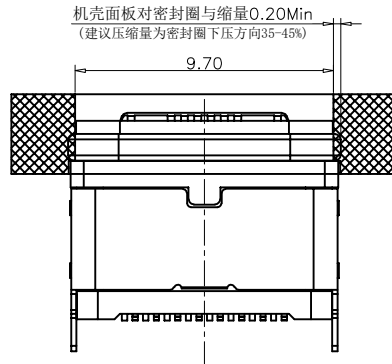
REV: A	UNIT mm	SCALE 1=1	QUALITY SYMBOLS
--------	---------	-----------	-----------------

RoHS Compliant

REVISIONS			
REV.	DESCRIPTION	DATE	DESIGN



密封开孔参考尺寸(只供参考)
 组装外壳时需要打环保润滑油



Bestcreate Technology Limited

TOLERANCES UNLESS OTHERWISE SPECIFIED:

.X	± 0.20	.X'	± 5'
.XX	± 0.15	.X''	± 2'
.XXX	± 0.10	.XXX'	± 1'

Website: www.bsc-elec.com
 Email: bestcreate@bsc-elec.com

DESIGN: I. L. DATE: DATE:

CHECKED: C. W. DATE: DATE:

APPROVED: C. W. DATE: DATE:

TITLE: IPX7 WATERPROOF 16PUSB C FEMALE CONNECTOR VERTICAL SMT, H=7.45MM

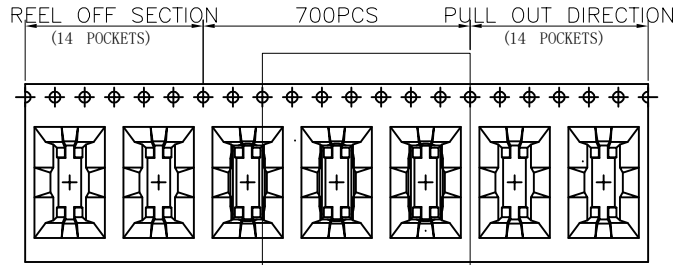
MATERILA: PART NO: U06-CFXX5R-W083-V1 SIZE: A4

FINSH: DWG NO: U06-CFXX5R-W083-V1 2 OF 3

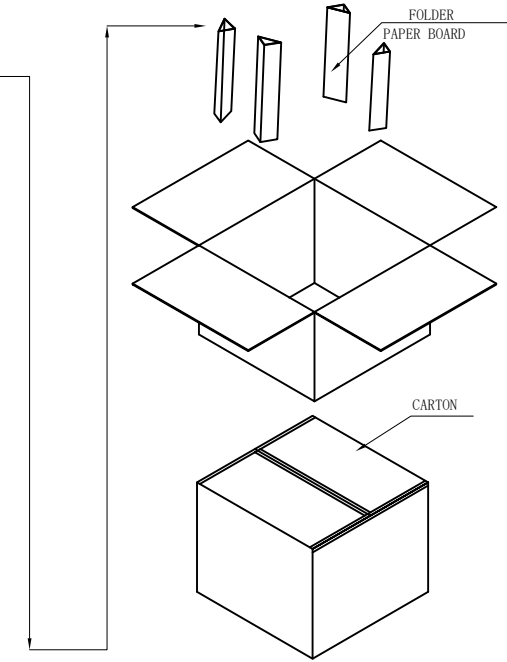
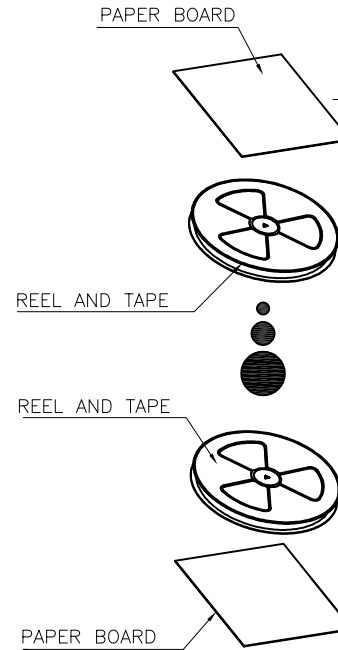
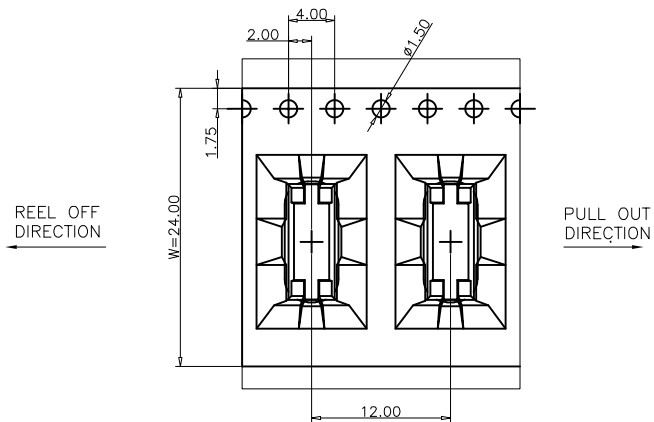
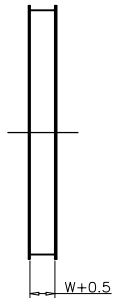
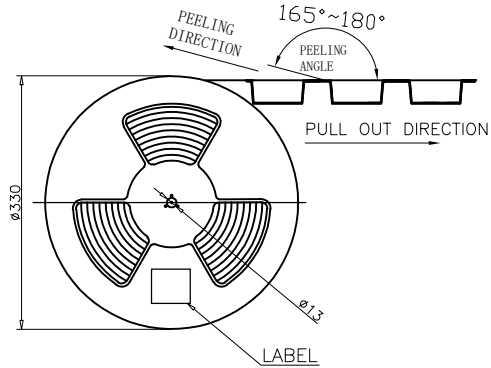
REV: A UNIT mm SCALE 1=1 QUALITY SYMBOLS

RoHS Compliant

REVISIONS			
REV.	DESCRIPTION	DATE	DESIGN



SEE DETAIL X



	REEL	CARTON
CONNECTOR (PCS)	500	5000

Bestcreate Technology Limited

TOLERANCES UNLESS OTHERWISE SPECIFIED:

.X	± 0.20	X.*	± 5°
.XX	± 0.15	.X*	± 2°
.XXX	± 0.10	.XX*	± 1°

Website: www.bsc-elec.com
 Email: bestcreate@bsc-elec.com

DESIGN: I. L DATE: TITLE:
 CHECKED: C. W DATE: IPX7 WATERPROOF 16PUSB C FEMALE
 APPROVED: DATE: CONNECTOR VERTICAL SMT, H=7.45MM
 C. W

MATERILA: PART NO: U06-CFXX5R-W083-V1 SIZE: A4
 FINSH: DWG NO: U06-CFXX5R-W083-V1 3 OF 3

REV: A UNIT mm SCALE 1=1 QUALITY SYMBOLS