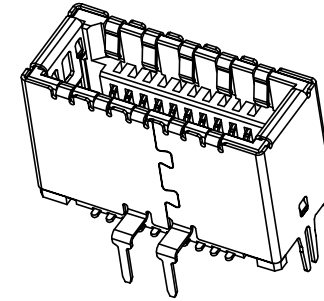
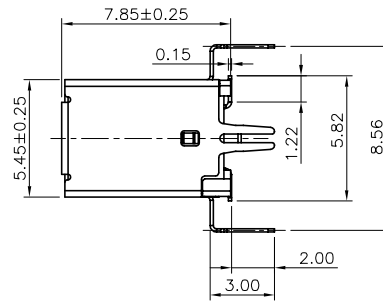
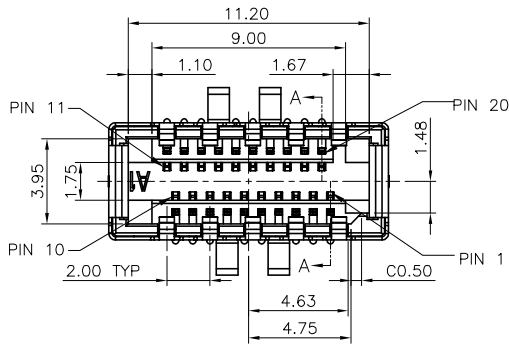
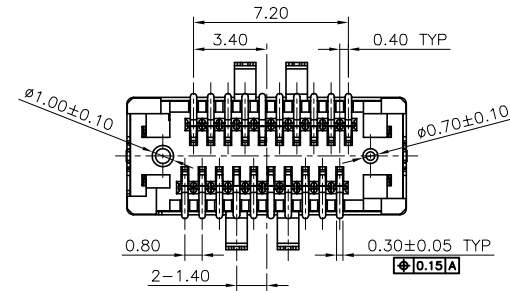
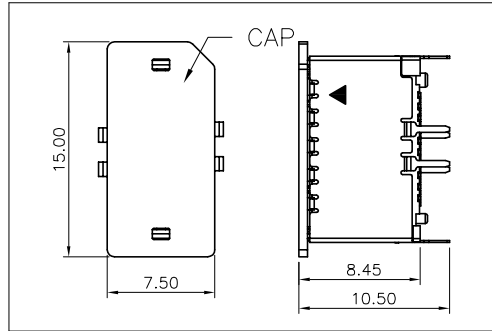
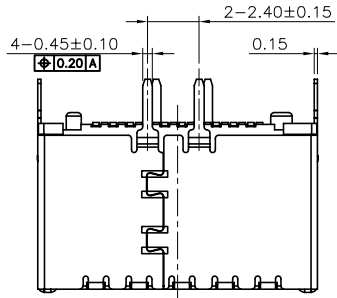
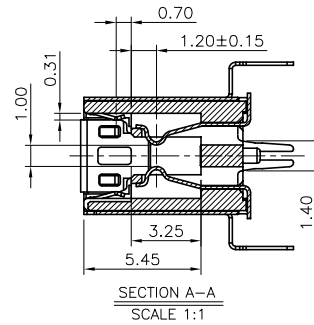
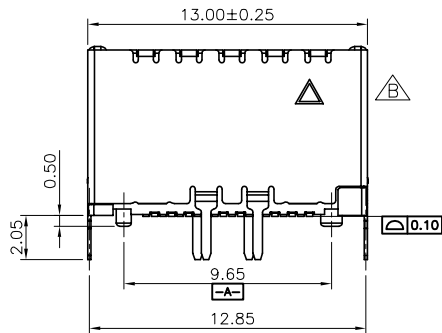


RoHS Compliant

REVISIONS			
REV.	DESCRIPTION	DATE	DESIGN



3D VIEW



PART NO. INFORMATION

U06-C F X X 5 R - 047

- PORT TYPE
C: TYPE C
- GENDER
F: FEMALE
M: MALE
- CONTACT PLATED
1: GOLD FLASH
2: GOLD 3U"
3: GOLD 5U"
4: GOLD 10U"
5: GOLD 15U"
6: GOLD 30U"
- PACKAGE
R: TAPE REEL
- HOUSING COLOR
2: WHITE
5: BLACK
9: NATURE
- HOUSING MATERIAL
A: LCP B: PBT
C: PA9T D: PA6T
E: PA46 F: PA66

Bestcreate Technology Limited

TOLERANCES UNLESS OTHERWISE SPECIFIED:

X.	± 0.50	X.*	± 5'
.X	± 0.38	.X*	± 2'
.XX	± 0.25	.XX*	± 1'

Website: www.bsc-elec.com
Email: bestcreate@bsc-elec.com

DESIGN: I.L
DATE:

CHECKED: C.W
DATE:

APPROVED: C.W
DATE:

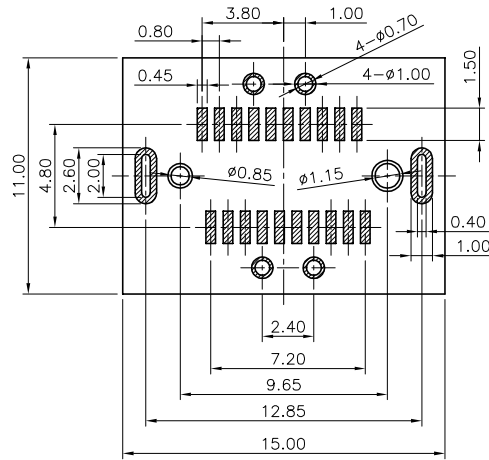
TITLE:
**USB 3.1 TYPE E KEY A FEMALE CONNECTOR
VERTICAL SMT TYPE**

MATERILA:	PART NO: U06-CFXX5R-047	SIZE: A4
FINSH:	DWG NO: U06-CFXX5R-047	

REV: A	UNIT mm	SCALE 1=1	QUALITY SYMBOLS
--------	---------	-----------	-----------------

RoHS Compliant

REVISIONS			
REV.	DESCRIPTION	DATE	DESIGN



NOTES:

- 说明
- MECHANICAL PERFORMANCE:
 - INSERTION FORCE: 3.5Kgf MAX.
 - REMOVAL FORCE: 1.50~ 3.50Kgf.
 - DURABILITY: 50 CYCLES.
 - ELECTRICAL PERFORMANCE:
 - CURRENT RATING: .05A/PIN.
 - LL CR:50mQ/PIN MAX.
LLCR MAX. CHANGE OF ALL PINS: 10m2.
 - INSULATION RESISTANCE: 100MQ MIN.
 - DIELECTRIC WITHSTANDING VOLTAGE: AC 300V FOR 1 MINUTE.
 - SOLDERING TEMPERATURE: 265±5°C FOR 10 SECONDS MAX.
 - IF EMI SHIELD SOLDER LEAD IS CONNECTED TO THE ADJACENT GND PIN VIA TRACE, IT NEED TO BE ISOLATED BY SOLDER RESIST.
如果电磁干扰外壳焊线连接到邻接的接地引脚上，需要用阻焊剂隔离。

Pin Map to support one Type-C port

P11	P12	P13	P14	P15	P16	P17	P18	P19	P20
VBUS	TX2+	TX2-	GND	RX2+	RX2-	GND	D-	D+	CC2
SBU2	SBU1	CC1	VBUS	RX1-	RX1+	GND	TX1-	TX1+	VBUS
P10	P09	P08	P07	P06	P05	P04	P03	P02	P01

Pin Map to support two Standard-A ports

P11	P12	P13	P14	P15	P16	P17	P18	P19	P20
VBUS			GND			GND	D-	D+	
			VBUS	RX1-	RX1+	GND	TX1-	TX1+	VBUS
P10	P09	P08	P07	P06	P05	P04	P03	P02	P01

MATERIAL LIST:

No.	PART NAME	QTY	MATERIAL	REMARK
4	CAP	1	LCP	(UL94V-0) BLACK/WHITE
3	SHELL	1	STAINLESS STEEL	镀底: 50U" Min; 焊接区镀雾锡: 80~200U"
2	CONTACTS	20	PHOSPHOR BRONZE	镀底: 50U" Min; 焊接区镀雾锡: 80~200U" 接触区镀金: 1U"
1	HOUSING	1	LCP	(UL94V-0) BLACK/WHITE

Bestcreate Technology Limited

TOLERANCES UNLESS OTHERWISE SPECIFIED:

X.	± 0.50	X'	± 5'
.X	± 0.38	.X'	± 2'
.XX	± 0.25	.XX'	± 1'

DESIGN: I.L DATE:

CHECKED: C.W DATE:

APPROVED: C.W DATE:

TITLE: USB 3.1 TYPE E KEY A FEMALE CONNECTOR VERTICAL SMT TYPE

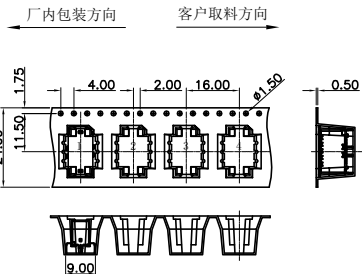
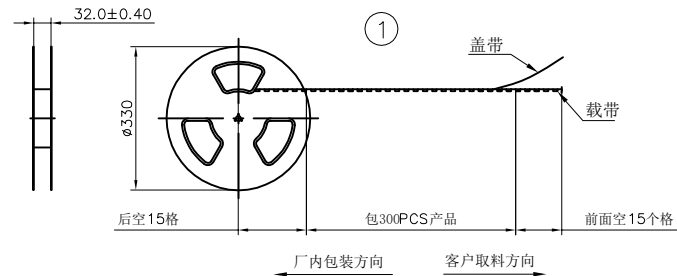
MATERIAL: PART NO: U06-CFXX5R-047 SIZE: A4

FINSH: DWG NO: U06-CFXX5R-047

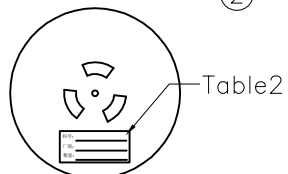
REV: A UNIT mm SCALE 1=1 QUALITY SYMBOLS

Website: www.bsc-elec.com Email: bestcreate@bsc-elec.com

RoHS Compliant



备注:
1. 载带材质: PET 透明
2. 盖带材质: PET 透明料
3. 载带所有公差±0.08以内,
检验实配可顺利放入无干涉。

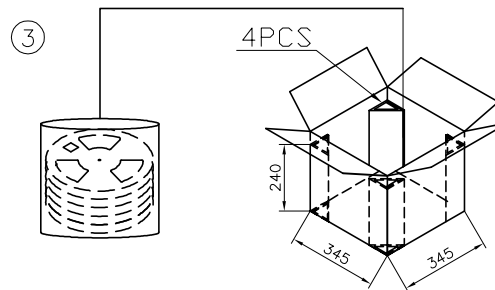


卷装产品

料号: _____
厂商: _____
数量: _____

每卷贴上内标签

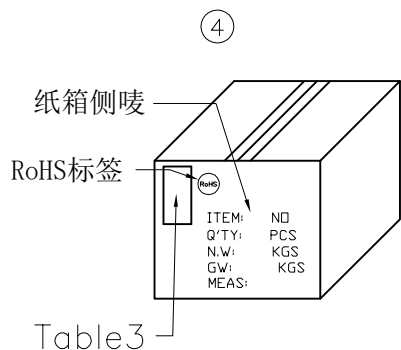
REVISIONS			
REV.	DESCRIPTION	DATE	DESIGN



3-1. 纸箱底部放一块纸板, 将PE防水袋套进外箱内,
按每10盘装入纸箱并加一包干燥剂, 装好后将防水袋封好。
3-2. 纸箱4个角落用缓冲材料塞好, 并盖上与之相配的纸板。
备注: 纸箱的规格: 345*345*240(mm)
PE胶袋的规格: (长) 650mm*(宽) 620mm*(厚) 0.05mm

3-3. 包装明细:

盘/每箱	PCS/每盘	PCS/每箱
10盘/每箱	300PCS/每盘	3000PCS/每箱



4-1 纸箱开口处以透明胶带贴合。
4-2 若有未装满的零数箱, 必须以缓冲材塞
4-3. 产品外包装标签贴法: (如上图)。

Table1

采购订单号: _____ (客户订单号)
物料编号: _____
物料名称: _____
品名: _____
规格: _____
单包数量: _____
装箱数量: _____
供应商名称: _____

专用ROHS标签:

5-1. 外标签贴在外箱侧唛左上角,
环保标签贴在外标签右上角。

Bestcreate Technology Limited

TOLERANCES UNLESS OTHERWISE SPECIFIED:

X.	± 0.50	X.*	± 5'
.X	± 0.38	.X*	± 2'
.XX	± 0.25	.XX*	± 1'

Website: www.bsc-elec.com
Email: bestcreate@bsc-elec.com

DESIGN: I.L DATE: _____

CHECKED: C.W DATE: _____

APPROVED: C.W DATE: _____

TITLE: USB 3.1 TYPE E KEY A FEMALE CONNECTOR
VERTICAL SMT TYPE

MATERILA: _____ PART NO: U06-CFXX5R-047 SIZE: A4

FINSH: _____ DWG NO: U06-CFXX5R-047

REV: A UNIT mm SCALE 1=1 QUALITY SYMBOLS

1 2 3 4 5 6 7 8