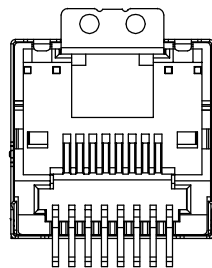
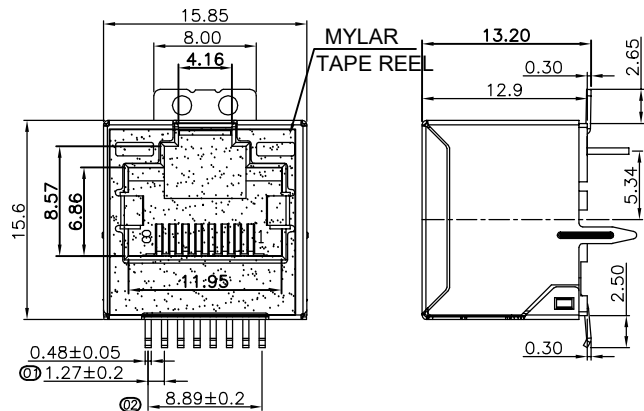


RoHS Compliant

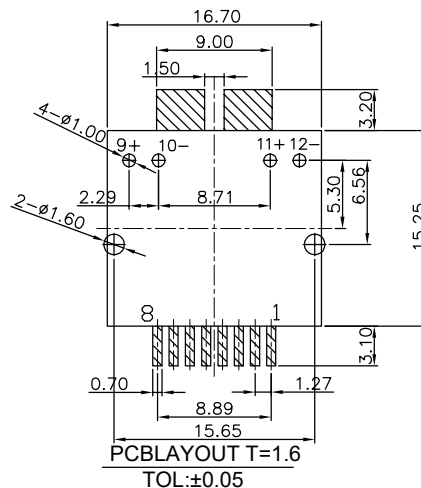
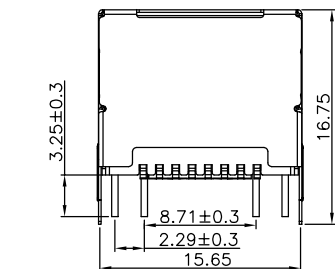
REVISIONS			
REV.	DESCRIPTION	DATE	DESIGN



NOTES
 ELECTRICAL
 1. VOLTAGE RATING : 125 VAC RMS.
 2. CURRENT RATING : 1.5 AMP.
 3. CONTACT RESISTANCE : 40 MILLIOHMS MAX.
 4. INSULATION RESISTANCE : 500 MEGOHMS MIN @ 100V DC .
 5. DIELECTRIC DIELECTRIC RESISTANCE : 500V DC RMS 50Hz. 1MIN.

MECHANICAL
 1. DURRABILITY : 750 CYCLES MIN.
 2. MATING/UNMATING FORC: 2.24 KG. F MAX.

ENVIRONMENTAL:
 1. OPERATION : -40°C ~ +85°C.
 2. STORAGE : -40°C ~ +85°C.

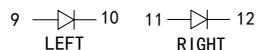


PART NO. INFORMATION

RJ01- X 5 0 X - 016 - X

CONTACT PLATED
 1: G/F 2: AU 3U"
 3: AU 6U" 4: AU 15U"
 5: AU 30U"
 PACKAGE
 R: TAPE REEL T: TRAY
 LED:
 1:L-YELLOW R-GREEN
 2:L-GREEN R-YELLOW

8	///
7	///
6	RX-
5	///
4	///
3	RX+
2	TX-
1	TX+
PIN序 说明	



Standard LED Color	LED Wavelength	Foward(A)	Foward(V)
Green	568nm	20mA	1.85-2.45V
Yellow	585nm	20mA	1.7-2.2V

7	1.4x3.2x4.0 平头半透明亮锡绿灯	1	SPCC T=0.5mm	胶体半透明绿色发绿光
6	1.4x3.2x4.0 平头半透明亮锡黄灯	1	SPCC T=0.5mm	胶体半透明黄色发黄光
5	RJ45 立式12.7H DIP有灯外壳	1	C2680 T=0.2mm	镀40u"
4	RJ45 立式12.7H接地片	1	C2680 T=0.35mm	亮锡100u"
3	RJ45 立式12.7H SMT插芯半成品	8	C5191 T=0.35mm	Au/亮锡100u"/NI 50u"
2	RJ45 立式12.7H SMT插芯半成品	1	LCP UL94V-0	BLACK
1	RJ45 立式12.7H无柱有灯主体	1	LCP UL94V-0	BLACK
NO.	PART NAME	Q'TY	MATERIAL	PLATING & COLOR

Bestcreate Technology Limited

TOLERANCES UNLESS OTHERWISE SPECIFIED:

.X	± 0.30	X.*	± 3"
.XX	± 0.20	.X*	± 2"
.XXX	± 0.10	.XX*	± 1"

Website: www.bsc-elec.com
 Email: bestcreate@bsc-elec.com

DESIGN: I. L DATE: 2017. 3. 1

CHECKED: C. W DATE: 2017. 3. 1

APPROVED: C. W DATE: 2017. 3. 1

TITLE: VERTICAL SMT RJ45 8P8C CONNECTOR DIP SHELL WITH LIGHT 12. 7H

MATERILA: PART NO: RJ01-X50X-016-X SIZE: A4

FINSH: DWG NO: RJ01-X50X-016-X

REV: A	UNIT mm	SCALE 1=1	QUALITY SYMBOLS
--------	---------	-----------	-----------------