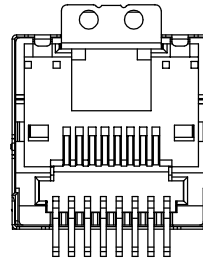
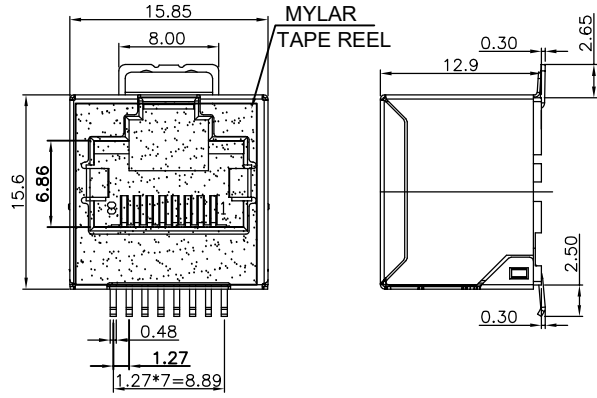


RoHS Compliant

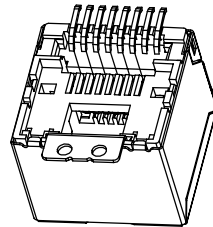
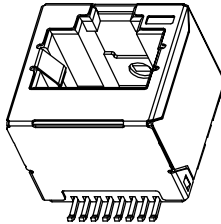
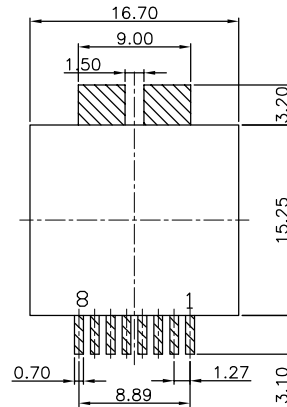
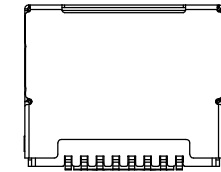
REVISIONS

REV.	DESCRIPTION	DATE	DESIGN

8	—
7	—
6	RX-
5	—
4	—
3	RX+
2	TX-
1	TX+
PIN序 说明	



NOTES  
 ELECTRICAL  
 1. VOLTAGE RATING : 125 VAC RMS.  
 2. CURRENT RATING : 1.5 AMP.  
 3. CONTACT RESISTANCE : 40 MILLIOHMS MAX.  
 4. INSULATION RESISTANCE : 500 MEGOHMS MIN @ 100V DC .  
 5. DIELECTRIC DIELECTRIC RESISTANCE : 500V DC RMS 50Hz. 1MIN.  
 MECHANICAL  
 1. DURRABILITY : 750 CYCLES MIN.  
 2. MATING/UNMATING FORC: 2.24 KG. F MAX.  
 ENVIRONMENTAL:  
 1. OPERATION : -40°C~+85°C.  
 2. STORAGE : -40°C~+85°C.



PCBLAYOUT T=1.6  
 TOL:±0.05

PART NO. INFORMATION

RJ01- X 5 0 X - 088

CONTACT PLATED  
 1: G/F 2: AU 3U"  
 3: AU 6U" 4: AU 15U"  
 5: AU 30U"  
 PACKAGE  
 R: TAPE REEL  
 T: TRAY

5	RJ45 立式12.7H SMT无灯外壳	1	C2680 T=0.2mm	镍40u"
4	RJ45 立式12.7H接地片	1	C2680 T=0.35mm	亮锡100u"
3	RJ45 立式12.7H端子	8	C5191 T=0.35mm	Au/亮锡100u"/Ni 50u"
2	RJ45 立式12.7H SMT插芯半成品	1	LCP UL94V-0	BLACK
1	RJ45 立式12.7H无柱有灯主体	1	LCP UL94V-0	BLACK
NO.	PART NAME	Q'TY	MATERIAL	PLATING & COLOR

**Bestcreate Technology Limited**

TOLERANCES UNLESS OTHERWISE SPECIFIED:

.X	± 0.35	X.*	± 3"
.XX	± 0.25	.X*	± 2"
.XXX	± 0.15	.XX*	± 1"

DESIGN: I. L DATE: 2017. 3. 1

CHECKED: C. W DATE: 2017. 3. 1

APPROVED: C. W DATE: 2017. 3. 1

TITLE: VERTICAL SMT RJ45 CONNECTOR 1.27H

MATERILA: PART NO: RJ01-X50X-088 SIZE: A4

FINSH: DWG NO: RJ01-X50X-088

REV: A UNIT mm SCALE 1=1 QUALITY SYMBOLS

Website: www.bsc-elec.com  
 Email: bestcreate@bsc-elec.com