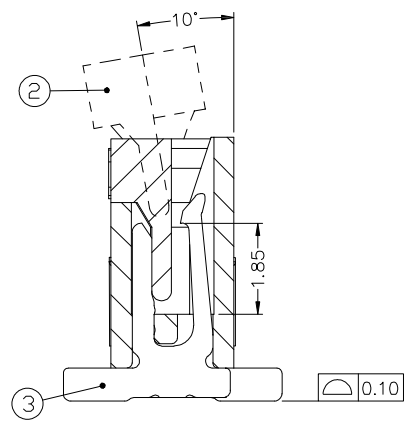
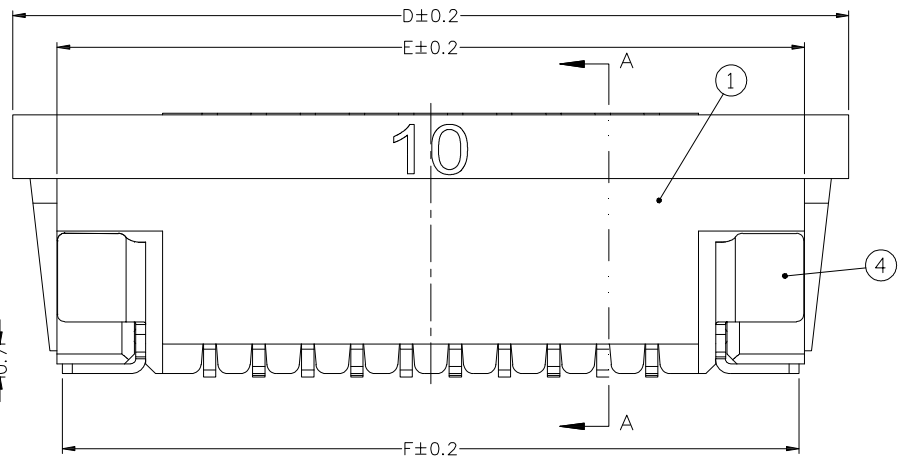
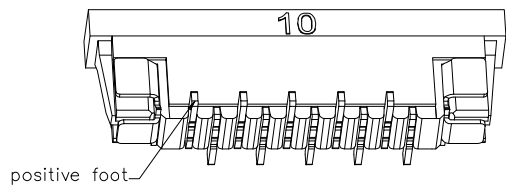
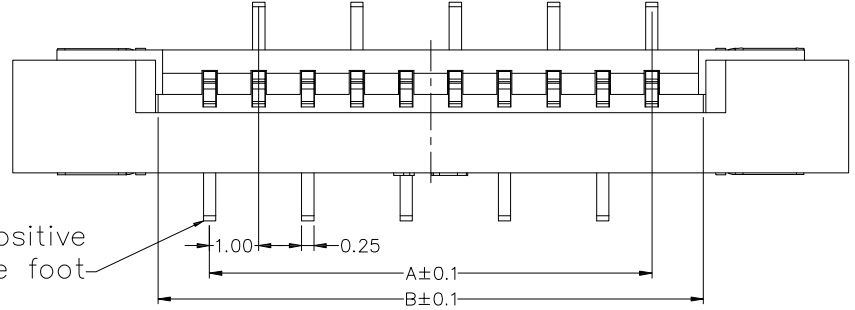


RoHS Compliant

1.0mm PITCH FPC CONNECTORS

REVISIONS			
REV.	DESCRIPTION	DATE	DESIGN

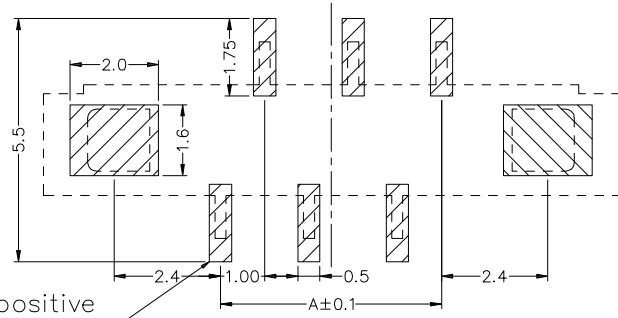
PIN	DIM A	DIM B	DIM C	DIM D	DIM E	DIM F
4	3.00	5.10	5.00	11.00	9.20	9.00
5	4.00	6.10	6.00	12.00	10.20	10.00
6	5.00	7.10	7.00	13.00	11.20	11.00
7	6.00	8.10	8.00	14.00	12.20	12.00
8	7.00	9.10	9.00	15.00	13.20	13.00
9	8.00	10.10	10.00	16.00	14.20	14.00
10	9.00	11.10	11.00	17.00	15.20	15.00
11	10.00	12.10	12.00	18.00	16.20	16.00
12	11.00	13.10	13.00	19.00	17.20	17.00
13	12.00	14.10	14.00	20.00	18.20	18.00
14	13.00	15.10	15.00	21.00	19.20	19.00
15	14.00	16.10	16.00	22.00	20.20	20.00
16	15.00	17.10	17.00	23.00	21.20	21.00
17	16.00	18.10	18.00	24.00	22.20	22.00
18	17.00	19.10	19.00	25.00	23.20	23.00
19	18.00	20.10	20.00	26.00	24.20	24.00
20	19.00	21.10	21.00	27.00	25.20	25.00
21	20.00	22.10	22.00	28.00	26.20	26.00
22	21.00	23.10	23.00	29.00	27.20	27.00
23	22.00	24.10	24.00	30.00	28.20	28.00
24	23.00	25.10	25.00	31.00	29.20	29.00
25	24.00	26.10	26.00	32.00	30.20	30.00
26	25.00	27.10	27.00	33.00	31.20	31.00
27	26.00	28.10	28.00	34.00	32.20	32.00
28	27.00	29.10	29.00	35.00	33.20	33.00
29	28.00	30.10	30.00	36.00	34.20	34.00
30	29.00	31.10	31.00	37.00	35.20	35.00
31	30.00	32.10	32.00	38.00	36.20	36.00
32	31.00	33.10	33.00	39.00	37.20	37.00
33	32.00	34.10	34.00	40.00	38.20	38.00
34	33.00	35.10	35.00	41.00	39.20	39.00
35	34.00	36.10	36.00	42.00	40.20	40.00
36	35.00	37.10	37.00	43.00	41.20	41.00



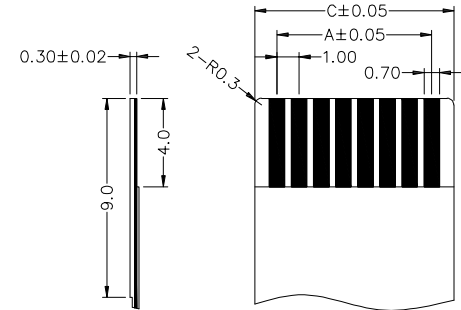
**FPC10-XX 0 1 X -B005**  
 NO. OF CONTACTS  
 PLATING:  
 0: TIN  
 G: GOLD FLASH  
 PACKAGE:  
 T:TUBE  
 R:TAPE&REEL  
 1:ROHS  
 2: HALOGEN FREE

Electrical  
 rated current:0.5A AC(rms)/DC  
 nominal voltage:50V AC(rms)/DC  
 Dielectric Withstanding Voltage:500V AC/rms  
 Contact Resistance:≤20mΩ max(initial)  
 Insulation Resistance:800 MΩ min  
 Operating Temp:-20°C~+85°C

④	FITTING	PHOSPHOR BRONZE	PDR-100-SK
③	TERMINAL	PHOSPHOR BRONZE	PDR-10-S005/6
②	LATCH	LCP(BLACK)JUL94V-0	LOB-NA
①	HOUSING	LCP(NATURAL)JUL94V-0	LOB-NY
SERIAL NUMBER	NAMER	MATERIALS	PART NUMBER



Define the positive foot reference foot  
**PC BOARD LAYOUT**



PROPER CABLE (SCALE 2:1)

**Bestcreate Technology Limited**

TOLERANCES UNLESS OTHERWISE SPECIFIED:			
.X	± 0.50	X.*	± 2'
.XX	± 0.20	.X'	± 1'
.XXX	± 0.05	.XX'	± 0.5'
Website:www.bsc-elec.com			
Email:bestcreate@bsc-elec.com			

DESIGN:	DATE:
I. L	2017. 3. 1
CHECKED:	DATE:
C. W	2017. 3. 1
APPROVED:	DATE:
C. W	2017. 3. 1

TITLE: <b>1.0mm FPC 立贴式(有焊片正脚)</b>		
MATERIAL:	PART NO: FPC10-XX01X-B005	SIZE: A4
FINISH:	DWG NO: FPC10-XX01X-B005	

REV: A	UNIT: mm	SCALE: 1=1	QUALITY SYMBOLS
--------	----------	------------	-----------------