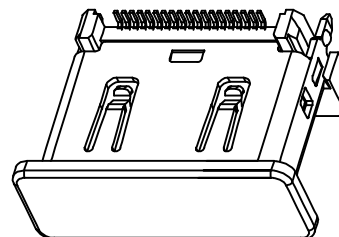
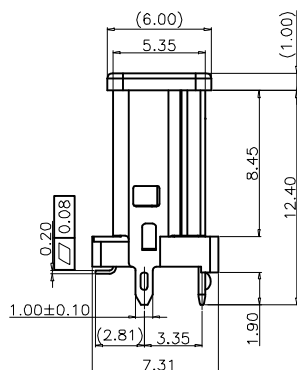
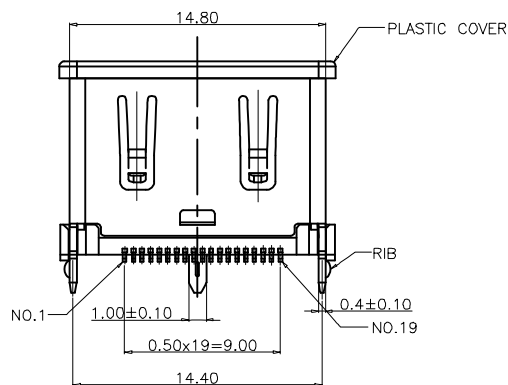


RoHS Compliant

REVISIONS			
REV.	DESCRIPTION	DATE	DESIGN



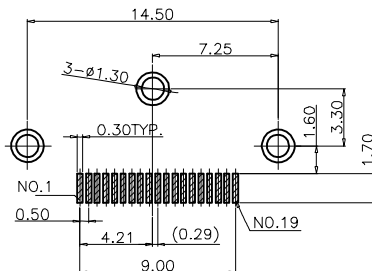
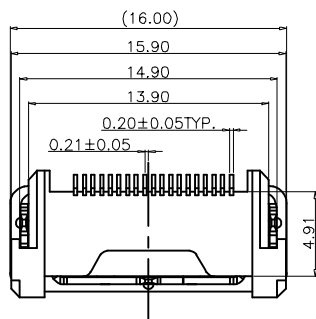
PART NO. INFORMATION

HD01-A F X X 5 R - 002

GENDER	PORT TYPE	PACKAGE
F: FEMALE	A: TYPE A	R: TAPE REEL
M: MALE		HOUSING COLOR
	CONTACT PLATED	2: WHITE
	1: GOLD FLASH	5: BLACK
	2: GOLD 3U"	9: NATURE
	3: GOLD 5U"	HOUSING MATERIAL
	4: GOLD 10U"	A: LCP B: PBT
	5: GOLD 15U"	C: PA9T D: PA6T
	6: GOLD 30U"	E: PA46 F: PA66

B

C



RECOMMENDED PCB LAYOUT THICKNESS = 1.6 mm
TOLERANCE: ±0.05

NOTE:

- MATERIALS AND FINISHED
INSULATOR : LCP UL-94V0,
COVER:LCP UL-94V0
SHELL : BRASS, NI FINISHED
CONTACT MATERIAL : BRASS, SELEVITE GOLD FINISHED
- ELECTRICAL CHARACTERISTICS
CONTACT CURRENT RATING : 0.5 AMPS
CONTACT RESISTANCE :20 MILLIOHMS MAX.
DIELECTRIC WITHSTANDING VOLTAGE : 500 V AC MIN.
INSULATION RESISTANCE : 100 MEGAOHMS MIN.
- MECHANICAL
MATING FORCE:4.5Kgf MAX.
UNMATING FORCE:1.0 Kgf MIN
- ENVIRONMENTAL
TEMPERATURE RATING : -55°C ~ +105°C

Bestcreate Technology Limited

TOLERANCES UNLESS OTHERWISE SPECIFIED:

X.	± 0.5	X.'	± 3'
.X	± 0.35	.X'	± 2'
.XX	± 0.2	.XX'	± 1'

Tel/Whatsapp:0086-13712299763
Skype: belle.wu3340

DESIGN: I. L DATE: 2017. 3. 1

CHECKED: C. W DATE: 2017. 3. 1

APPROVED: C. W DATE: 2017. 3. 1

TITLE: HDMI 19PIN AF 180D SMT

MATERIAL: HD01-AFXX5R-002 PART NO: HD01-AFXX5R-002 SIZE: A4

FINSH: HD01-AFXX5R-002 DWG NO: HD01-AFXX5R-002

REV: A UNIT mm SCALE 1=1 QUALITY SYMBOLS

1

2

3

4

5

6

7

8

A

A

B

C

D