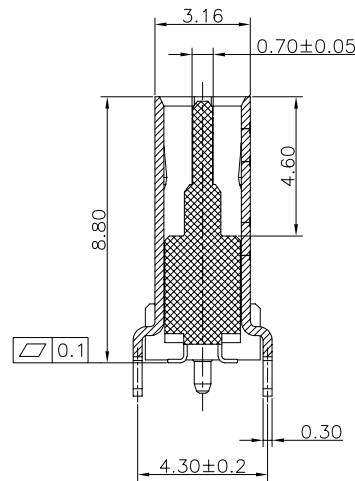
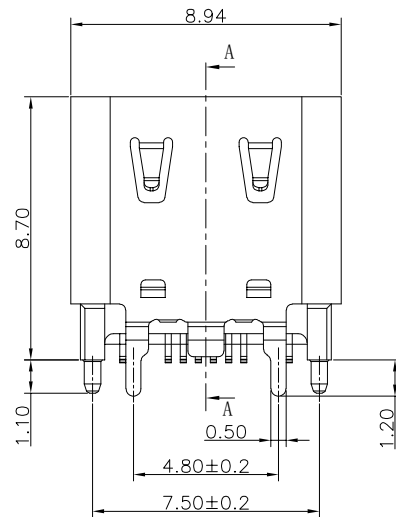
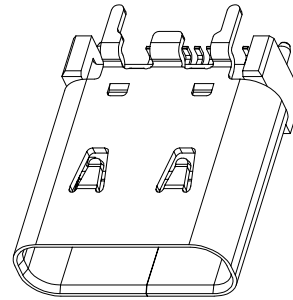
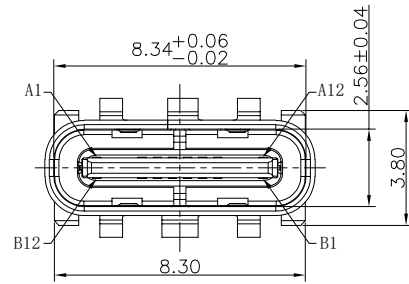
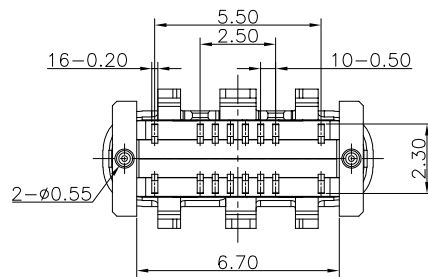
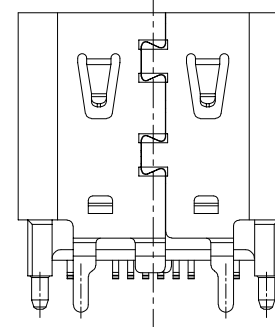


RoHS Compliant

REVISIONS			
REV.	DESCRIPTION	DATE	DESIGN



SECTION A-A  
SCALE 1:1



NOTE:

1.MATERIAL SPECIFICATION:

- 1-1.HOUSING:HIGH TEMPERATURE RESISTANT PLASTIC,UL94 V-0.
- 1-2.TERMINAL: COPPER ALLOY
- 1-3.MID PLATE: STAINLESS STEEL(SUS301 T=0.15mm)
- 1-4.FRONT SHELL: STAINLESS STEEL(SUS304 T=0.3mm)

2.PLATING SPECIFICATION:

- 2-1.TERMINAL:  
Ni 50u" MIN. UNDER PLATED OVER ALL.  
Au PLATED ON THE FUNCTIONAL AREA OF CONTACT.  
(GOLD PLATING THICKNESS FOLLOW THE P/N)
- PLATING SPECIFICATIONS OF THE SOLDER AREA FOLLOW THE P/N
- 2-2.FRONT SHELL:  
Ni 30u" MIN. UNDER PLATED OVER ALL.
- 2-3.MID PLATE  
CLEAR ONLY
- 2-4.EMI PLATE:  
CLEAR ONLY

3.MECHANICAL PERFORMANCE,

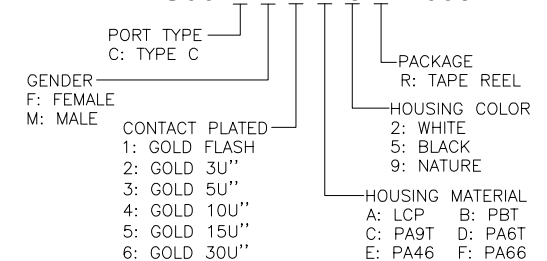
- 3-1.INSERTION FORCE: 0.5~2.0kgf.
- 3-2.REMOVAL FORCE: 0.8kgf~2.0kgf.
- 3-3.DURABILITY: 10000 CYCLES.

4.ELECTRICAL PERFORMANCE,

- 4-1. VOLTAGE RATING:5 V DC/AC (RMS. max)
- CURRENT RATING:5 AMPS. FOR TOTAL VBUS/GND PINS;  
1.25AMPS FOR CC PIN,0.25 AMPS. FOR ALL OTHER CONTACT.
- 4-2. LLCR:.  
VBUS & GND PINS AND OTHER PINS: 40mΩ/PIN MAX.  
SHIELD: 50mΩ/MAX.  
LLCR MAX. CHANGE OF ALL PINS: 10mΩ.
- 4-3.INSULATION RESISTANCE: 100MΩ MIN
- 4-4.DIELECTRIC WITHSTAND VOLTAGE,AC 100V FOR 1 MINUTE.
- 5. ENVIRONMENTAL PERFORMANCE:  
OPERATING TEMPERATURE: -25°C~+85°C.
- 6.IR REFLOW:  
THE PEAK TEMPERATURE ON THE BOARD SHALL  
BE MAINTAINED FOR 10 SECONDS AT 260°C.

PART NO. INFORMATION

**U06-C F X X 5 R - 005**



**Bestcreate Technology Limited**

TOLERANCES UNLESS OTHERWISE SPECIFIED:

.X	± 0.30	.X.	± 5°
.XX	± 0.20	.X°	± 2°
.XXX	± 0.10	.XX°	± 1°

Website: www.bsc-elec.com

E-mail: bestcreate@bsc-elec.com

DESIGN: I. L DATE: 2017. 3. 1

CHECKED: C. W DATE: 2017. 3. 1

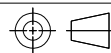
APPROVED: C. W DATE: 2017. 3. 1

TITLE: VERTICAL SMT 16P USB TYPE C FEMALE CONNECTOR, H=8. 8

MATERIALA: PART NO: U06-CFXX5R-005 SIZE: A4

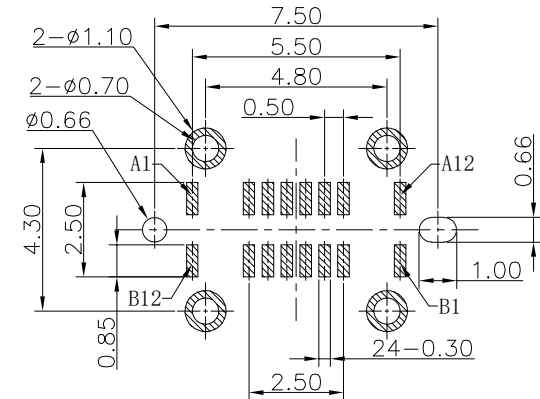
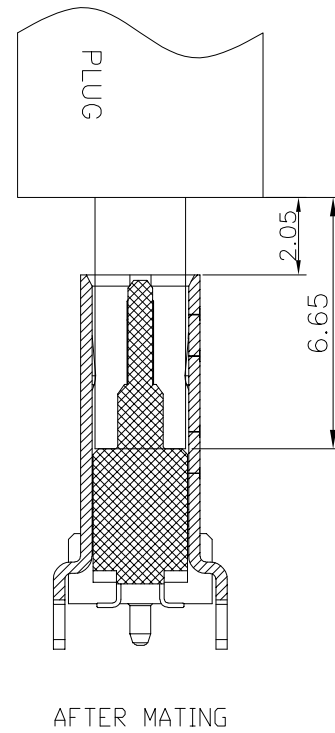
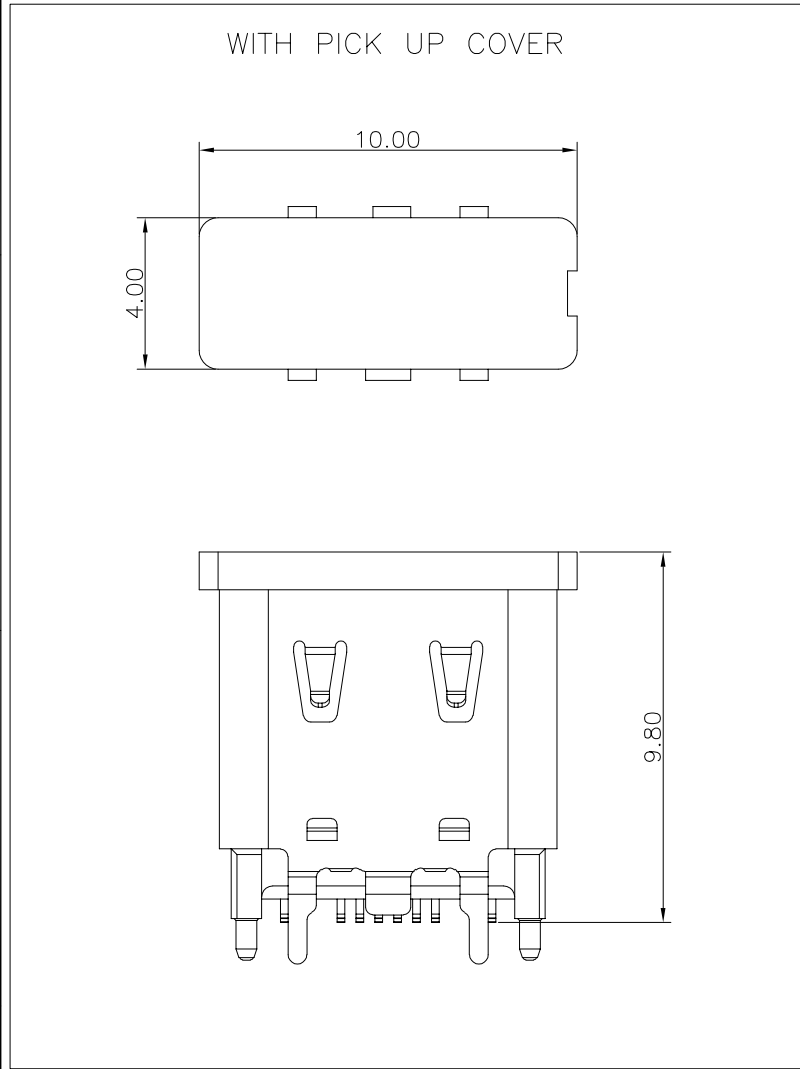
FINSH: DWG NO: U06-CFXX5R-005 SHEET: 1 OF 2

REV: A UNIT mm SCALE 1=1 QUALITY SYMBOLS



RoHS Compliant

REVISIONS			
REV.	DESCRIPTION	DATE	DESIGN



RECOMMEND P.C.B LAYOUT (COMPONENT SIDE)  
TOLERANCE FOR PCB LAYOUT IS ±0.05

USB TYPE C PIN ASSIGNMENTS

PIN NUMBER	SIGNAL NAME	PIN NUMBER	SIGNAL NAME
A1	GND	B12	GND
A4	VBUS	B9	VBUS
A5	CC1	B8	SBU2
A6	DP1	B7	DN2
A7	DN1	B6	DP2
A8	SBU1	B5	CC2
A9	VBUS	B4	VBUS
A12	GND	B1	GND

**Bestcreate Technology Limited**

TOLERANCES UNLESS OTHERWISE SPECIFIED:	
.X ± 0.30	.X* ± 5*
.XX ± 0.20	.X* ± 2*
.XXX ± 0.10	.XX* ± 1*
Website: www.bsc-elec.com	
E-mail: bestcreate@bsc-elec.com	

DESIGN: I. L	DATE: 2017. 3. 1
CHECKED: C. W	DATE: 2017. 3. 1
APPROVED: C. W	DATE: 2017. 3. 1

TITLE: VERTICAL SMT 16P USB TYPE C FEMALE CONNECTOR, H=8.8		
MATERIALA:	PART NO: U06-CFXX5R-005	SIZE: A4
FINSH:	DWG NO: U06-CFXX5R-005	SHEET: 2 OF 2

REV: A	UNIT: mm	SCALE: 1=1	QUALITY SYMBOLS
--------	----------	------------	-----------------