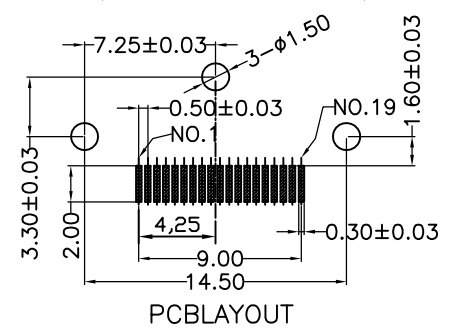
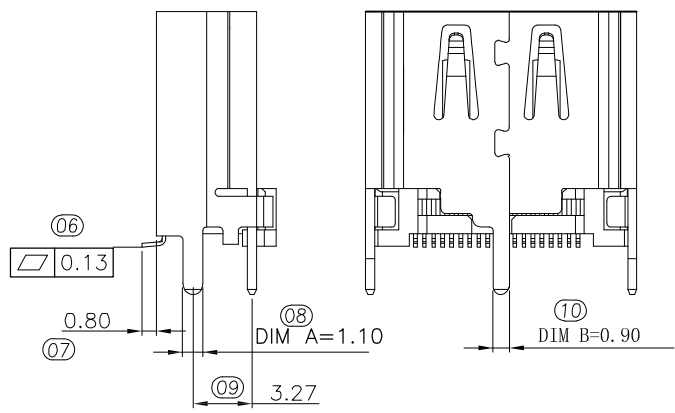
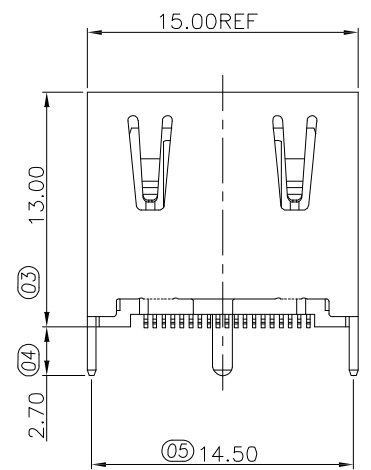
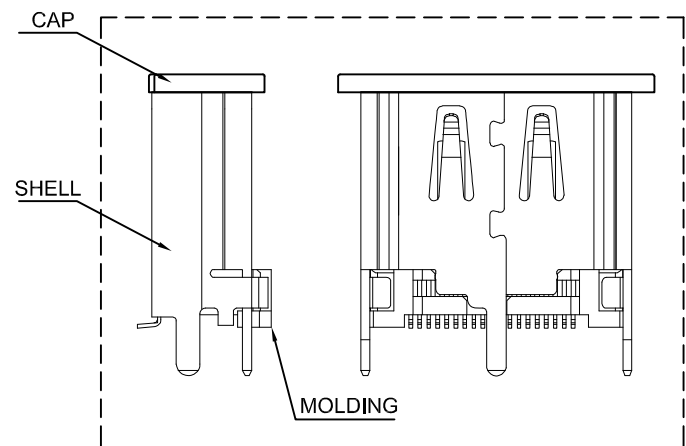
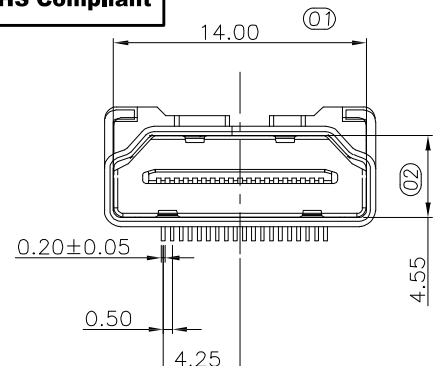


RoHS Compliant



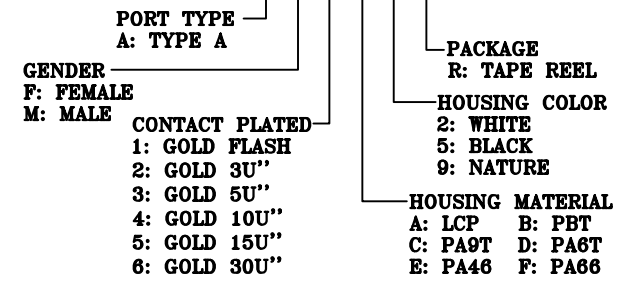
NOTE:
 MATERIAL:
 HOUSING:HIGHT TEMPERATURE PLASTIC
 BLACK UL94 V-0,
 CONTACT PHOSPHER BRONZE, T=0.20,
 SHELL:SPCC, T=0.50
 2. FINISH :
 CONTACT: AU/100u" SN/50u" NI PLATED
 SHELL:NI 30u" PLATED

REVISIONS			
REV.	DESCRIPTION	DATE	DESIGN

NOTE:
 1.MECHANICAL CHARACTERISTICS
 INSERTION FORCE: 44.1N MAX
 EXTROCTION FORCE: 9.8N MIN, 39.2N MAX
 MOTING CYCLE:10000 CYCLES
 CONTACT PULL OUT FORCE: 1.96N/PIN MIN
 SCREW TIGHTING TORQUE:3.5±0.5KG
 2.ELECTRICAL CHARACTERISTICS
 RATING CURRENT: 0.5A
 RATING VOLTAGE: 40V
 CONTACT RESISTANCE: 10 MILLOHMS OHMS MAX
 INSULATION RESISTANCE:
 a, UNMATED: 100M OHMS MIN AT 500 VDC
 b, MATED: 10M OHMS MIN AT 150 VDC
 DIELECTRIC WITHSTANDING VOLTAGE: 300V AC/1MINUTE
 OPERATING TEMPERATURE: -20°C--+85°C
 STORAGE TEMPERATURE: -20°C--+65°C

PART NO. INFORMATION

HD01-A F X X 5 R - 019



Bestcreate Technology Limited

TOLERANCES UNLESS OTHERWISE SPECIFIED:			
.X ± 0.35	X.* ± 3'	DESIGN:	DATE:
.XX ± 0.25	.X* ± 2'	I. L	2017. 3. 1
.XXX ± 0.10	.XX* ± 1'	CHECKED:	DATE:
Tel/Whatsapp:0086-13712299763		C. W	2017. 3. 1
Skype: belle.wu3340		APPROVED:	DATE:
		C. W	2017. 3. 1

TITLE:		PART NO:		SIZE:
VERTICAL HDMI A FEMALE CONNECTOR		HD01-AFX5R-019		A4
MATERILA:	DWG NO:			
	HD01-AFX5R-019			

REV: A	UNIT mm	SCALE 1=1	QUALITY SYMBOLS
--------	---------	-----------	-----------------