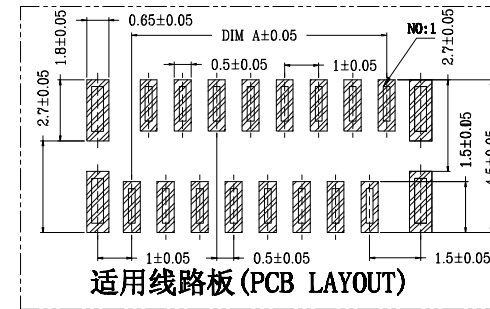
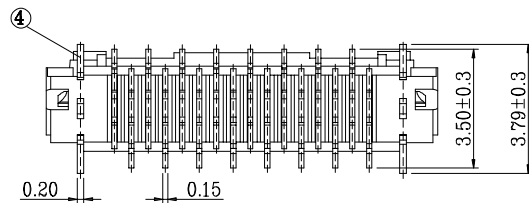
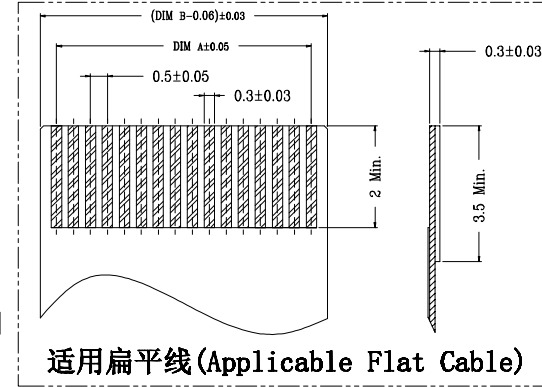
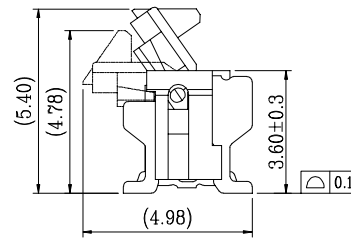
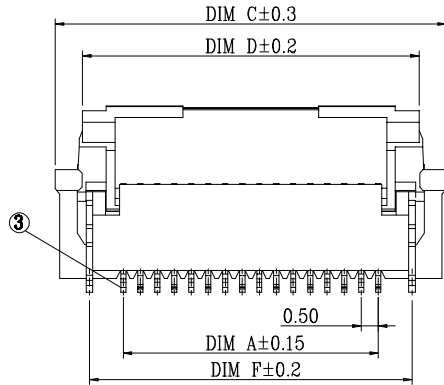
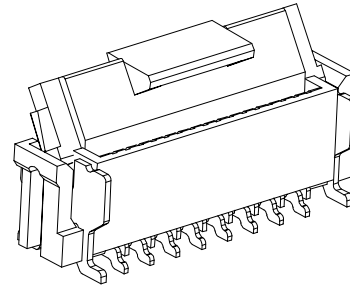
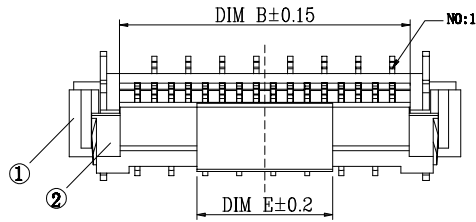


RoHS Compliant

REVISIONS			
REV.	DESCRIPTION	DATE	DESIGN



①	0.5mm 立式芯芯 (H=5.4)	LCP UL94V-0 本色
②	0.5mm 立式后盖 (H=5.4)	PA9T UL94V-0 黑色
③	0.5mm 立式端子 (H=5.4)	铜合金/表面镀金
④	0.5mm 立式焊片 (H=5.4)	铜合金/表面镀锡

技术指标:

1. 塑件表面应光洁、无毛边、无明显收缩、缺陷、裂纹等现象。
2. 温度范围: -25° C~85° C.
3. 额定电流: 0.5A
4. 额定电压: 50V, AC.
5. 接触电阻: ≤50mΩ MAX.
6. 绝缘电阻: ≥500MΩ Min.
7. 耐电压: 150V AC/1Minute

PART NO. INFORMATION

FPC05-XX 0 1 X - B011

NO. OF CONTACTS ———— PACKAGE
 T:TUBE
 R:TAPE&REEL
 PLATING ———— 1:ROHS
 O: TIN 2: HALOGEN FREE
 G: GOLD FLASH

Bestcreate Technology Limited

TOLERANCES UNLESS OTHERWISE SPECIFIED:

X.	± 0.30	X.'	± 2'
.X	± 0.25	.X'	± 1'
.XX	± 0.10	.XX'	± 0.5'

Website:www.bsc-elec.com
 Email:bestcreate@bsc-elec.com

DESIGN: DATE:

I. L 2017. 3. 1

CHECKED: DATE:

C. W 2017. 3. 1

APPROVED: DATE:

C. W 2017. 3. 1

TITLE:

0.5MM FPC CONNECTOR FLIP TYPE VERTICAL SMT (H=5.4MM)

MATERILA:

FINSH:

PART NO:

DWG NO:

FPC05-XXX1X-B011

FPC05-XXX1X-B011

SIZE:

A4

REV:	UNIT	SCALE	QUALITY SYMBOLS
A	mm	1=1	