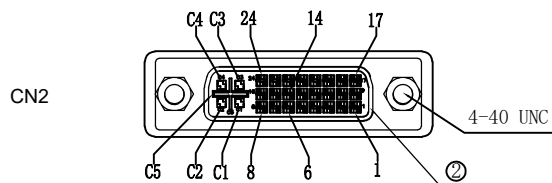
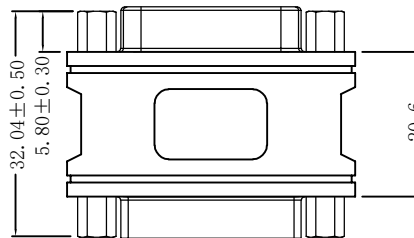
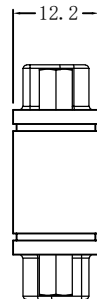
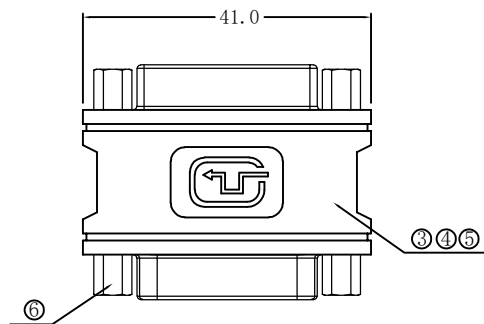
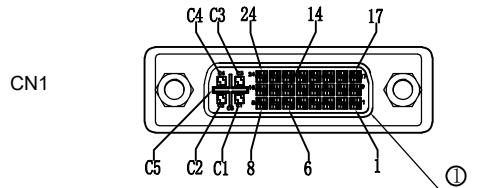


RoHS Compliant

REVISIONS			
REV.	DESCRIPTION	DATE	DESIGN



接点表

CN1	CN2	CN1	CN2
01	01	16	16
02	02	17	17
03	03	18	18
04	04	19	19
05	05	20	20
06	06	21	21
07	07	22	22
08	08	23	23
09	09	24	24
10	10	C1	C1
11	11	C2	C2
12	12	C3	C3
13	13	C4	C4
14	14	C5	C5
15	15	SHELL	SHELL

注:

- 100%短/断路&错线测试条件.
- 导通阻抗 $\leq 3\Omega$, 绝缘阻抗 $\geq 10M\Omega$.
高压测试, DC 300V/10mS.
- 产品采用PCB连接.

5	螺丝	六角铜母螺丝 镀镍 4-40 UNC 4.75*5.8MM	4PCS
5	外模	PVC胶料 45P 黑色	5.2G
4	内模	PE胶料 透明	4.2G
3	内连接	PCB板连接 T=1.6MM	1PCS
2	连接器	DVI (24+5) F 铁壳镀镍 PIN针镀金 黑胶	1PCS
1	连接器	DVI (24+5) F 铁壳镀镍 PIN针镀金 黑胶	1PCS
序号	名称	材料	用量

Bestcreate Technology Limited

TOLERANCES UNLESS OTHERWISE SPECIFIED:

X.	± 0.50	X'	± 5'
.X	± 0.30	.X'	± 2'
.XX	± 0.10	.XX'	± 1'

Website: www.bsc-elec.com
Email: bestcreate@bsc-elec.com

DESIGN: I. L DATE: 2017. 3. 1

CHECKED: C. W DATE: 2017. 3. 1

APPROVED: C. W DATE: 2017. 3. 1

TITLE: DVI24+5 FEMALE TO VGA 15P MALE ADAPTER

MATERILA: PART NO: DVI245TODVI245PF-003 SIZE: A4

FINSH: DWG NO: DVI245TODVI245PF-003

REV: A UNIT mm SCALE 1=1 QUALITY SYMBOLS