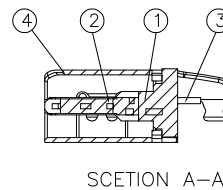
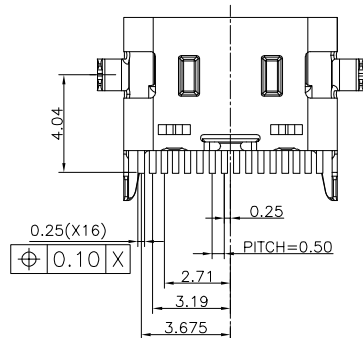
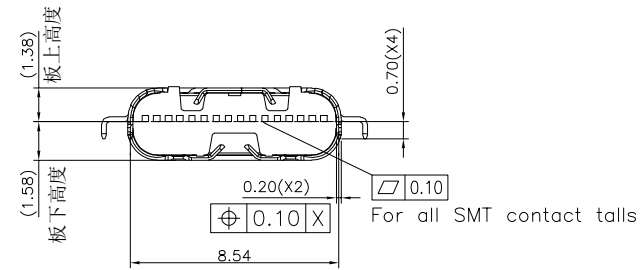
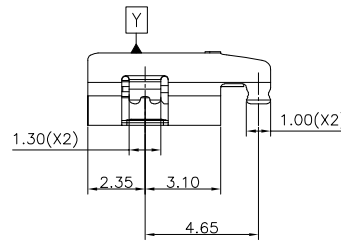
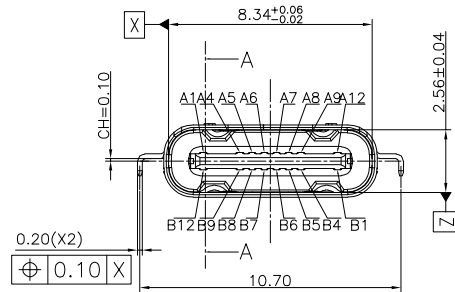
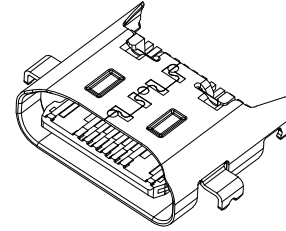
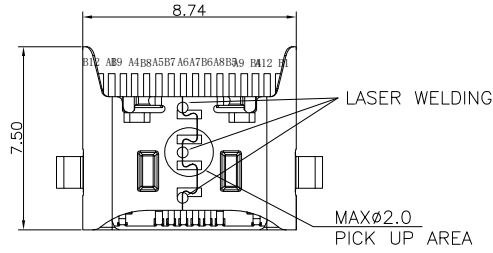


RoHS Compliant

REVISIONS			
REV.	DESCRIPTION	DATE	DESIGN



PART NO. INFORMATION

U06-C F X X X 5 X - 066

- PORT TYPE
C: TYPE C
- GENDER
F: FEMALE
M: MALE
- CONTACT PLATED
1: GOLD FLASH
2: GOLD 30"
3: GOLD 50"
4: GOLD 10U"
5: GOLD 15U"
6: GOLD 30U"
- PACKAGE
T: TRAY R: TAPE REEL
- HOUSING COLOR
2: WHITE
5: BLACK
9: NATURE
- HOUSING MATERIAL
A: LCP B: PBT
C: PA9T D: PA6T
E: PA46 F: PA66

PIN ASSIGNMENTS:

PIN	A1	A4	A5	A6	A7	A8	A9	A12
Signal Name	GND	V _{BUS}	CC1	Dp1	Dn1	SBU1	V _{BUS}	GND
PIN	B12	B9	B8	B7	B6	B5	B4	B1
Signal Name	GND	V _{BUS}	SBU2	Dn2	Dp2	CC2	V _{BUS}	GND

ITEM	PART NAME	Q'TY	MATERIAL	FINISH
4	SHELL	1PCS	STAINLESS STEEL	50u" MIN SOLDERABLE NICKEL
3	CONTACT	1SET	COPPER ALLOY	GOLD 30U" Min PLATED ON CONTACT AREA AND G/F ON SOLDER TAILS OVER 50u" Min NICKEL UNDERPLATING OVERALL
2	MID-PLATE	1PCS	STAINLESS STEEL	NO PLATING
1	HOUSING	1PCS	THERMOPLASTIC	BLACK COLOR, UL94 V-0

Bestcreate Technology Limited

TOLERANCES UNLESS OTHERWISE SPECIFIED:

.X	± 0.30	.X'	± 2'
.XX	± 0.20	.XX'	± 1'
.XXX	± 0.10	.XXX'	± 0.5'

DESIGN: I.L DATE:

CHECKED: C.W DATE:

APPROVED: C.W DATE:

TITLE: **USB C FEMALE 16P CONNECTOR MID MOUNT, CH=0.10MM**

MATERIAL: PART NO: U06-CFXX5X-066 SIZE: A4

FINISH: DWG NO: U06-CFXX5X-066 1 OF 3

REV: A UNIT mm SCALE 1=1 QUALITY SYMBOLS

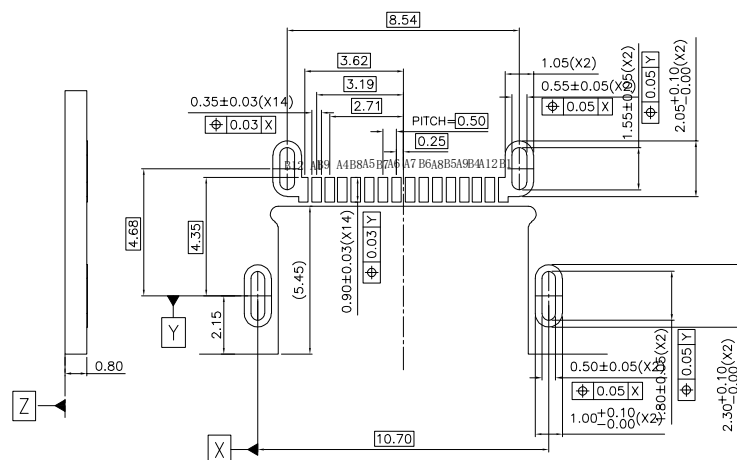
Website: www.bsc-elec.com
Email: bestcreate@bsc-elec.com

RoHS Compliant

REVISIONS			
REV.	DESCRIPTION	DATE	DESIGN

NOTES:

- Rated current:
Pin A1,A12 and B1,B12 total 8A Max
Pin A4,A9 and B4,B9 total 8A Max
Other Pin 0.25A Max
- Rated voltage:30V AC
- Contact resistance:
Initial: 40mΩ Max
After durability: 50mΩ Max
- Withstanding strength:100V AC for 1 minute
- Insulation resistance: 100MΩ Min. 1 minute
- Mechanical characteristics:
Insertion force:Initial 5N-20N,
After 10k cycles 5-20N
Extraction force:Initial 8N-20N,
After 1k cycles 8-20N,After 10k cycles 6-20N
- Durability: 10K cycles
- Operation Temperature Range:
-40 °C - 85 °C
- Salt spray:48 hours
- 符合ROHS&HF要求:



RECOMMENDED PCB LAYOUT
General Tolerance ±0.05mm

Bestcreate Technology Limited

TOLERANCES UNLESS OTHERWISE SPECIFIED:

.X	± 0.30	X'	± 2'
.XX	± 0.20	.XX'	± 1'
.XXX	± 0.10	.XXX'	± 0.5'

REV: A UNIT mm SCALE 1=1 QUALITY SYMBOLS

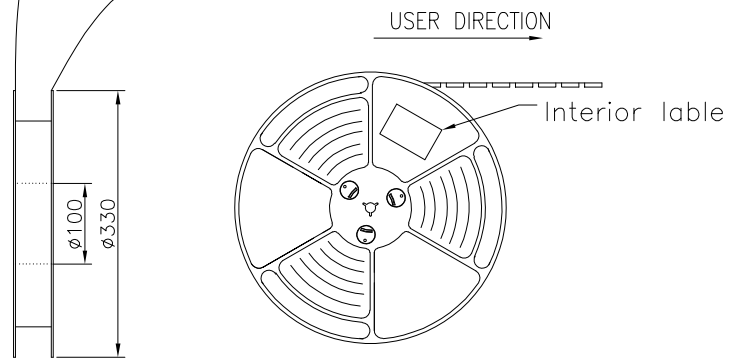
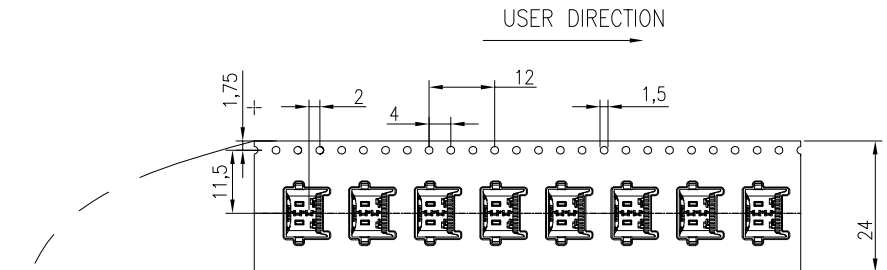
Website:www.bsc-elec.com
Email:bestcreate@bsc-elec.com

DESIGN: I.L DATE:
CHECKED: C.W DATE:
APPROVED: C.W DATE:

TITLE: USB C FEMALE 16P CONNECTOR MID MOUNT, CH=0.10MM
MATERILA: PART NO: U06-CFXX5X-066 SIZE: A4
FINSH: DWG NO: U06-CFXX5X-066 2 OF 3

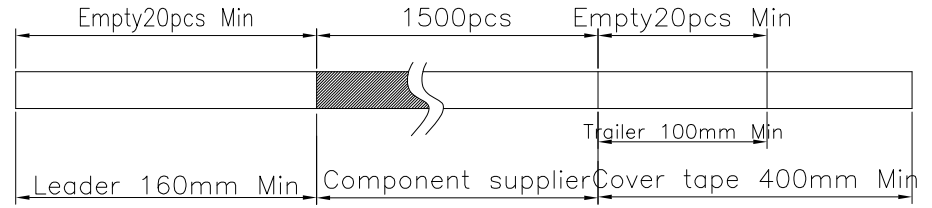
RoHS Compliant

REVISIONS			
REV.	DESCRIPTION	DATE	DESIGN

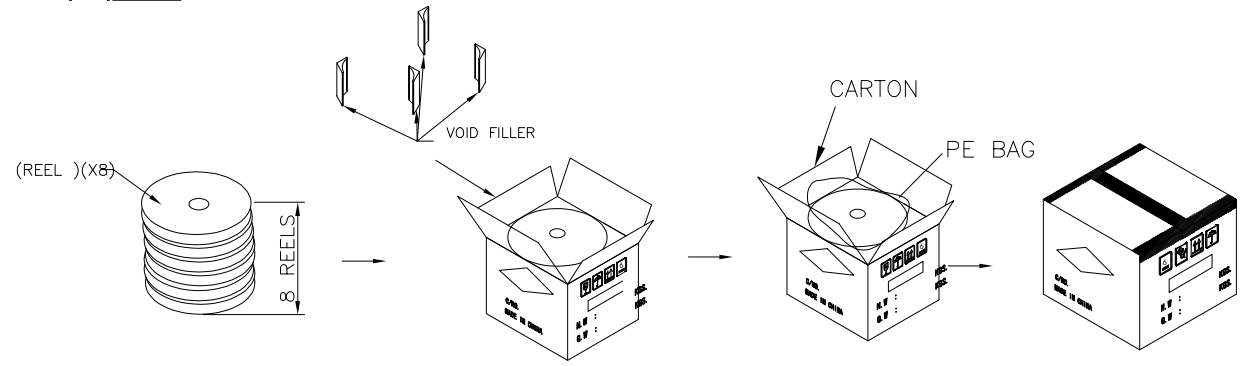


NOTES

1. Qty/reel:1500pcs
2. Lead tape length



3. Qty/Carton: 12000pcs
4. Other packaging requirements shall be reference to the customer's packaging specifications.



Bestcreate Technology Limited

TOLERANCES UNLESS OTHERWISE SPECIFIED:			
.X	± 0.30	X.'	± 2'
.XX	± 0.20	.XX'	± 1'
.XXX	± 0.10	.XXX'	± 0.5'

Website: www.bsc-elec.com
 Email: bestcreate@bsc-elec.com

DESIGN: I.L	DATE:
CHECKED: C.W	DATE:
APPROVED: C.W	DATE:

TITLE: USB C FEMALE 16P CONNECTOR MID MOUNT, CH=0.10MM		
MATERILA:	PART NO: U06-CFXX5X-066	SIZE: A4
FINSH:	DWG NO: U06-CFXX5X-066	3 OF 3

REV: A	UNIT mm	SCALE 1=1	QUALITY SYMBOLS
-----------	------------	--------------	-----------------