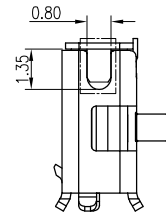
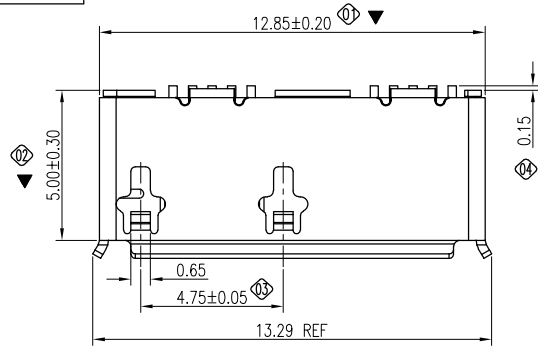


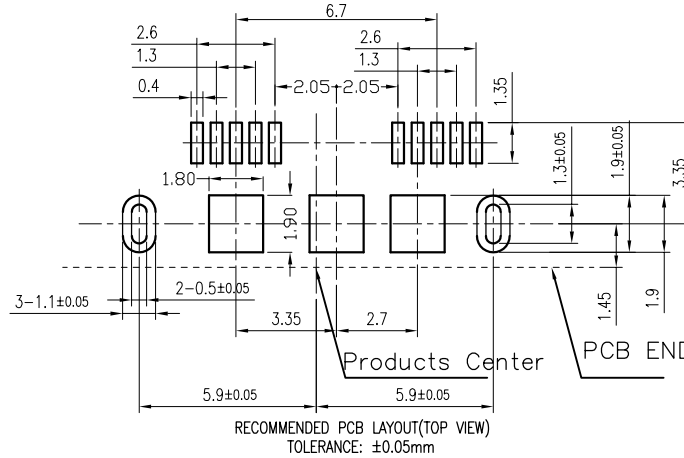
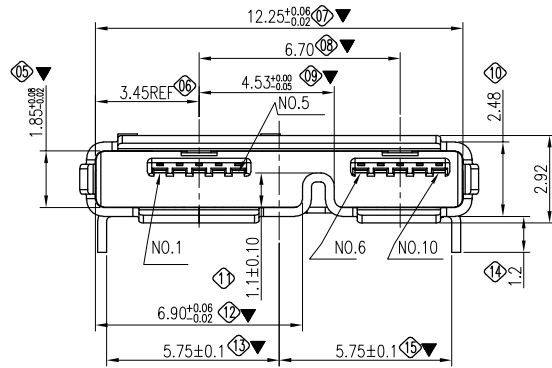
RoHS Compliant

| REVISIONS |             |      |        |
|-----------|-------------|------|--------|
| REV.      | DESCRIPTION | DATE | DESIGN |
|           |             |      |        |

| Pin Number | Signal Name |
|------------|-------------|
| 1          | VBUS        |
| 2          | D-          |
| 3          | D+          |
| 4          | ID          |
| 5          | GND         |
| 6          | MicB_SSTX-  |
| 7          | MicB_SSTX+  |
| 8          | GND_DRAIN   |
| 9          | MicB_SSRX-  |
| 10         | MicB_SSRX+  |
| Shell      | Shield      |



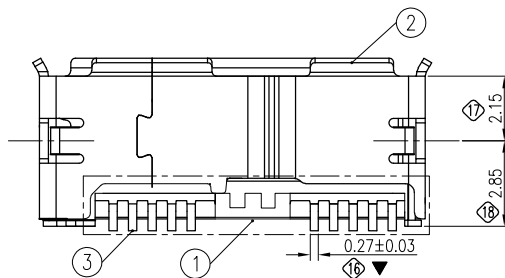
- NOTE:
- ELECTRICAL CHARACTERISTICS:
    - CONTACT RESISTANCE:30mΩ MAX.
    - RATED CURRENT:0.5A MAX.
    - RATED VOLTAGE:30V AC MAX.
    - INSULATION RESISTANCE 100 MΩ MIN.
    - OPERATING TEMPERATURE: -30°C~85°C
  - MECHANICAL CHARACTERISTICS:
    - MATING FORCE:35N MAX
    - UNMATING FORCE:10 MIN
    - DURABILITY:10,000 CYCLES(UNMATING FORCE:8~20N).



PART NO. INFORMATION

**U04-B F X X 5 R - 008**

- PORT TYPE  
B: TYPE B
- GENDER  
F: FEMALE  
M: MALE
- CONTACT PLATED  
1: GOLD FLASH  
2: GOLD 3U"  
3: GOLD 5U"  
4: GOLD 10U"  
5: GOLD 15U"  
6: GOLD 30U"
- PACKAGE  
R: TAPE REEL
- HOUSING COLOR  
2: WHITE  
5: BLACK  
9: NATURE
- HOUSING MATERIAL  
A: LCP B: PBT  
C: PA9T D: PA6T  
E: PA46 F: PA66



| ITEM | DESCRIPTION | Q'TY | MATERIAL | REMARK  |
|------|-------------|------|----------|---|
| ③    | CONTACT     | 10   | BRASS    | C2680 T=0.15mm,Select Gold on Contact area.80u"Min Tin on the Solder tails.50u"Min Ni Over all. |
| ②    | SHELL       | 1    | SPCC     | SUS304 T=0.3mm,50u"Min Ni Over all.   |
| ①    | HOUSING     | 1    | LCP      | UL94V-0; COLOR:BLACK  |

**Bestcreate Technology Limited**

|        |         |           |                 |
|--------|---------|-----------|-----------------|
| REV: A | UNIT mm | SCALE 1=1 | QUALITY SYMBOLS |
|--------|---------|-----------|-----------------|

|  |        |      |      |
|--|--------|------|------|
| TOLERANCES UNLESS OTHERWISE SPECIFIED: |        |      |      |
| X.                                     | ± 0.50 | X.*  | ± 3' |
| .X                                     | ± 0.25 | .X*  | ± 2' |
| .XX                                    | ± 0.15 | .XX* | ± 1' |
| Website:www.bsc-elec.com               |        |      |      |
| Email:bestcreate@bsc-elec.com          |        |      |      |

|                |                  |
|----------------|------------------|
| DESIGN: I. L   | DATE: 2017. 3. 1 |
| CHECKED: C. W  | DATE: 2017. 3. 1 |
| APPROVED: C. W | DATE: 2017. 3. 1 |

|  |                         |          |  |
|--|-------------------------|----------|--|
| TITLE: MICRO USB 3.0 AB<br>SMT 外壳两DIP脚 |                         |          |  |
| MATERILA:                              | PART NO: U04-BFXX5R-008 | SIZE: A4 |  |
| FINISH:                                | DWG NO: U04-BFXX5R-008  |          |  |