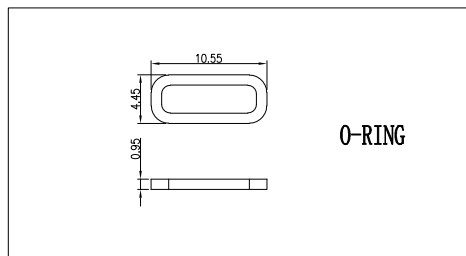
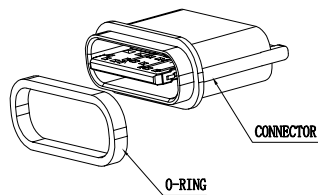
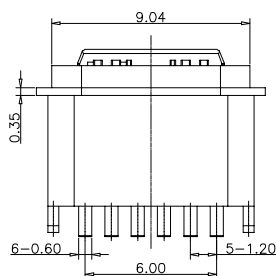
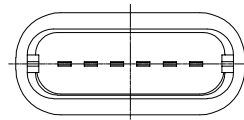
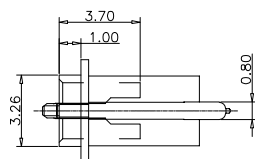
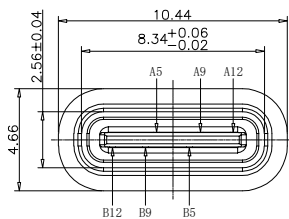
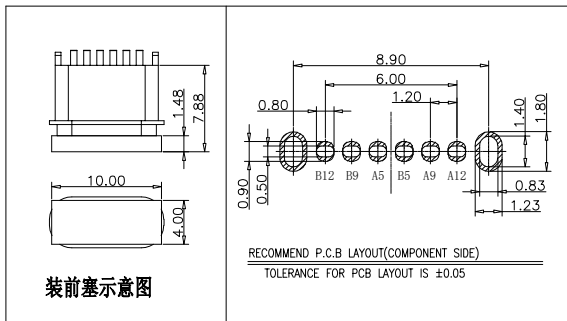
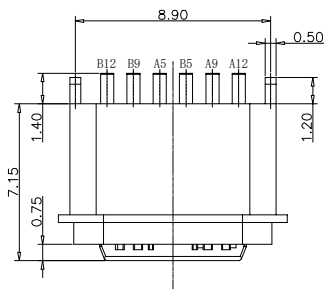


RoHS Compliant



NOTE:

- 1. ELECTRICAL:
 - 1.1. CONTACT: CONTACT RESISTANCE 40mΩ Max, 10mΩ LESS OR MORE IS ALLOWED. TEST CONDITION: 20mv, 100mA .
 - 1.2. CURRENT ON CONTACT: 3A VBUS PIN-OUT; 1.25A FOR GND ; 0.25A FOR OTHERS.
 - 1.3. RATED VOLTAGE: 30V.
 - 1.4. WITHSTAND VOLTAGE: 100VR. M. S.
 - 1.5. INSULATION RESISTANCE: AT LEAST 100megohm .
- 2. MECHANICAL:
 - 3.1. MATING FORCE: 0.51-2.04Kg
 - 3.2. UNMATING FORCE: 0.82-2.04Kg
 - 3.3. LIFETIME: 10000 TIMES.
 - 4. WORKING TEMPERATURE: -20°C to +85°C.

USB TYPE C PIN ASSIGNMENTS

PIN NUMBER	SIGNAL NAME	PIN NUMBER	SIGNAL NAME
		B12	GND
		B9	VBUS
A5	CC1		
		B5	CC2
A9	VBUS		
A12	GND		

PART NO. INFORMATION

U06-C F X X 5 R - W024

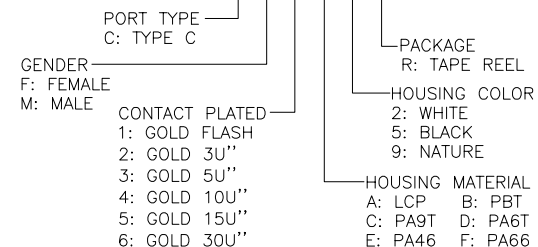


TABLE:

NO	PART	Q'TY	Material
1	SHELL	1	ZINC ALLOY, NI PLATED
2	CONTACT	6	COPPER STEEL, TIN/AU/NI PLATED
3	1MD HOUSING	1	HIGH TEMPERATURE RESISTANT PLASTIC BLACK UL94 V-0

Bestcreate Technology Limited

TOLERANCES UNLESS OTHERWISE SPECIFIED:

.X	± 0.20	.X.	± 5'
.XX	± 0.15	.X'	± 2'
.XXX	± 0.10	.XX'	± 1'

Website: www.bsc-elec.com
Email: bestcreate@bsc-elec.com

DESIGN: I. L DATE:

CHECKED: C. W DATE:

APPROVED: C. W DATE:

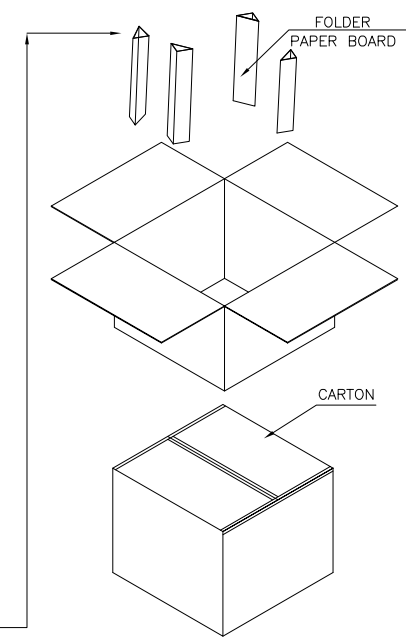
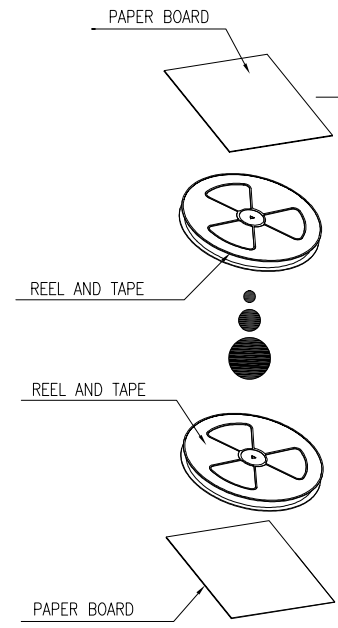
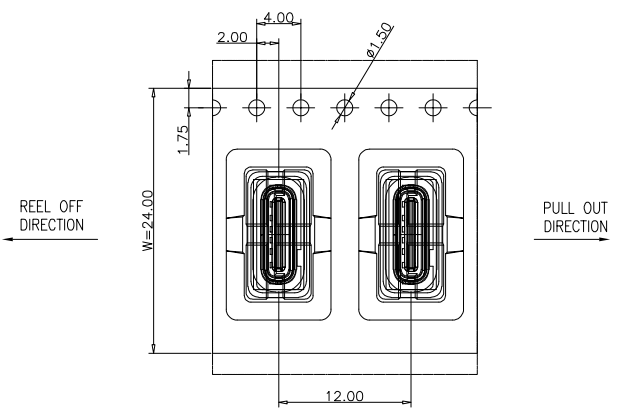
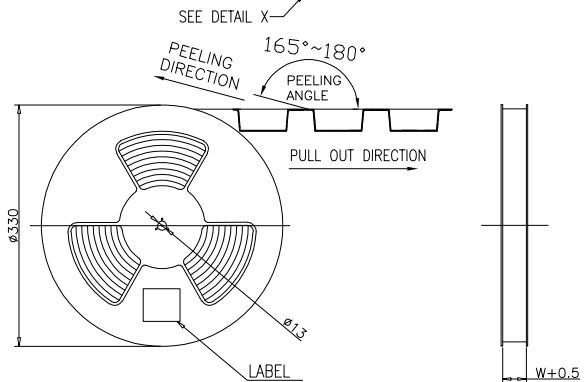
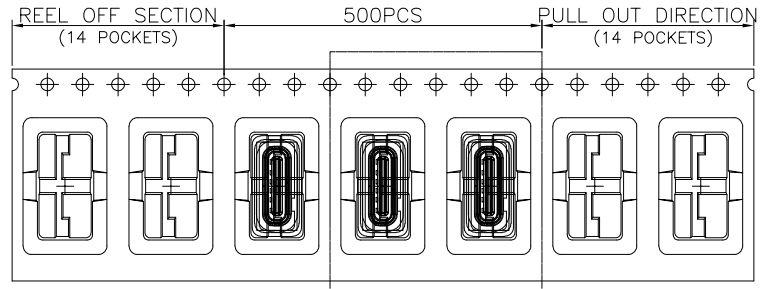
TITLE: **IPX7 Waterproof USB TYPE C 6P FEMALE CONNECTOR L=7.15mm**

MATERIAL:	PART NO: U06-CFXX5R-W024	SIZE: A4
FINISH:	DWG NO: U06-CFXX5R-W024	1 OF 2

REV: A UNIT mm SCALE 1=1 QUALITY SYMBOLS

RoHS Compliant

REVISIONS			
REV.	DESCRIPTION	DATE	DESIGN



	REEL	CARTON
CONNECTOR (PCS)	500	5000

Bestcreate Technology Limited

TOLERANCES UNLESS OTHERWISE SPECIFIED:

.X	± 0.20	X.*	± 5'
.XX	± 0.15	.X*	± 2'
.XXX	± 0.10	.XX*	± 1'

DESIGN: I.L DATE:

CHECKED: C.W DATE:

APPROVED: C.W DATE:

TITLE: IPX7 Waterproof USB TYPE C 6P FEMALE CONNECTOR L=7.15mm

MATERILA: PART NO: U06-CFXX5R-W024 SIZE: A4

FINSH: DWG NO: U06-CFXX5R-W024 2 OF 2

Website:www.bsc-elec.com
Email:bestcreate@bsc-elec.com

REV: A UNIT mm SCALE 1=1 QUALITY SYMBOLS