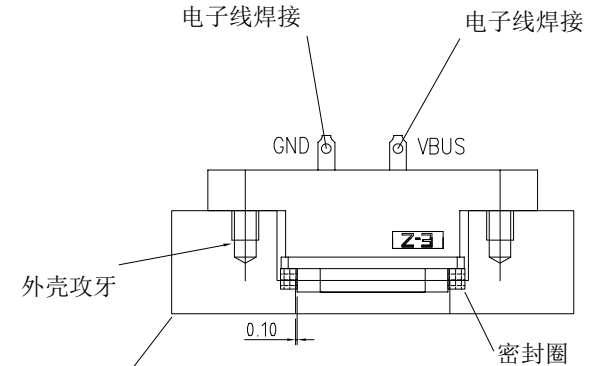
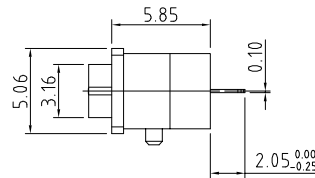
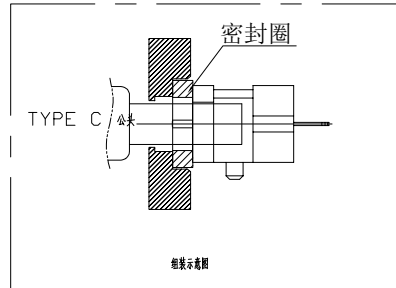
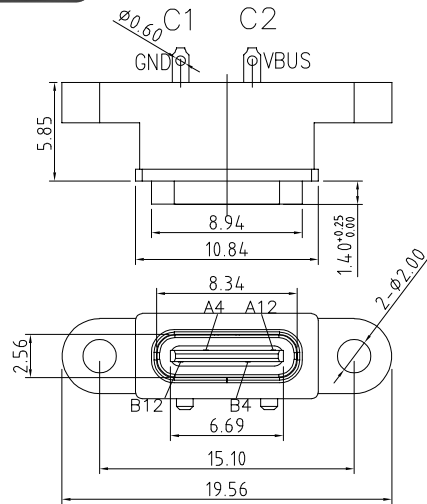


RoHS Compliant



使用参考说明图  
无需PCB板, 可直接接线

NOTES:

SPECIFICATION:

- CURRENT RATING: 3.0A MAX
- DIELECTRIC WITHSTAND VOLTAGE: 100VAC
- TEMPERATURE RANGE: -30 °C ~ 85 °C
- CONTACT RESISTANCE: 40 MILLIONHM MAX
- INSULATION RESISTANCE: 100 MEGOHMS MIN.
- INSERTION FORCE : 5N~20N
- UNMATING FORCE: 8N~20N
- DURABILITY:5000 CYCLES

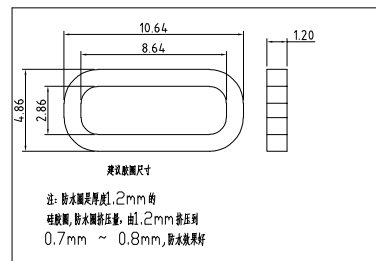
PIN ASSIGNMENT

PIN NO.	A12&B12	A4&B4
SINGAL NAME	GND	VBUS
PCB PAD NO.	C1	C2

INTERFACE(FRONT VIEW)

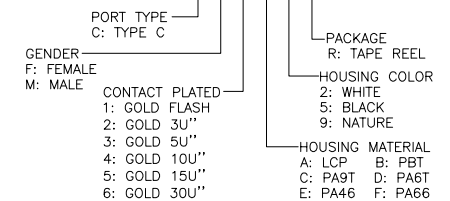
A1	A2	A3	A4	A5	A6	A7	A8	A9	A10	A11	A12
			VBUS								
GND								VBUS			
B12	B11	B10	B9	B8	B7	B6	B5	B4	B3	B2	B1

5	Shell2	1	SUS304 Ni Plating T=0.20mm	Ni40~120u <sup>2</sup> ;
4	Shell1	1	SUS304 Ni Plating T=0.3mm	Ni40~120u <sup>2</sup> ;
3	Housing2	1	LCP(G.F30%)	
2	Contact	4	Phosphor bronze_C5210R-EH Au/Ni Plating T=0.20mm	Ni40~160u <sup>2</sup> ; Au:CONTACT AREA:3u <sup>2</sup> ; OTHER AREA:G/F
1	Housing	1	PA9T (G.F30%)	
ITEM	PARTNAME	Q'TY	FINISH	NOTE



PART NO. INFORMATION

U06-C F X X 5 R - W102



Bestcreate Technology Limited

TOLERANCES UNLESS OTHERWISE SPECIFIED:

X.	± 0.50	X.*	± 5*
.X	± 0.30	.X*	± 2*
.XX	± 0.10	.XX*	± 1*

Website: www.bsc-elec.com  
Email: bestcreate@bsc-elec.com

DESIGN: I.L DATE:

CHECKED: C.W DATE:

APPROVED: C.W DATE:

TITLE: IPX8 WATERPROOF 2P USB C FEMALE CONNECTOR FOR WIRE SOLDERING

MATERILA:	PART NO: U06-CFXX5R-W102	SIZE: A4
FINSH:	DWG NO: U06-CFXX5R-W102	1 OF 1

REV: A	UNIT mm	SCALE 1=1	QUALITY SYMBOLS
--------	---------	-----------	-----------------