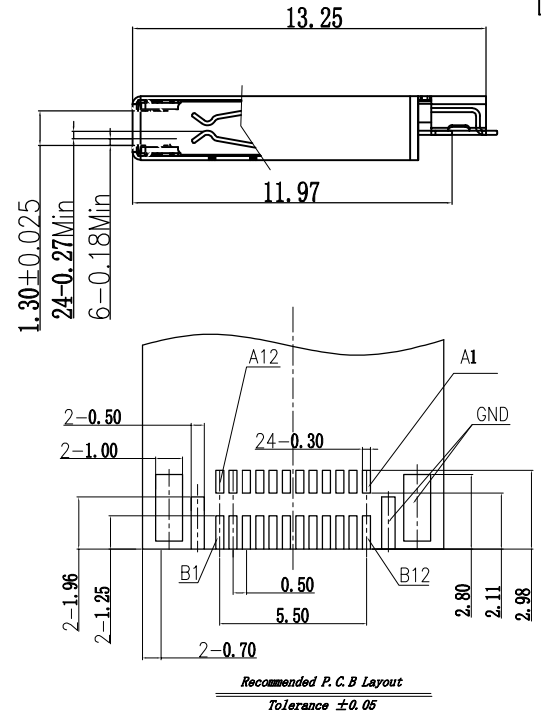
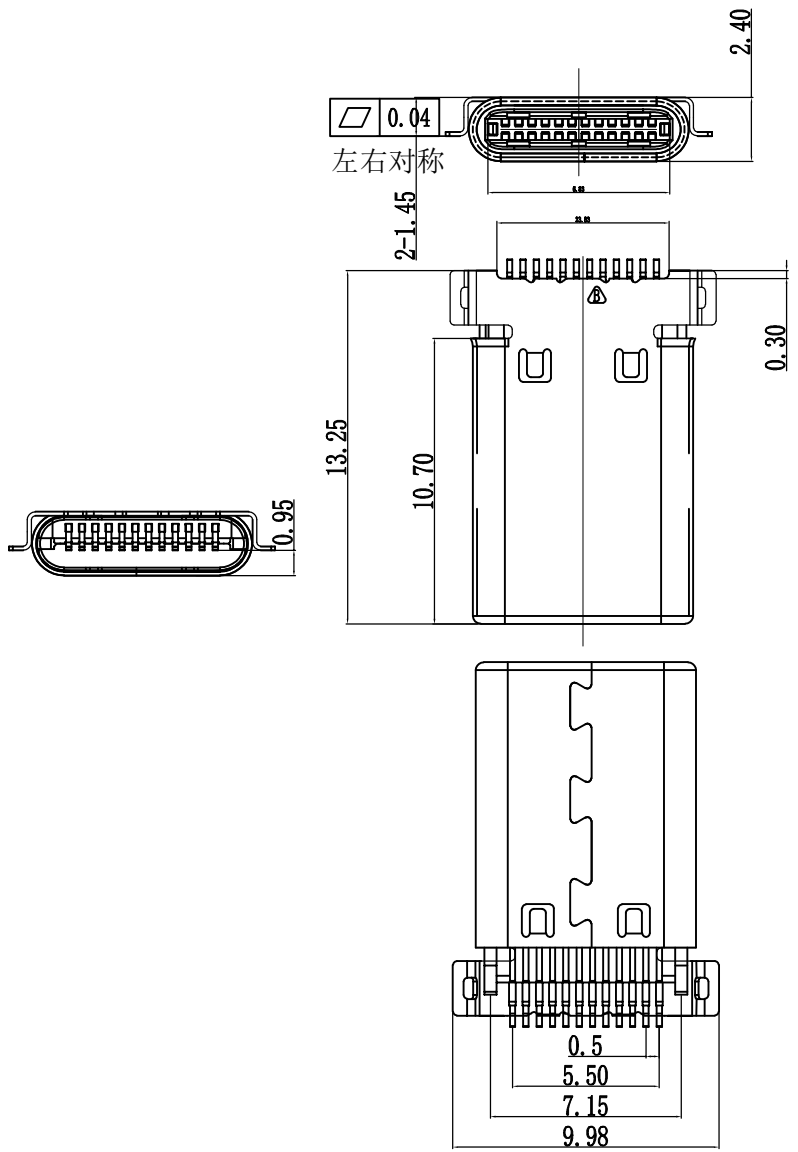


RoHS Compliant

REVISIONS			
REV.	DESCRIPTION	DATE	DESIGN

A  
B  
C  
D

A  
B  
C  
D



A12	A11	A10	A9	A8	A7	A6	A5	A4	A3	A2	A1
GND	RX2+	RX2-	Vbus	SBU1	D-	D+	CC	Vbus	TX1-	TX1+	GND
GND	TX2+	TX2-	Vbus	Vconn			SBU2	Vbus	RX1-	RX1+	GND
B1	B2	B3	B4	B5	B6	B7	B8	B9	B10	B11	B12

- Material:
  - Contacts: Copper alloy T=0.15
  - Insulator: HIGH TEMPERATURE PLASTIC UL 94V-0,
  - Shell: STEEL T=0.15
- Electrical:
  - Current-max[amps]: 5A Max For Vbus/GND PIN;  
0.9A Max For Other PIN.
  - Withstanding Voltage: 100V AC R. M. S
  - Contact Resistance [ohms]: 40mΩ Max. For  
Initial 10mΩ. Change After  
Test. Measure AT 20mV, 100mA
  - Insulation Resistance [ohms]: 100 mΩ min.
- MECHANICAL CHARACTERISTICS:
  - Mating force: 5~20N
  - Unmated Force: 6~20N After test.
  - Durability: 10000 cycles min.
- Plating:
  - Contacts: SEE TABLE Au plated on contact area,  
Bright Tin plating 80-100u"Min on solder area  
Nickel Under plating 20u"Min over all
  - Shell : plating 20~50u"Nickel over CU
- Environmental
  - Temperature Range: -40° C~+85° C

PART NO. INFORMATION

**U06-C M X X 5 R - 002 - V2**

PORT TYPE  
C: TYPE C

GENDER  
F: FEMALE  
M: MALE

CONTACT PLATED  
1: GOLD FLASH  
2: GOLD 3U"  
3: GOLD 5U"  
4: GOLD 10U"  
5: GOLD 15U"  
6: GOLD 30U"

PACKAGE  
R: TAPE REEL

HOUSING COLOR  
2: WHITE  
5: BLACK  
9: NATURE

HOUSING MATERIAL  
A: LCP B: PBT  
C: PA9T D: PA6T  
E: PA46 F: PA66

**Bestcreate Technology Limited**

TOLERANCES UNLESS OTHERWISE SPECIFIED:					
X.	±	0.30	X.*	±	10°
.X	±	0.20	.X*	±	8°
.XX	±	0.10	.XX*	±	5°
Website: www.bsc-elec.com					
Email: bestcreate@bsc-elec.com					

DESIGN: I. L	DATE:
CHECKED: C. W	DATE:
APPROVED: C. W	DATE:

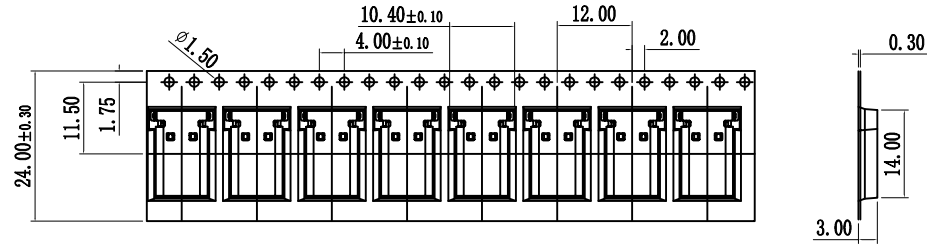
TITLE: <b>TYPE C 24P SMT MALE CONNECTOR</b>		
MATERIAL:	PART NO: U06-CMXX5R-002-V2	SIZE: A4
FINISH:	DWG NO: U06-CMXX5R-002-V2	

REV: A	UNIT mm	SCALE 1=1	QUALITY SYMBOLS
-----------	------------	--------------	-----------------

1 2 3 4 5 6 7 8

RoHS Compliant

REVISIONS			
REV.	DESCRIPTION	DATE	DESIGN



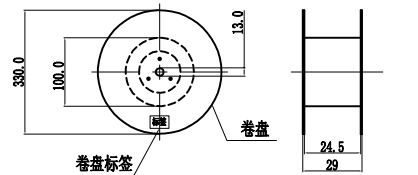
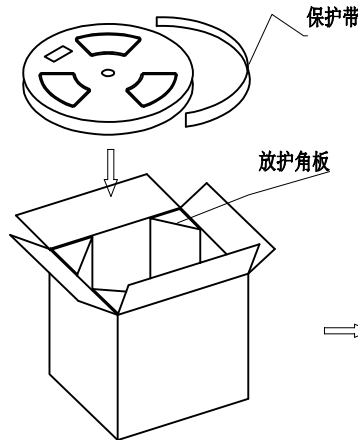
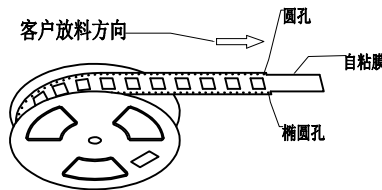
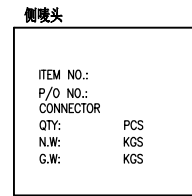
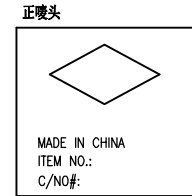
NOTES:

1. 包装数量: 13KPCS箱/10卷/1300PCS/; 当订单量和尾数不足18KPCS时可以合理选择纸箱规格。
2. 每箱放四袋干燥剂;
3. 纸箱封盖后以封箱胶封箱, 并于侧面贴上出货标签;
4. 外箱规格: 35\*35\*33.5cm;  
卷盘规格: φ330\*29mm;

包装收料方向

客户出料方向

净重:	10.2Kg
毛重:	16.3Kg



USER DIRECTION OF FEED

序号	包装名称	数量	单位
6	防水袋	1	PCS
5	护角	4	PCS
4	出货标签	1	PCS
3	外纸箱	1	PCS
2	干燥剂	4	PCS
1	卷盘	10	SET

**Bestcreate Technology Limited**

TOLERANCES UNLESS OTHERWISE SPECIFIED:

X.	±	0.30	X.*	±	10°
.X	±	0.20	.X*	±	8°
.XX	±	0.10	.XX*	±	5°

DESIGN: I. L DATE:

CHECKED: C. W DATE:

APPROVED: C. W DATE:

TITLE: TYPE C 24P SMT MALE CONNECTOR

MATERIAL: PART NO: U06-CMXX5R-002-V2 SIZE: A4

FINISH: DWG NO: U06-CMXX5R-002-V2

Website: www.bsc-elec.com  
Email: bestcreate@bsc-elec.com

REV: A	UNIT: mm	SCALE: 1=1	QUALITY SYMBOLS
--------	----------	------------	-----------------