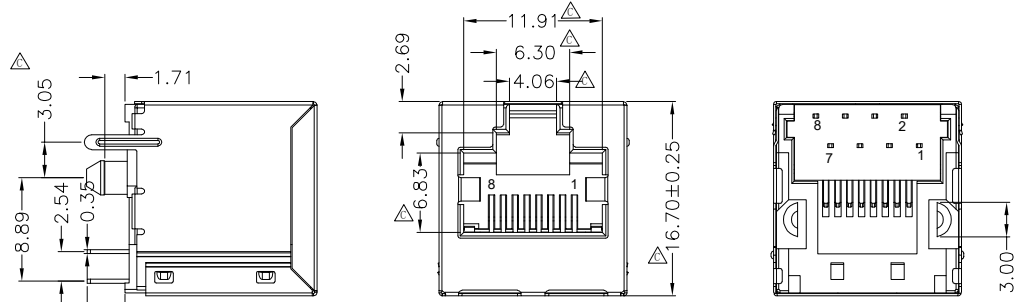


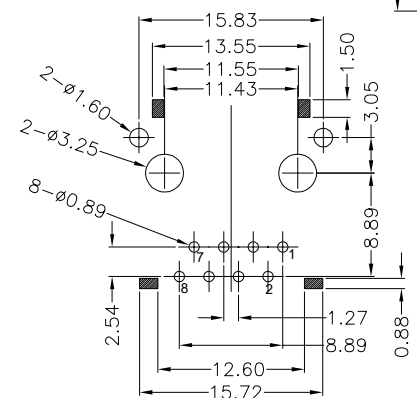
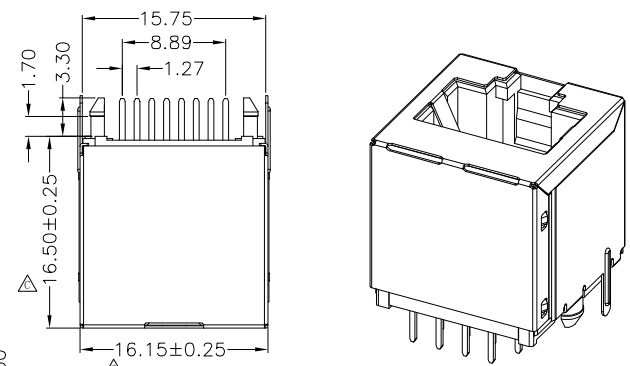
RoHS Compliant

REVISIONS			
REV.	DESCRIPTION	DATE	DESIGN



Note:

- MATERIAL:
 - 1-1.HOUSING&INSERT MATERIAL: PBT UL94V-0 BLACK
 - 1-2.CONTACT MATERIAL: COPPER ALLOY T=0.35mm.
 - 1-3.SHELL: COPPER ALLOY,T=0.20mm.
- PLATING:
 - 2-1.TERMINAL:GOLD PLATING AT CONTACT AREA
NICKEL 30U"MIN.TIN FEET PLATING GOLD FLASH
 - 2-2.SHELL: BRASS,T=0.20mm.
30U"NICKEL PLATING OVERALL
- ELECTRICAL:
 - 3-1.CONTACT CURRENT RATING : 1.5A
 - 3-2.DIECTRIC WITHSTANDING VOLTAGE:1000V AC OR 1500V DC RMS AT 0.50mA 50 Hz/60Hz FOR 1MINUTE
 - 3-3.CONTACT RESITANCE:40 m OHMS MAX.
- MECHANICAL:
 - 4-1.MATING/UNMATING FORCE: 30N/3.06KG MAX.
 - 4-2OPERATING LIFE:750 CYCLES MIN.
 - 4-3. RETENTION STRENGTH:50N MIN FOR 60S±5S.



RECOMMEND PCB LAYOUT VIEW(COMPONENT SIDE)
THICKNESS=1.60mm(ALL TOLERANCE =±0.05)

PART NO. INFORMATION
RJ01- X 5 0 X - 083

CONTACT PLATED
1: G/F 2: AU 3U"
3: AU 6U" 4: AU 15U"
5: AU 30U"

PACKAGE
R: TAPE REEL
T: TRAY

Bestcreate Technology Limited

TOLERANCES UNLESS OTHERWISE SPECIFIED:		DESIGN: I. L	DATE: 2017. 3. 1	TITLE: RJ45 WITHOUT TRANSFORMER, SINGLE PORT, SHIELD	
.X ± 0.35	.X' ± 3'	CHECKED: C. W	DATE: 2017. 3. 1	MATERILA:	PART NO: RJ01-X50X-083
.XX ± 0.25	.X' ± 2'	APPROVED: C. W	DATE: 2017. 3. 1	FINSH:	DWG NO: RJ01-X50X-083
.XXX ± 0.15	.XX' ± 1'	Website:www.bsc-elec.com		SIZE: A4	
Email:bestcreate@bsc-elec.com					

REV: A	UNIT: mm	SCALE: 1=1	QUALITY SYMBOLS
--------	----------	------------	-----------------