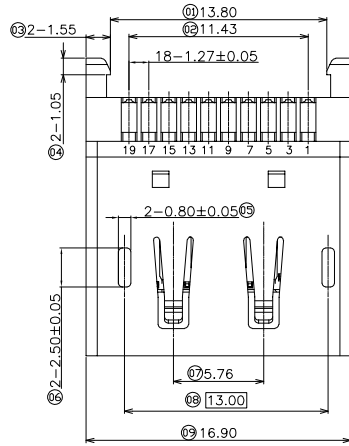


RoHS Compliant

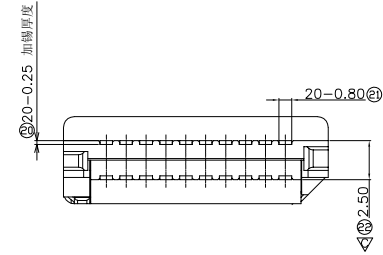
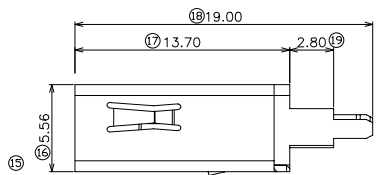
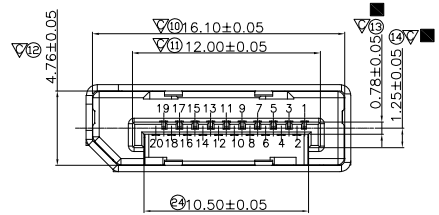
REVISIONS			
REV.	DESCRIPTION	DATE	DESIGN

A

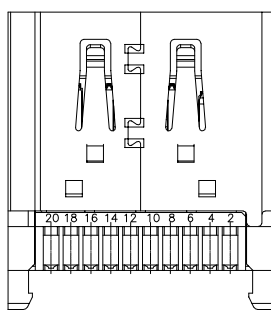


PIN	定义	PIN	定义
1	ML_Lane0 (P)	11	GND
2	GND	12	ML_Lane3 (N)
3	ML_Lane0 (N)	13	CFG1
4	ML_Lane1 (P)	14	CFG2
5	GND	15	AUX (HLP)
6	ML_Lane1 (N)	16	GND
7	ML_Lane2 (P)	17	AUX (HLP)
8	GND	18	HOT PLUG
9	ML_Lane2 (N)	19	Return (for Pwr)
10	ML_Lane3 (P)	20	DP-PWR (3.3V 500mA)

B



C



NONES:

1. 材质:

- 1) 塑胶: LCP+30%G/F, UL 94V-0, 颜色: 黑色
- 2) 端子: 材质: C2680-H T=0.20
镍底: 50~100μ 镀金G/F
- 3) 外壳: 材质: 铁料 SPCC T=0.40
镍底: 50~100μ

2. 电气特性:

- 1) 接触阻抗: 30mΩ MAX (初始) FOR VBUS AND GND CONNECTS, 其它50mΩ MAX (初始) 环境与寿命测试后的变化值: +10Ω MAX
- 2) 绝缘阻抗: 100MΩ MIN.
- 3) 额定电流: 1.5A
- 4) 耐压: 100V AC (RMS)

3. 机械特性

- 1) 插入力: 44.1N MAX.
- 2) 拔出力: 9.8N (初始) MIN.
寿命测试后: 8N MIN.
- 3) 寿命: 10000 CYCLES

4. 环境特性: 使用温度: -40° C-85° C

5. 符合本公司环境物质管理标准

标记 ▽ 为重点管控尺寸.

标记 ⊗ 为FAI尺寸.

标记 ■ 为CPK尺寸.

PART NO. INFORMATION

DP09-F 1 A 5 X - 023-A

GENDER:
F: FEMALE
M: MALE

CONTACT PLATED
1: GOLD FLASH
2: GOLD 3U"
3: GOLD 5U"
4: GOLD 10U"
5: GOLD 15U"
6: GOLD 30U"

PACKAGE
R: TAPE REEL T: TRAY
HOUSING COLOR
2: WHITE
5: BLACK
9: NATURE
HOUSING MATERIAL
A: LCP B: PET
C: PA9T D: PA6T
E: PA46 F: PA66

D

Bestcreate Technology Limited

TOLERANCES UNLESS OTHERWISE SPECIFIED:

.X	± 0.35	.X'	± 2'
.XX	± 0.25	.X'	± 1'
.XXX	± 0.15	.XX'	± 0.5'

Website: www.bsc-elec.com
Email: bestcreate@bsc-elec.com

DESIGN:	DATE:
I. L	2017. 3. 1
CHECKED:	DATE:
C. W	2017. 3. 1
APPROVED:	DATE:
C. W	2017. 3. 1

TITLE: DISPLAYPORT FEMALE CONNECTOR FOR WIRE SOLDERING		
MATERILA:	PART NO: DP09-F1A5X-023-A	SIZE: A4
FINSH:	DWG NO: DP09-F1A5X-023-A	

REV: A	UNIT mm	SCALE 1=1	QUALITY SYMBOLS
-----------	------------	--------------	-----------------