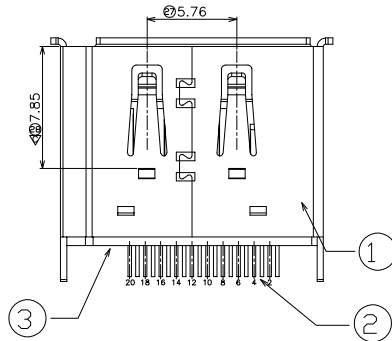
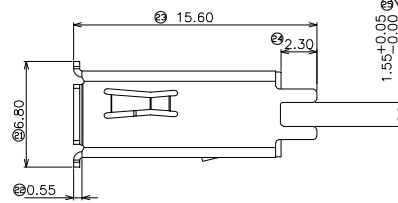
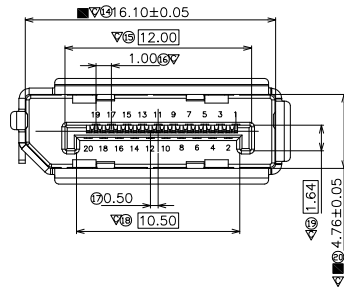
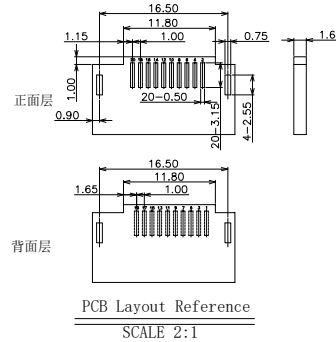
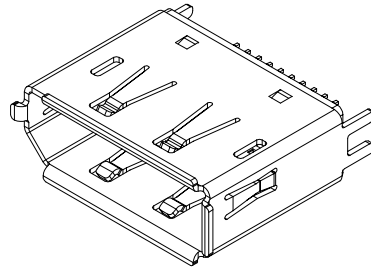
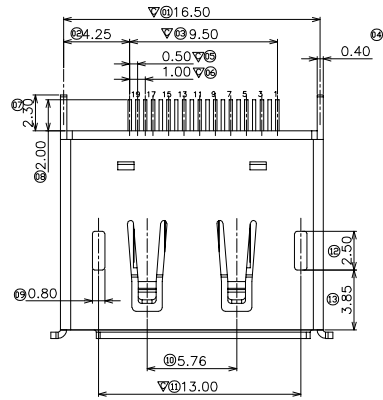


RoHS Compliant

REVISIONS			
REV.	DESCRIPTION	DATE	DESIGN



PIN	定义	PIN	定义
1	ML_Lane0 (P)	11	GND
2	GND	12	ML_Lane3 (N)
3	ML_Lane0 (N)	13	CFG1
4	ML_Lane1 (P)	14	CFG2
5	GND	15	AUX (HLP)
6	ML_Lane1 (N)	16	GND
7	ML_Lane2 (P)	17	AUX (HLP)
8	GND	18	HOT PLUG
9	ML_Lane2 (N)	19	Return (for Pwr)
10	ML_Lane3 (P)	20	DP-PWR (3.3V 500mA)

NONES:

- 电气特性:
  - 接触阻抗: 30mΩ MAX (初始) FOR VBUS AND GND CONNECTS, 其它 50mΩ MAX (初始)
  - 环境与寿命测试后的变化值: +10Ω MAX
  - 绝缘阻抗: 100MΩ MIN.
  - 额定电流: 1.5A
  - 耐压: 100V AC (RMS)
- 机械特性
  - 插入力: 35N MAX.
  - 拔出力: 10N (初始) MIN. 寿命测试后: 8N MIN.
  - 寿命: 5000 CYCLES
  - 环境特性: 使用温度: -40° C-85° C

标记▽为重点管控尺寸.

标记⊗为FAI尺寸.

标记■为CPK尺寸.

PART NO. INFORMATION

DP09-F 1 A 5 X - 022 - V1-B

GENDER	F: FEMALE	M: MALE	CONTACT PLATED	1: GOLD FLASH	2: GOLD 3U"	3: GOLD 5U"	4: GOLD 10U"	5: GOLD 15U"	6: GOLD 30U"	PACKAGE	R: TAPE REEL	T: TRAY
HOUSING COLOR	2: WHITE	5: BLACK	9: NATURE	HOUSING MATERIAL	A: LCP	B: PBT	C: PA9T	D: PA6T	E: PA46	F: PA66		

NO.	材料名称	材质	颜色	备注
3	外壳	SPCC	—	GOLD/NICKEL PLATED
2	端子	C2680	—	GOLD/TIN PLATED
1	胶芯	LCP	BLACK	UL 94V-0

Bestcreate Technology Limited

TOLERANCES UNLESS OTHERWISE SPECIFIED:

.X	± 0.35	.X'	± 2'
.XX	± 0.25	.X''	± 1'
.XXX	± 0.15	.XX'	± 0.5'

Website: www.bsc-elec.com

Email: bestcreate@bsc-elec.com

DESIGN:

I.L

CHECKED:

C.W

APPROVED:

C.W

DATE:

2017.3.1

DATE:

2017.3.1

DATE:

2017.3.1

TITLE:

STRADDLE MOUNT 1.6MM DP FEMALE CONNECTOR WITH FLANGE

MATERILA:

FINSH:

PART NO: DP09-F1A5X-022-V1-B

DWG NO: DP09-F1A5X-022-V1-B

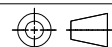
SIZE: A4

REV: A

UNIT mm

SCALE 1=1

QUALITY SYMBOLS



1

2

3

4

5

6

7

8