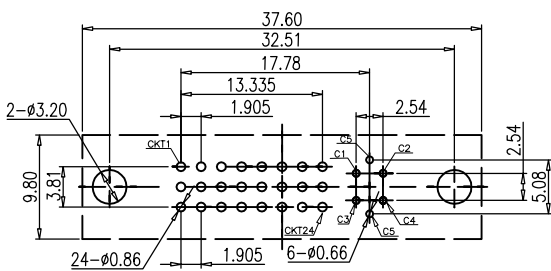
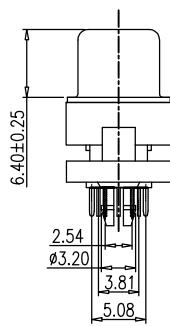
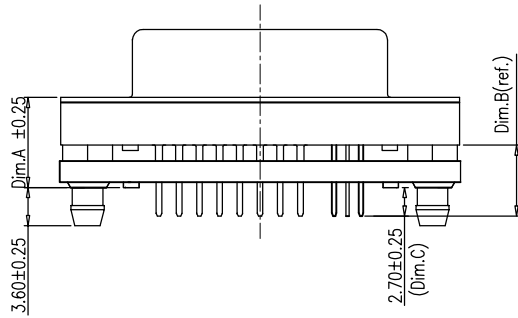
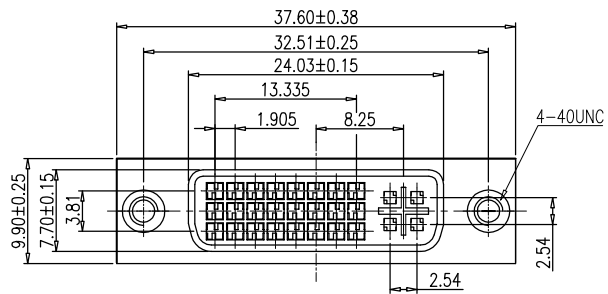


RoHS Compliant

REVISIONS			
REV.	DESCRIPTION	DATE	DESIGN



RECOMMENDED P.C.B LAYOUT

- NOTE:
- MATERIALS AND FINISHED
 INSULATOR : PA66 +30%GF UL 94V-0,
 SHELL : STEEL, FINISHED SEE PART NO.
 CONTACT MATERIAL : BRASS, SELEVITE GOLD FINISHED
 RIVETED INSERT: BRASS MATERIAL ,TIN FINISHED
 WITH #4-40 THREADED ASSEMBLED
 - ELECTRICAL CHARACTERISTICS
 CURRENT RATING : 1.5 AMP DC
 VOLTAGE RATING: 40 V DC
 CONTACT RESISTANCE :20 MILLIOHMS MAX.
 DIELECTRIC WITHSTANDING VOLTAGE : 500 V AC MIN.
 INSULATION RESISTANCE : 1000 MEGAOHMS MIN.
 - MECHANICAL
 MATING FORCE:4.5Kgf MAX.
 UNMATING FORCE:1.0-4.0 Kgf
 - ENVIRONMENTAL
 OPERATING TEMPERATURE: -55°C ~ +85°C
 STORAGE TEMPERATURE:-55°C ~ +105°C
 - HOW TO ORDER:

DVFS2-245XXXXN-XXX10

Female

S2: Straight Pin
(W/Plastic Cover)

180: 18+0Pin
185: 18+5Pin
240: 24+0Pin
245: 24+5Pin

S: Selevite Gold Bright TIN

1:G/F" 3: 3u" 7: 15u"
2:2u" 6: 10u"

1. Front Ni Back SN
2. Front Gold Back SN
5. Full Ni

B: Black
W: White
N: PA66

O: RoHS
1: Dim.C=2.70
A: Dim.A=9.60/Dim.B=7.80
G: Dim.A=8.80/Dim.B=7.00
K: Dim.A=6.50/Dim.B=7.00/Dim.C=3.00
1: Dim.A=6.20/Dim.B=4.40
2: Dim.A=9.10/Dim.B=7.30
3: Dim.A=10.0/Dim.B=8.20
4: Dim.A=10.5/Dim.B=8.70
5: Dim.A=11.5/Dim.B=9.70
6: Dim.A=12.0/Dim.B=10.2
7: Dim.A=14.0/Dim.B=12.2
8: Dim.A=14.5/Dim.B=12.7
9: Dim.A=15.0/Dim.B=13.2

0: None
1: 4.8*8.5 Copper Screws
2: 4.8*8.5 Steel Screws
5: 4.8*11.8 Copper Screws
6: 4.8*11.8 Steel Screws
7: 4.8*10.0 Copper Screws
8: 4.8*10.0 Steel Screws
G: 5.8*9.5 Copper Screws
H: 5.8*9.5 Steel Screws

A: No screw type
B: Ass'y screw type
C: Attach screw type

Bestcreate Technology Limited

TOLERANCES UNLESS OTHERWISE SPECIFIED:

.X	± 0.38	X.'	± 3"
.XX	± 0.25	.X'	± 2"
.XXX	± 0.15	.XX'	± 1"

Website: www.bsc-elec.com
 Email: bestcreate@bsc-elec.com

DESIGN:	I. L	DATE:	2017. 3. 1
CHECKED:	C. W	DATE:	2017. 3. 1
APPROVED:	C. W	DATE:	2017. 3. 1

TITLE: DVI (24+5) CONNECTOR 180D PCB MOUNT		
MATERILA:	PART NO: DVFS2-245XXXXN-XXX10	SIZE: A4
FINSH:	DWG NO: DVFS2-245XXXXN-XXX10	

REV: A	UNIT: mm	SCALE: 1=1	QUALITY SYMBOLS
--------	----------	------------	-----------------