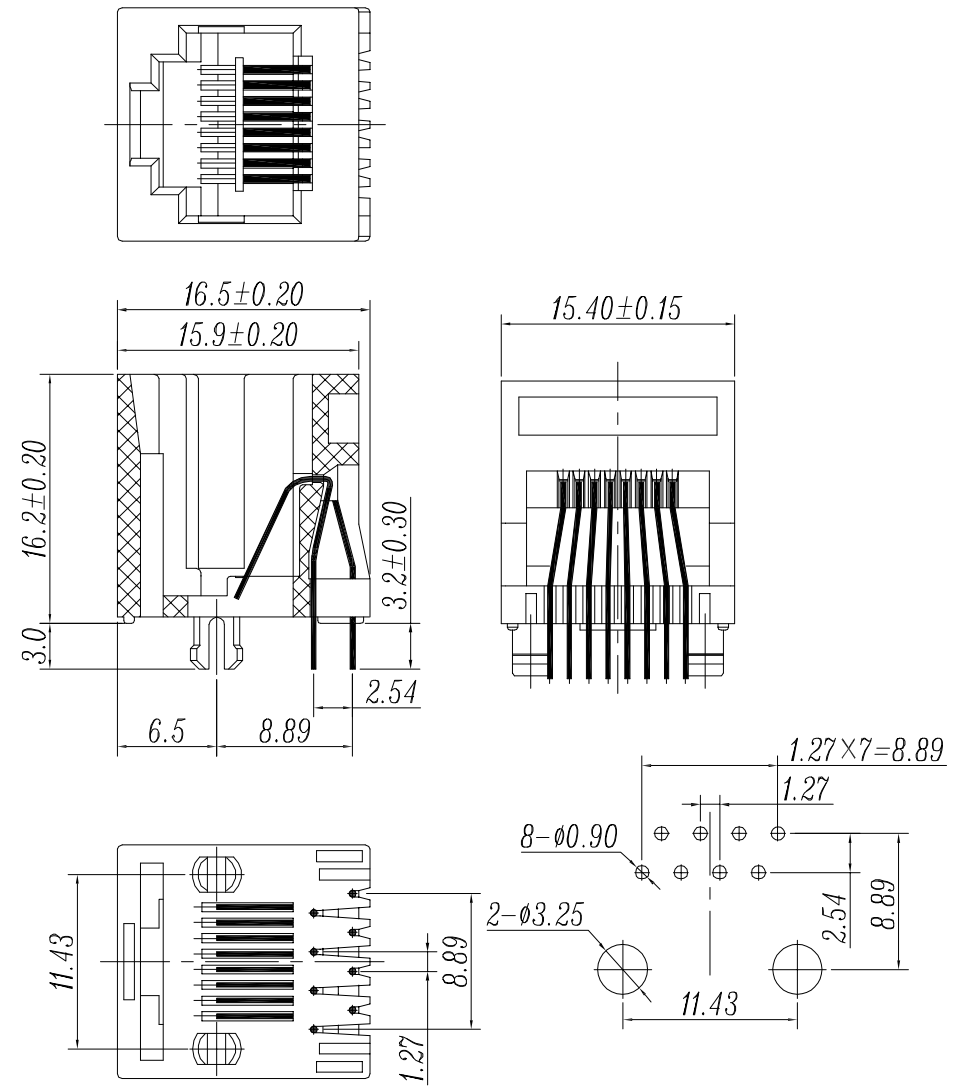


RoHS Compliant

REVISIONS			
REV.	DESCRIPTION	DATE	DESIGN



NOTES

MATERIAL  
 1. HOUSING MATERIAL : PBT UL94V-0.  
 2. CONTACT MATERIAL : PHOSPHOR BRONZE  $\phi 0.46\text{mm}$ .  
 3. PLATING : GOLD FLASH PLATING OVER NICKEL.

ELECTRICAL  
 1. VOLTAGE RATING : 125 VAC RMS.  
 2. CURRENT RATING : 1.5 AMP.  
 3. CONTACT RESISTANCE : 40 MILLIOHMS MAX.  
 4. INSULATION RESISTANCE : 500 MEGOHMS MIN @ 100V DC .  
 5. DIELECTRIC DIELECTRIC RESISTANCE : 500V DC RMS 50Hz. 1MIN.

MECHANICAL  
 1. DURRABILITY : 750 CYCLES MIN.  
 2. MATING/UNMATING FORCE : 2.04 KG. F MAX.

ENVIRONMENTAL :  
 1. STORAGE :  $-40^{\circ}\text{C} \sim +85^{\circ}\text{C}$ .  
 2. OPERATION :  $0^{\circ}\text{C TO } 70^{\circ}\text{C}$ .

PART NO. INFORMATION

**RJ01- X 5 2 X - 050**

CONTACT PLATED  
 1: G/F 2: AU 3U"  
 3: AU 6U"  
 PACKAGE  
 R: TAPE REEL  
 T: TRAY  
 HOUSING:  
 1:LCP BLACK  
 2:PBT BLACK

**Bestcreate Technology Limited**

TOLERANCES UNLESS OTHERWISE SPECIFIED:			
.X	± 0.35	X.	± 3'
.XX	± 0.30	.X'	± 2'
.XXX	± 0.15	.XX'	± 1'

Website: [www.bsc-elec.com](http://www.bsc-elec.com)  
 Email: [bestcreate@bsc-elec.com](mailto:bestcreate@bsc-elec.com)

DESIGN:	DATE:
I. L	2017. 3. 1
CHECKED:	DATE:
C. W	2017. 3. 1
APPROVED:	DATE:
C. W	2017. 3. 1

TITLE:		
VERTICAL RJ45 FEMALE CONNECTOR DIP TYPE		
MATERILA:	PART NO:	SIZE:
	RJ01-X52X-050	A4
FINSH:	DWG NO:	
	RJ01-X52X-050	

REV:	UNIT	SCALE	QUALITY SYMBOLS
A	mm	1=1	