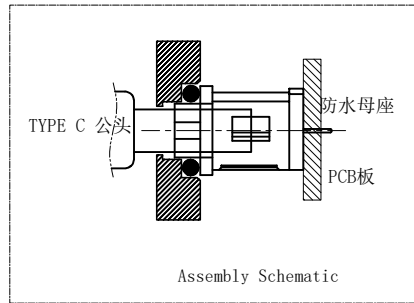
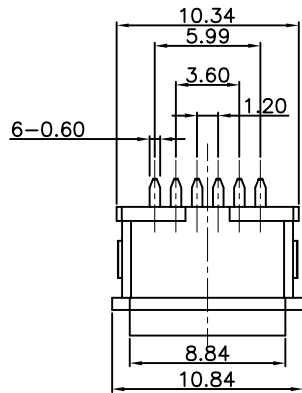


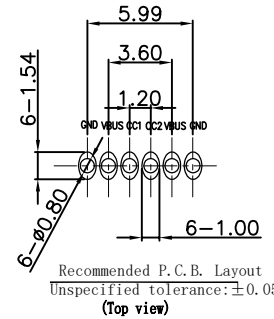
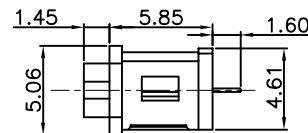
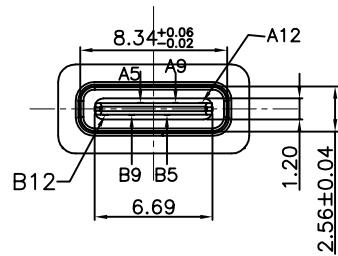
RoHS Compliant

REVISIONS			
REV.	DESCRIPTION	DATE	DESIGN



NOTES:
SPECIFICATION:

1. CURRENT RATING: 3.0A MAX
2. DIELECTRIC WITHSTAND VOLTAGE: 100VAC
3. TEMPERATURE RANGE: -30 °C ~ 85 °C
4. CONTACT RESISTANCE: 40 MILLIONHM MAX
5. INSULATION RESISTANCE: 100 MEGOHMS MIN.
6. INSERTION FORCE : 5N~20N
7. UNMATING FORCE: 8N~20N
8. DURABILITY:5000 CYCLES

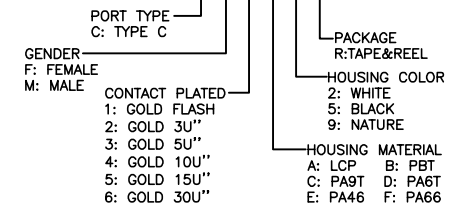


RECOMMENDED PCB LAYOUT(TOP VIEW)

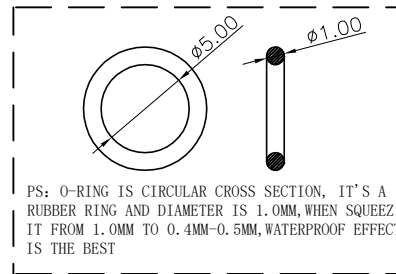
THICKNESS T=1.0mm
DEFAULT TOLERANCE+/-0.05

PART NO. INFORMATION

U06-C F X X 5 R - W063



A5	CC1	B12	GND
A9	VBUS	B9	VBUS
A12	GND	B5	CC2
PIN	SIGNAL NAME	PIN	SIGNAL NAME



4	Shell1	1	SUS301 Ni Plating T=0.25mm	Ni: 40~120u";
3	Housing2	1	LCP(G.F30%)	
2	Contact	5	Phosphor bronze C5210R-EH Au/Ni Plating T=0.20mm	Ni: 40~160u"; Au: CONTACT AREA: 3u", OTHER AREA: G/F
1	Housing	1	PA9T (G.F30%)	
ITEM	PART NAME	Q' TY	FINISH	NOTE

Bestcreate Technology Limited

TOLERANCES UNLESS OTHERWISE SPECIFIED:

.X	± 0.30	X."	± 2"
.XX	± 0.10	.X"	± 1"
.XXX	± 0.50	.XX"	± 0.5"

Website:www.bsc-elec.com
Email:bestcreate@bsc-elec.com

DESIGN: I. L DATE:

CHECKED: C. W DATE:

APPROVED: C. W DATE:

TITLE:

IPX8 6P Waterproof USB C Female Connector Vertical DIP

MATERILA:

FINSH:

PART NO:

DWG NO:

SIZE: A4

U06-CFXX5R-W063
U06-CFXX5R-W063

REV: A UNIT mm SCALE 1=1 QUALITY SYMBOLS