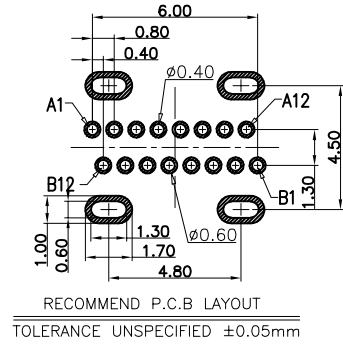
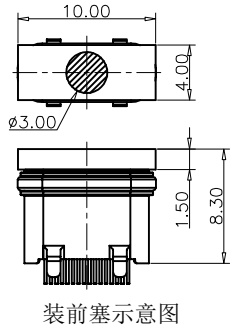
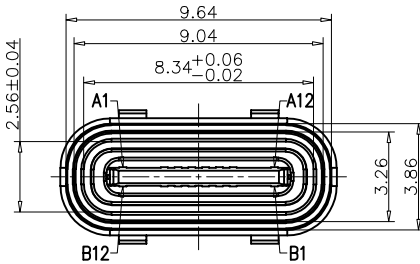
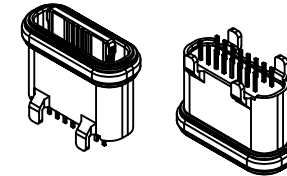
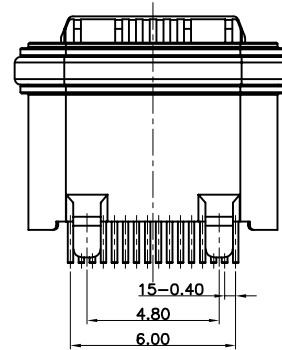
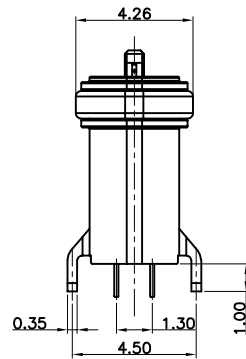
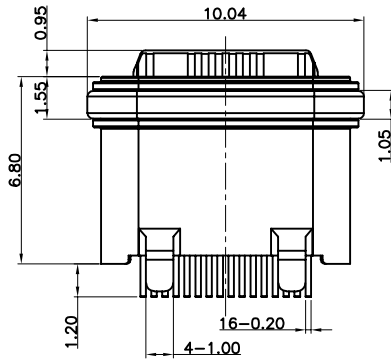


RoHS Compliant



- NOTES:
SPECIFICATION:
1.CURRENT RATING: 3.0 A
2.VOLTAGE RATING: 3.0 V
3.VBUS & GND PINS AND OTHER PINS: 40mΩ/PIN MAX
SHIELD: 50mΩ/MAX
LLCR MAX. CHANGE OF ALL PINS: 10Qm
4.INSULATION RESISTANCE: 100MΩ MIN
5.DIELECTRIC WITHSTAND VOLTAGE,AC 100V FOR 1MINUTE
6.INSERTION FORCE: 0.5~2.0kgf
7.UNMATING FORCE: 0.8~2.0kgf
8.DURABILITY: 10000 CYCLES
9.OPERATING TEMPERATURE: -35°C~+85°C
10.THE PEAK TEMPERATURE ON THE BOARD SHALL BE MAINTAINED FOR 10 SECONDS AT 210-230°C
11.WATERPROOF:IP-X7.



USB TYPE C PIN ASSIGNMENTS

PIN NUMBER	SIGNAL NAME	PIN NUMBER	SIGNAL NAME
A1	GND	B12	GND
A4	VBUS	B9	VBUS
A5	CC1	B8	SBU2
A6	DP1	B7	DN2
A7	DN1	B6	DP2
A8	SBU1	B5	CC2
A9	VBUS	B4	VBUS
A12	GND	B1	GND

PART NO. INFORMATION

U06-C F X X 5 X - W064

- PORT TYPE
C: TYPE C
- GENDER
F: FEMALE
M: MALE
- CONTACT PLATED
1: GOLD FLASH
2: GOLD 3U"
3: GOLD 5U"
4: GOLD 10U"
5: GOLD 15U"
6: GOLD 30U"
- HOUSING COLOR
2: WHITE
5: BLACK
9: NATURE
- HOUSING MATERIAL
A: LCP B: PBT
C: PA9T D: PA6T
E: PA46 F: PA66
- PACKAGE
R: TAPE&REEL

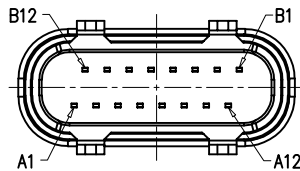


TABLE:

NO	PART	Q'TY	Material
1	SHELL	1	ZINC ALLOG,NI30u"Min PLATED
2	CONTACT	16	C7025,TIN80u"/Au3u"/NI30u"PLATED
3	MID PLATE	1	SUS301,NO PLATING
4	HOUSING	1	LCP(E130i) UL94 V-0 BLACK
5	CAP	1	LCP UL94 V-0 BLACK
6	WATERPROOF RING	1	SILICONE(SI/60-65A) UL94 V-0 BLACK

Bestcreate Technology Limited

TOLERANCES UNLESS OTHERWISE SPECIFIED:

.X	± 0.30	X.'	± 2'
.XX	± 0.10	.X'	± 1'
.XXX	± 0.05	.XX'	± 0.5'

Website:www.bsc-elec.com

Email:bestcreate@bsc-elec.com

DESIGN: I. L DATE:

CHECKED: C. W DATE:

APPROVED: C. W DATE:

TITLE: IPX7 Waterproof 16P Type CF Connector Vertical DIP,L=6.8mm

MATERILA: PART NO: U06-CFXX5X-W064 SIZE: A4

FINSH: DWG NO: U06-CFXX5X-W064

REV: A UNIT mm SCALE 1=1 QUALITY SYMBOLS