

RoHS Compliant

REVISIONS			
REV.	DESCRIPTION	DATE	DESIGN

NOTES

MATERIAL

- 1. HOUSING MATERIAL : THERMO PLASTICS UL94V-0.
- 2. CONTACT MATERIAL : PHOSPHOR BRONZE  $\phi$ 0.46mm.
- 3. PLATING : GOLD FLASH PLATING OVER NICKEL.

ELECTRICAL

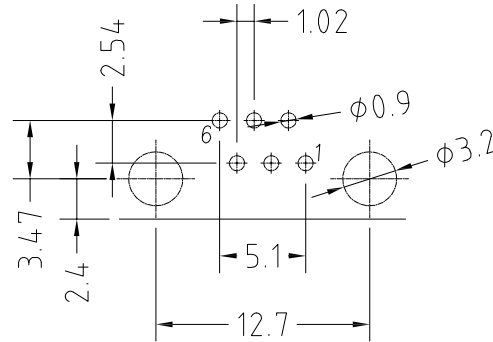
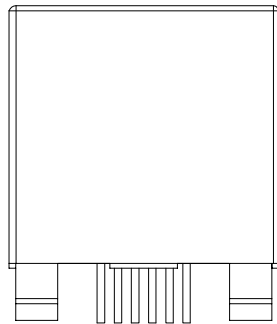
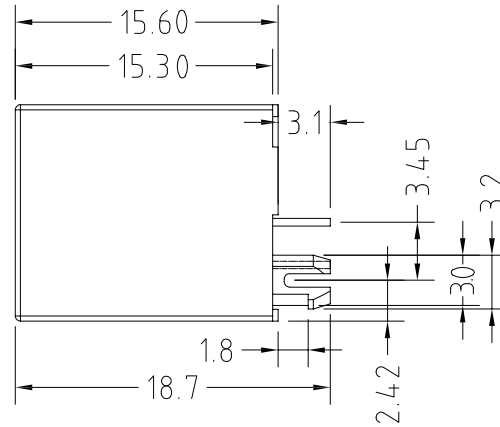
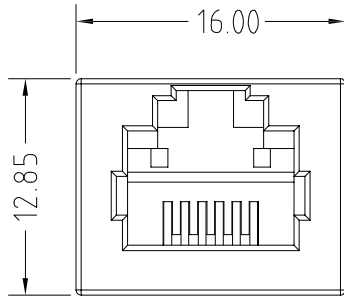
- 1. VOLTAGE RATING : 125 VAC RMS.
- 2. CURRENT RATING : 1.5 AMP.
- 3. CONTACT RESISTANCE : 40 MILLIOHMS MAX.
- 4. INSULATION RESISTANCE : 500 MEGOHMS MIN @ 100V DC .
- 5. DIELECTRIC DIELECTRIC RESISTANCE : 500V DC RMS 50Hz. 1MIN.

MECHANICAL

- 1. DURRABILITY : 750 CYCLES MIN.
- 2. MATING/UNMATING FORC : 2.24 KG. F MAX.

ENVIRONMENTAL:

- 1. OPERATION : -40°C~+85°C.
- 2. STORAGE : -40°C~+85°C.



SUGGESTED PCB LAYOUT  
(TOP VIEW)

PART NO. INFORMATION

**RJ01- X 5 X X - 103**

CONTACT PLATED

- 1: G/F
- 2: AU 3U"
- 3: AU 6U"

- PACKAGE
- R: TAPE REEL
  - T: TRAY

HOUSING:  
1:PBT BLACK

**Bestcreate Technology Limited**

TOLERANCES UNLESS OTHERWISE SPECIFIED:

.X	± 0.35	X'	± 3'
.XX	± 0.25	.X"	± 2"
.XXX	± 0.15	.XX'	± 1'

Website: [www.bsc-elec.com](http://www.bsc-elec.com)  
Email: [bestcreate@bsc-elec.com](mailto:bestcreate@bsc-elec.com)

DESIGN: I. L. DATE: 2017. 3. 1

CHECKED: C. W. DATE: 2017. 3. 1

APPROVED: C. W. DATE: 2017. 3. 1

TITLE: RJ11 6P6C CONNECTOR DIP TYPE H=15.6MM

MATERILA: FINSH: PART NO: RJ01-X5XX-103 SIZE: A4

DWG NO: RJ01-X5XX-103

REV: A	UNIT mm	SCALE 1=1	QUALITY SYMBOLS
--------	---------	-----------	-----------------