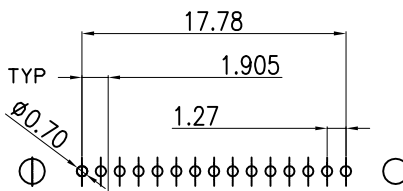
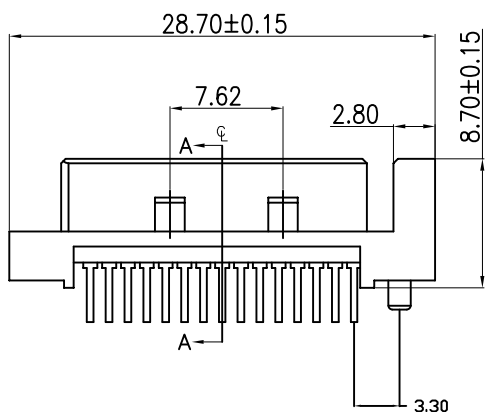
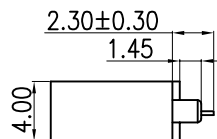
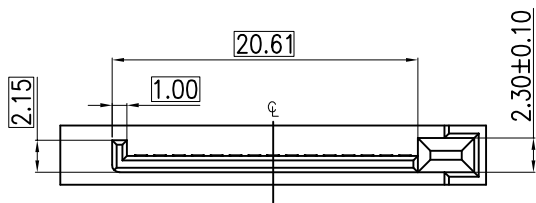
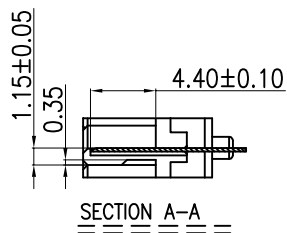
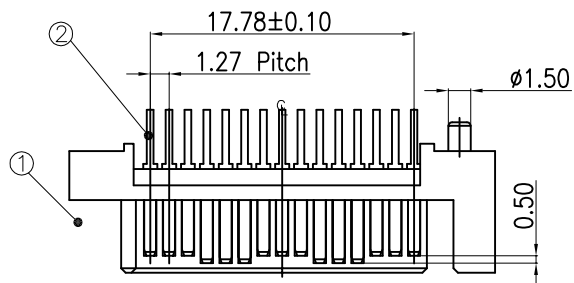


RoHS Compliant

REVISIONS			
REV.	DESCRIPTION	DATE	DESIGN



③	/		
②	TERMINAL	BRASS C2680-H T=0.25 AU G/F	15PCS
①	HOUSING	LCP BLACK UL94-V0 ROHS2.0	1PCS
NO	P. NAME	SPECIFICATIONS	USAGE

NOTES:

1. Terminal Plating:

NI 30U" min plated over terminal
(全区域镀镍 ≥30U")
AU G/F plated on contact area
(接触区镀金G/F)

2. Electrical parameters: (电气性能)

Dielectric withstanding voltage: 100 VAC for 1 minute
(耐压测试: 100V AC 1分钟)
Low level contact resistance (LLCR): Initially
30 mΩ maximum
(接触电阻: ≤30 mΩ)
Insulation resistance: 1000 MΩ minimum
(绝缘阻抗: ≥1000 MΩ)
Contact current rating: 1.5A 40V AC.
(额定电流: 1.5A 40V AC)

3. Mechanical parameters: (机械性能)

Insertion force: 45 N Max. (插入力 ≤45N)
Removal force : 10N Min (拔出力: ≥10N)
Single pin retention force: 5N Min
(pin针保持力: ≥5N)

4. Flammability: UL 94V-0

(可燃性: UL 94V-0)

PART NO. INFORMATION

S150 - M X A 5 T -008

GENDER
F: FEMALE
M: MALE

CONTACT PLATED
1: GOLD FLASH/TIN
2: 15U" GOLD/TIN
3: 30U" GOLD/TIN

PACKAGE
T: TRAY
R: TAPE REEL

HOUSING COLOR
5: BLACK

HOUSING MATERIAL
A: LCP

Bestcreate Technology Limited

TOLERANCES UNLESS OTHERWISE SPECIFIED:

X.	± 0.25	X.*	± 3'
.X	± 0.15	.X*	± 2'
.XX	± 0.10	.XX*	± 1'

Website: www.bsc-elec.com
E-mail: bestcreate@bsc-elec.com

DESIGN: I.L
DATE: 2017.3.1

CHECKED: C.W
DATE: 2017.3.1

APPROVED: C.W
DATE: 2017.3.1

TITLE: SATA 15P B MALE CONNECTOR DIP TYPE

MATERILA: PART NO: S150-MXA5T-008 SIZE: A4

FINSH: DWG NO: S150-MXA5T-008 SHEET: 1 OF 1

REV: A UNIT mm SCALE 1=1 QUALITY SYMBOLS