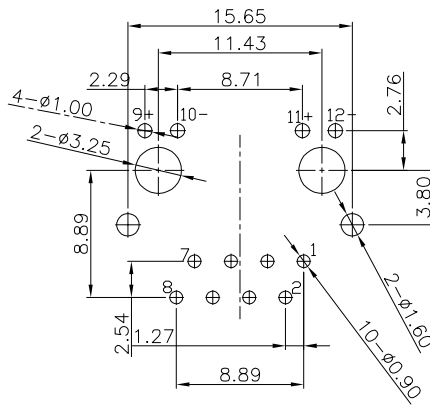
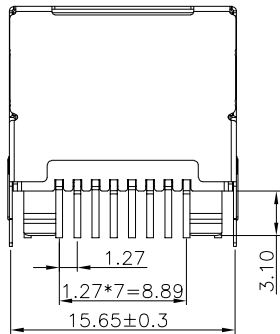
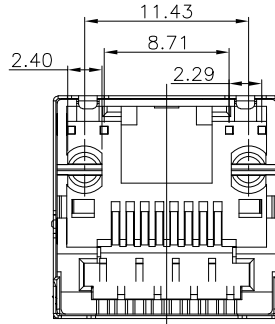
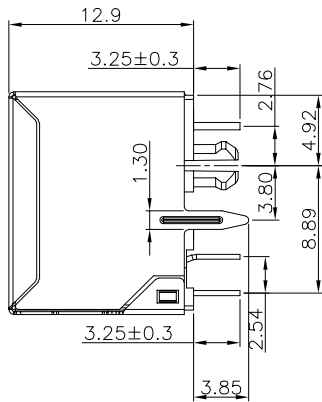
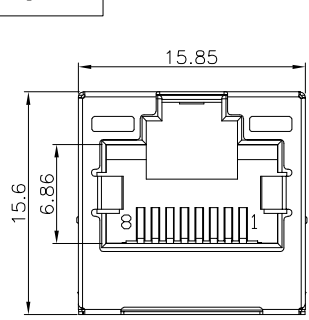
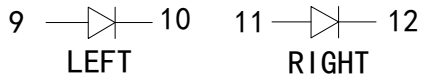


RoHS Compliant



PCB LAYOUT T=1.6  
TOL:±0.05



REVISIONS			
REV.	DESCRIPTION	DATE	DESIGN

NOTES

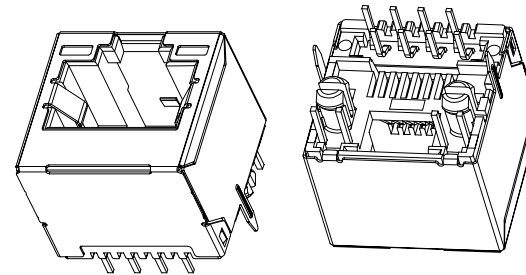
- ELECTRICAL
- 1. VOLTAGE RATING : 125 VAC RMS.
  - 2. CURRENT RATING : 1.5 AMP.
  - 3. CONTACT RESISTANCE : 40 MILLIOHMS MAX.
  - 4. INSULATION RESISTANCE : 500 MEGOHMS MIN @ 100V DC .
  - 5. DIELECTRIC DIELECTRIC RESISTANCE : 500V DC RMS 50Hz. 1MIN.

MECHANICAL

- 1. DURRABILITY : 750 CYCLES MIN.
- 2. MATING/UNMATING FORC: 2.24 KG. F MAX.

ENVIRONMENTAL:

- 1. OPERATION : -40°C~+85°C.
- 2. STORAGE : -40°C~+85°C.



Standard LED Color	LED Wavelength	Foward(A)	Foward(V)
Green	568nm	20mA	1.85-2.45V
Yellow	585nm	20mA	1.7-2.2V

6	1.4x3.2x4.0 平头半透明亮锡绿灯	1	SPCC T=0.5mm	胶体半透明绿色发绿光
5	1.4x3.2x4.0 平头半透明亮锡黄灯	1	SPCC T=0.5mm	胶体半透明黄色发黄光
4	RJ45 立式12.7H DIP有灯外壳	1	C2680 T=0.35mm	镍50u"
3	RJ45 立式12.7H端子	8	C5191 T=0.35mm	Au/亮锡100u"/NI 50u"
2	RJ45 立式12.7H DIP插芯半成品	1	LCP UL94V-0	
1	RJ45 立式12.7H有柱有灯主体	1	LCP UL94V-0	
NO.	PART NAME	Q'TY	MATERIAL	PLATING & COLOR

PART NO. INFORMATION

**RJ01- X 1 A X - 079**

CONTACT PLATED

- 1: G/F 2: AU 3U"
- 3: AU 5U" 4: AU 10U"
- 5: AU 15U" 6: AU 30U"

- PACKAGE
- R: TAPE REEL
- T: TRAY

- HOUSING:
- A:LCP BLACK
- C:PBT BLACK

B:PA9T BLACK

- LED COLOR:
- 1:L-YELLOW R-GREEN
- 2:L-GREEN R-YELLOW

8	—
7	—
6	RX-
5	—
4	—
3	RX+
2	TX-
1	TX+
PIN序	说明

**Bestcreate Technology Limited**

TOLERANCES UNLESS OTHERWISE SPECIFIED:

.X	± 0.35	.X'	± 3'
.XX	± 0.25	.X''	± 2'
.XXX	± 0.15	.XX''	± 1'

Website:www.bsc-elec.com

Email:bestcreate@bsc-elec.com

DESIGN: I.L DATE: 2017. 3. 1

CHECKED: C.W DATE: 2017. 3. 1

APPROVED: C.W DATE: 2017. 3. 1

TITLE: VERTICAL RJ45 CONNECTOR  
12.7H DIP TYPE WITH LEDs

MATERIAL: PART NO: RJ01-X1AX-079 SIZE: A4

FINISH: DWG NO: RJ01-X1AX-079

REV: A	UNIT mm	SCALE 1=1	QUALITY SYMBOLS
--------	---------	-----------	-----------------