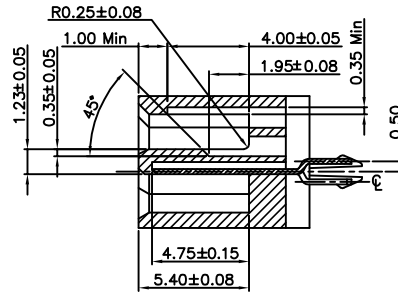
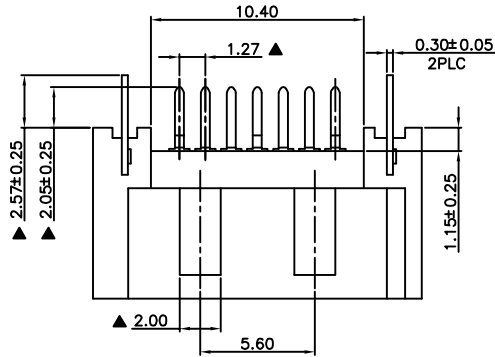


RoHS Compliant

REVISIONS			
REV.	DESCRIPTION	DATE	DESIGN



SECTION A-A

SPECIFICATION:
 1.MATERIAL:
 HOUSING: LCP LG431-9731L 30% G/F UL 94V-0
 COLOR:BLACK
 CONTACT:BRASS C2680R-H,T=0.25mm
 PEG: BRASS C2680R-H,T=0.30mm
 2.FINISH:
 CONTACT: 15u" GOLD/TIN PLATING ON CONTACT AREA
 100u" MIN. TIN PLATING ON SOLDERTAILS
 50u" MIN.NICKEL UNDERPLATING OVER ALL
 PEG: 100u" MIN. TIN PLATING ON SOLDERTAILS
 50u" MIN.NICKEL UNDERPLATING OVER ALL

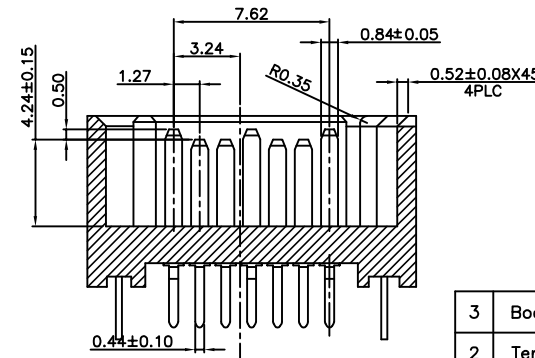
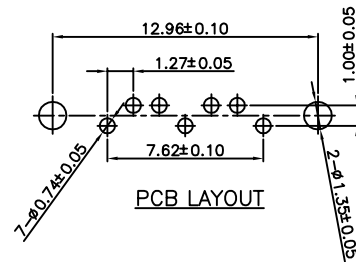
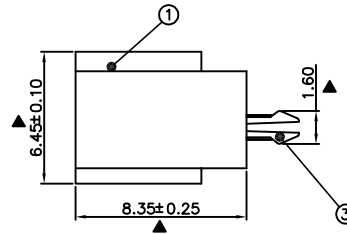
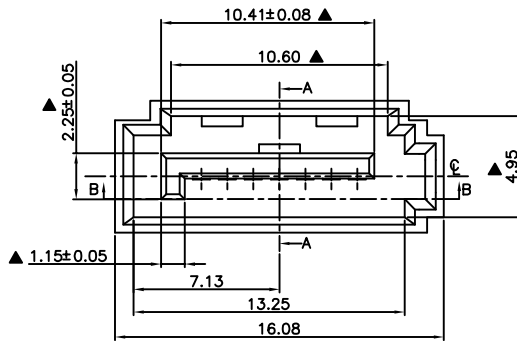
PART NO. INFORMATION

S700 - M X A 5 T -003 V1

GENDER:
 F: FEMALE
 M: MALE

CONTACT PLATED:
 1: GOLD FLASH/TIN
 2: 15U" GOLD/TIN
 3: 30U" GOLD/TIN

PACKAGE:
 T: TRAY
 R:TAPE REEL
 HOUSING COLOR:
 5: BLACK
 HOUSING MATERIAL:
 A: LCP



SECTION B-B

NO.	DESCRIPTION	MATERIAL	COLOR	REMARK
3	Board lock	Brass C2680		Gold/Ni Plated
2	Terminal	Brass C2680		Gold/Tin Plated
1	Housing	High Temp	Black	UL 94V-0

Bestcreate Technology Limited

TOLERANCES UNLESS OTHERWISE SPECIFIED:

X.	± 0.30	X.*	± 3*
.X	± 0.20	.X*	± 2*
.XX	± 0.15	.XX*	± 1*

Website: www.bsc-elec.com
 E-mail: bestcreate@bsc-elec.com

DESIGN: I. L DATE: 2017. 3. 1

CHECKED: C. W DATE: 2017. 3. 1

APPROVED: C. W DATE: 2017. 3. 1

TITLE: SATA 7P 公座 A型
 全包开窗 鱼叉式针长2.05

MATERILA:	PART NO: S700-MXA5T-003-V1	SIZE: A4
FINSH:	DWG NO: S700-MXA5T-003-V1	SHEET: 1 OF 1

REV: A	UNIT: mm	SCALE: 1=1	QUALITY SYMBOLS
--------	----------	------------	-----------------

1

2

3

4

5

6

7

8