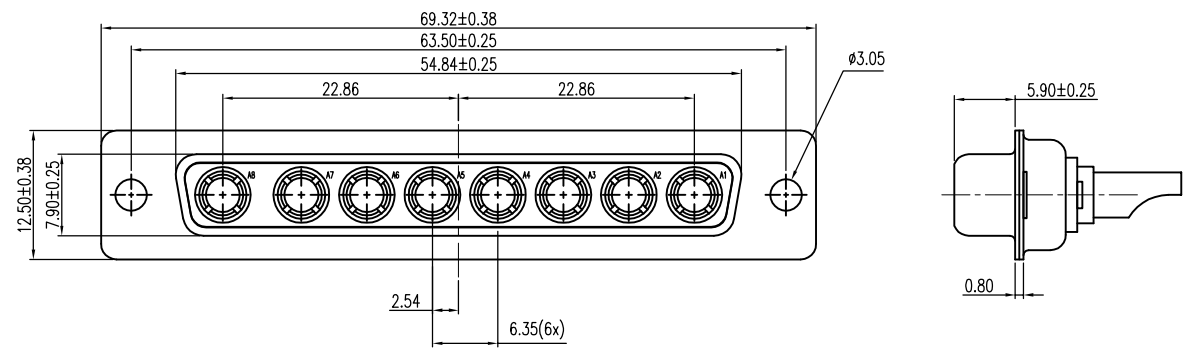


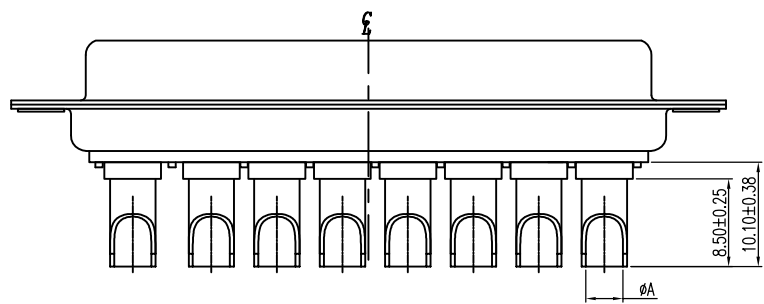
由 Autodesk 教育版产品制作

RoHS Compliant

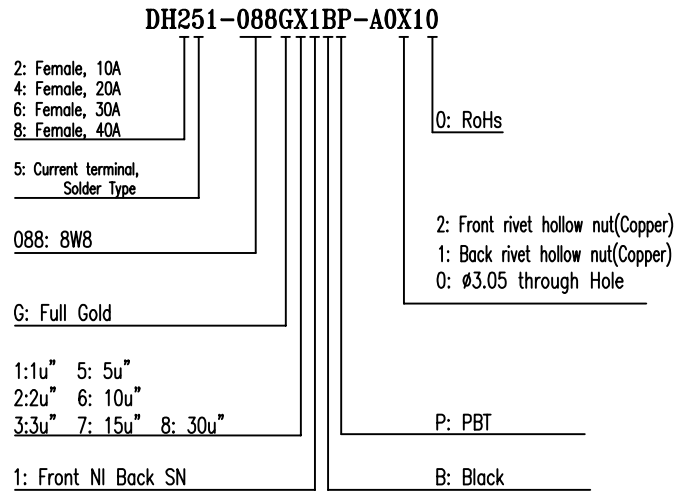
REVISIONS			
REV.	DESCRIPTION	DATE	DESIGN



NOTE:
 1.MATERIALS AND FINISH
 SHELL : STEEL MATERIAL, FRONT-NICKEL PLATING;BACK-TIN PLATING
 CONNECTOR INSULATOR : PBT THERMOPLASTIC, 30% GLASS FILLED, UL 94V-0 RATED,
 HIGH POWER CONTACT MATERIAL: BRASS
 FOOTHOLD: MATERIAL:SPCC, NICKEL PLATING
 2.ELECTRICAL CHARACTERISTICS
 HIGH POWER CONTACT CURRENT RATING : 10,20,30,OR40 AMPS
 HIGH POWER CONTACT RESISTANCE : 2.7 MILLIOHMS MAX.
 DIELECTRIC WITHSTANDING VOLTAGE :
 1000 V AC FOR 1 MINUTE
 INSULATION RESISTANCE : 5000 MEGAOHMS MIN.
 TEMPERATURE RATING : -55°C ~ +125°C
 3.HOW TO ORDER:



40A	Ø4.60
30A	Ø3.20
20A	Ø2.80
10A	Ø1.70
Current Rating	ØA
	Dimension



Bestcreate Technology Limited

TOLERANCES UNLESS OTHERWISE SPECIFIED:

.X	± 0.38	.X"	± 3"
.XX	± 0.25	.X"	± 2"
.XXX	± 0.15	.XX"	± 1"

Website: www.bsc-elec.com
 Email: bestcreate@bsc-elec.com

DESIGN:	DATE:
I.L	2017.3.1
CHECKED:	DATE:
C.W	2017.3.1
APPROVED:	DATE:
C.W	2017.3.1

TITLE: 8W8 FEMALE CONNECTOR FOR WIRE SOLDERING		
MATERILA:	PART NO: DH251.088GX1BP.AOX10	SIZE: A4
FINSH:	DWG NO: DH251.088GX1BP.AOX10	

REV: A	UNIT: mm	SCALE: 1=1	QUALITY SYMBOLS
--------	----------	------------	-----------------

由 Autodesk 教育版产品制作