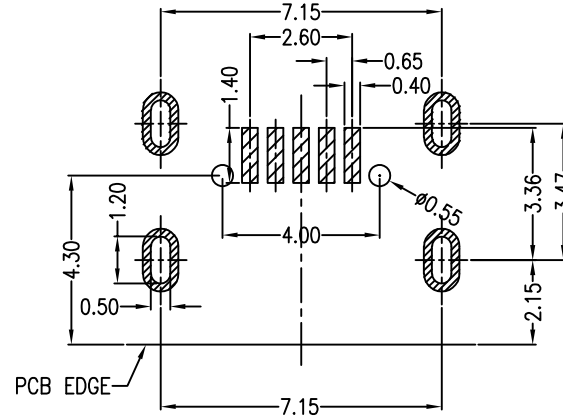
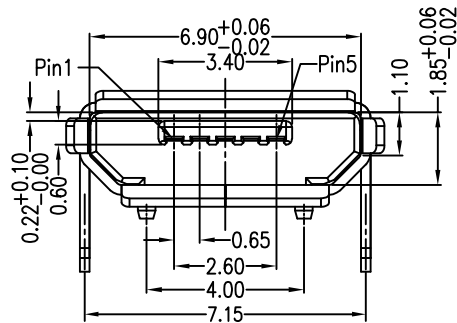
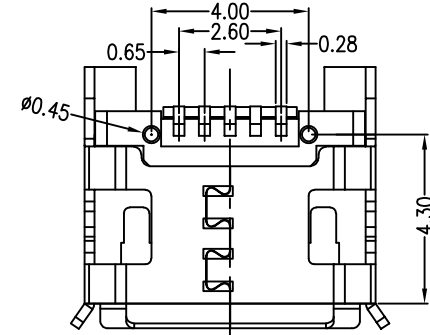
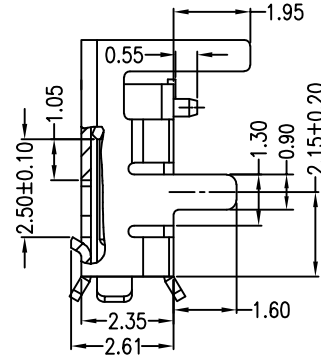
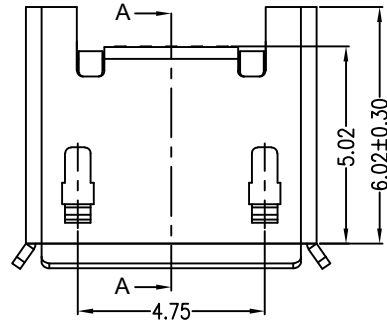
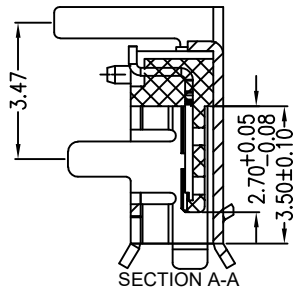
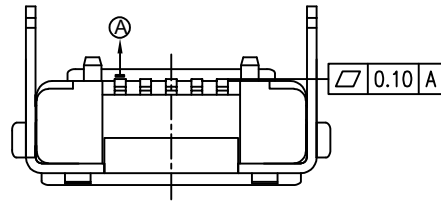


RoHS Compliant

| REVISIONS |             |      |        |
|-----------|-------------|------|--------|
| REV.      | DESCRIPTION | DATE | DESIGN |
|           |             |      |        |



Note:

1.Material:

- 1.1 Housing: High temperature thermoplastic with g.f,UL94v-0
- 1.2 Contact: copper alloy,t=0.20mm
- 1.3 Shell: copper alloy,t=0.25mm

2.Specification:

- 2.1 Current rating:1,5PIN 1.8A Max/2,3,4PIN 1A Max.
- 2.2 Dielectric withstanding voltage: 100 V(ac) for 1 min.
- 2.3 Contact resistance: 30 mΩ Max.
- 2.4 Insulation resistance: 100 MΩ Min.
- 2.5 Total mating force: 3.57 Kgf Max.
- 2.6 Total unmating force: 1.0 Kgf Min.
- 2.7 Temperature range: -30°C~80°C

PART NO. INFORMATION

**U01-B F X X 5 R - 716**

- PORT TYPE  
B: TYPE B
- GENDER  
F: FEMALE  
M: MALE
- CONTACT PLATED  
1: GOLD FLASH  
2: GOLD 3U"  
3: GOLD 5U"  
4: GOLD 10U"  
5: GOLD 15U"  
6: GOLD 30U"
- PACKAGE  
R: TAPE REEL
- HOUSING COLOR  
2: WHITE  
5: BLACK  
9: NATURE
- HOUSING MATERIAL  
A: LCP B: PBT  
C: PA9T D: PA6T  
E: PA46 F: PA66

**Bestcreate Technology Limited**

TOLERANCES UNLESS OTHERWISE SPECIFIED:

|      |        |       |      |
|------|--------|-------|------|
| .X   | ± 0.15 | .X'   | ± 3' |
| .XX  | ± 0.10 | .X''  | ± 2' |
| .XXX | ± 0.05 | .XXX' | ± 1' |

DESIGN: I. L  
DATE: 2017/3/1

CHECKED: C. W  
DATE: 2017/3/1

APPROVED: C. W  
DATE: 2017/3/1

TITLE: **Micro usb 5P B Type插板7.2**  
**有柱前脚1.6后脚1.95四脚插短针**

|           |                         |               |
|-----------|-------------------------|---------------|
| MATERIAL: | PART NO: U01-BFXX5R-716 | SIZE: A4      |
| FINISH:   | DWG NO: U01-BFXX5R-716  | SHEET: 1 OF 1 |

|        |          |            |                  |
|--------|----------|------------|------------------|
| REV: A | UNIT: mm | SCALE: 1=1 | QUALITY SYMBOLS: |
|--------|----------|------------|------------------|

Website: [www.bsc-elec.com](http://www.bsc-elec.com)  
E-mail: [bestcreate@bsc-elec.com](mailto:bestcreate@bsc-elec.com)

1

2

3

4

5

6

7

8