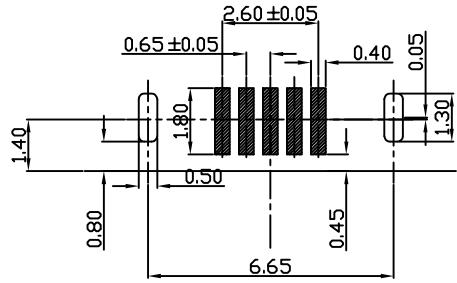
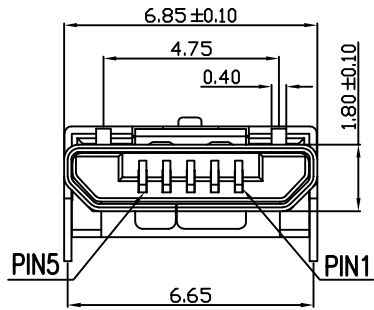


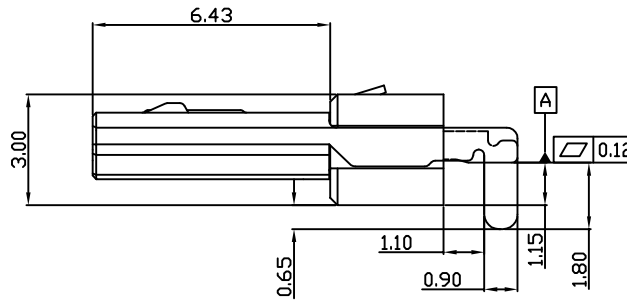
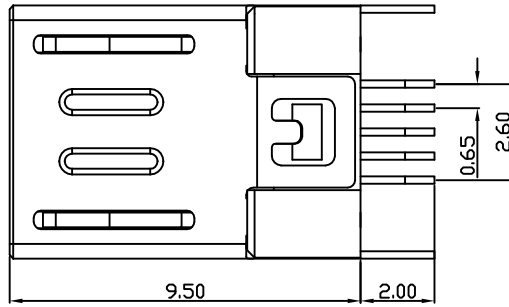
RoHS Compliant



Recommended P.C.B Layout
TOLERANCE±0.05



CONTACT NUMBER	SIGNAL NAME
PIN 1	VBUS
PIN 2	D-
PIN 3	D+
PIN 4	ID
PIN 5	GND

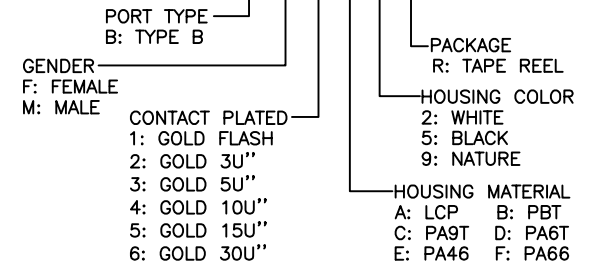


REVISIONS			
REV.	DESCRIPTION	DATE	DESIGN

- NOTE:
- MATERIAL:
 - Shell: SUS301 1/4H T=0.20mm
 - Insulator: LCP+30% G.F. UL 94V-0 Black
 - Contacts: C5191 R-EH
 - hook: SUS301 1/4H T=0.40mm
 - ELECTRICAL CHARACTERISTICS:
 - Current-max[amps]: 1.0A
 - Voltage-max[volts]: 30V
 - Withstanding Voltage: 100 VAC/minute.
 - Contact Resistance [ohms]: 30 milliohms max
 - Insulation Resistance [ohms]: 100 Megohms min
 - Temperature Range: -30° C~+80° C
 - MECHANICAL CHARACTERISTICS:
 - Current-max[amps]: 1.0A
 - Voltage-max[volts]: 30V
 - Withstanding Voltage: 100 VAC/minute
 - Contact Resistance [ohms]: 30 milliohms max
 - Insulation Resistance [ohms]: 100 Megohms min
 - PLATING:
 - Contacts: Gold 1u" Min Plated ON MATING AREA, Fog tin 80u"Min PLATED ON SOLDERING, 30u" NICKEL UNDER PLATING OVERALL
 - Shell: Nickel over all plating

PART NO. INFORMATION

U01-B M X X 5 R - 1301



Bestcreate Technology Limited

TOLERANCES UNLESS OTHERWISE SPECIFIED:

X.	± 0.50	X.*	± 3*
.X	± 0.30	.X*	± 2*
.XX	± 0.20	.XX*	± 1*

Website: www.bsc-elec.com
E-mail: bestcreate@bsc-elec.com

DESIGN: I. L DATE: 2017/3/1

CHECKED: C. W DATE: 2017/3/1

APPROVED: C. W DATE: 2017/3/1

TITLE: Micro USB 5P MALE SMT TYPE

MATERIAL:	PART NO: U01-BMXX5R-1301	SIZE: A4
FINISH:	DWG NO: U01-BMXX5R-1301	SHEET: 1 OF 1

REV: A	UNIT mm	SCALE 1=1	QUALITY SYMBOLS
--------	---------	-----------	-----------------