

RoHS Compliant

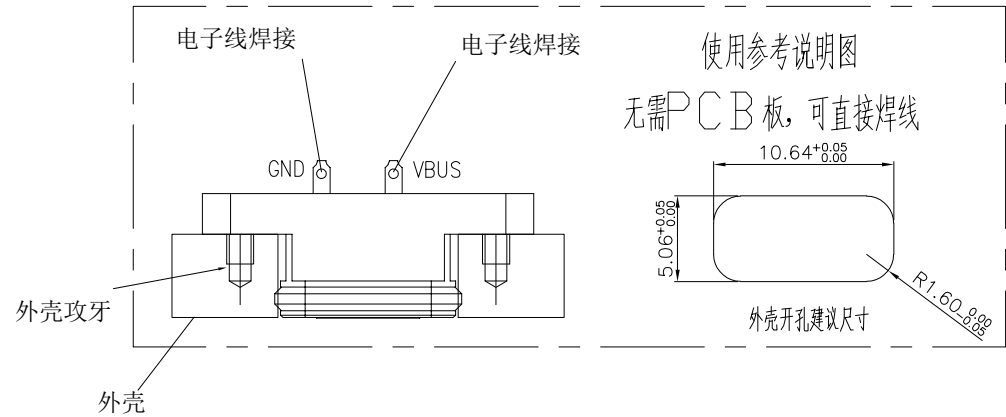
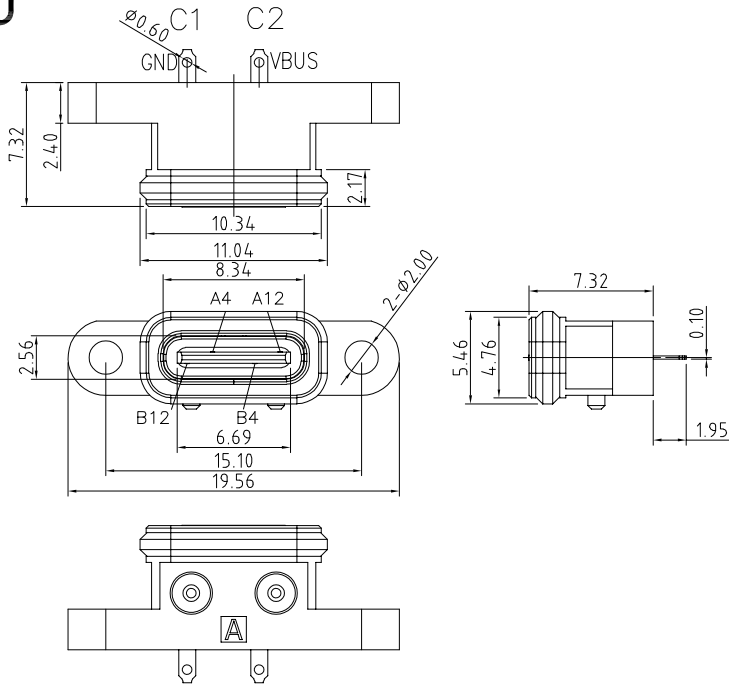


REVISIONS			
REV.	DESCRIPTION	DATE	DESIGN

NOTES:

SPECIFICATION:

1. CURRENT RATING: 3.0A MAX
2. DIELECTRIC WITHSTAND VOLTAGE: 100VAC
3. TEMPERATURE RANGE: -30 °C ~ 85 °C
4. CONTACT RESISTANCE: 40 MILLIONHM MAX
5. INSULATION RESISTANCE: 100 MEGOHMS MIN.
6. INSERTION FORCE : 5N~20N
7. UNMATING FORCE: 8N~20N
8. DURABILITY:5000 CYCLES



5	Shell2	1	SUS304 Ni Plating T=0.20mm	Ni:40~120u <sup>2</sup>
4	Shell1	1	SUS304 Ni Plating T=0.3mm	Ni:40~120u <sup>2</sup>
3	Housing2	1	LCP(G.F30%)	
2	Contact	4	Phosphor bronze C5210R-EH Au/Ni Plating T=0.20mm	Ni:40~160u <sup>2</sup> Au:CONTACT AREA:3u <sup>2</sup> OTHER AREA:4G/F
1	Housing	1	PA9T (G.F30%)	
ITEM	PARTNAME	Q'TY	FINISH	NOTE

PIN ASSIGNMENT

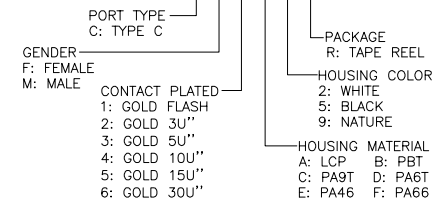
PIN NO.	A12&B12	A4&B4
SINGAL NAME	GND	VBUS
PCB PAD NO.	C1	C2

INTERFACE(FRONT VIEW)

A1	A2	A3	A4	A5	A6	A7	A8	A9	A10	A11	A12
			VBUS								GND
GND									VBUS		
B12	B11	B10	B9	B8	B7	B6	B5	B4	B3	B2	B1

PART NO. INFORMATION

**U06-C F X X 5 R - W116**



**Bestcreate Technology Limited**

TOLERANCES UNLESS OTHERWISE SPECIFIED:

X.	± 0.50	X.'	± 5'
.X	± 0.30	.X''	± 2''
.XX	± 0.10	.XX''	± 1''

DESIGN: I.L DATE:

CHECKED: C.W DATE:

APPROVED: C.W DATE:

TITLE: **IPX8 WATERPROOF 2P USB C FEMALE CONNECTOR FOR WIRE SOLDERING**

MATERILA:	PART NO: U06-CFXX5R-W116	SIZE: A4
FINSH:	DWG NO: U06-CFXX5R-W116	1 OF 1

REV: A UNIT mm SCALE 1=1 QUALITY SYMBOLS

Website:www.bsc-elec.com  
Email:bestcreate@bsc-elec.com