

RoHS Compliant

REVISIONS

REV.	DESCRIPTION	DATE	DESIGN

8	/
7	/
6	RX-
5	/
4	/
3	RX+
2	TX-
1	TX+
PIN序说明	

NOTES

- ELECTRICAL
- 1. VOLTAGE RATING : 125 VAC RMS.
  - 2. CURRENT RATING : 1.5 AMP.
  - 3. CONTACT RESISTANCE : 40 MILLIOHMS MAX.
  - 4. INSULATION RESISTANCE : 500 MEGOHMS MIN @ 100V DC .
  - 5. DIELECTRIC DIELECTRIC RESISTANCE : 500V DC RMS 50Hz. 1MIN.

MECHANICAL

- 1. DURRABILITY : 750 CYCLES MIN.
- 2. MATING/UNMATING FORC: 2.24 KG. F MAX.

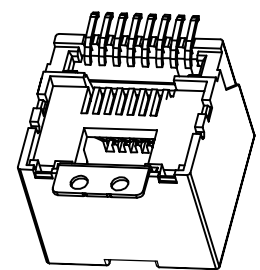
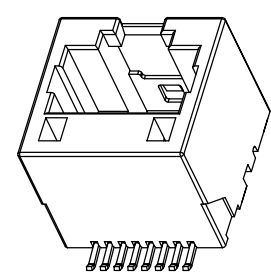
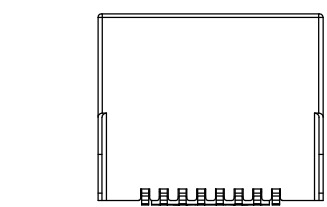
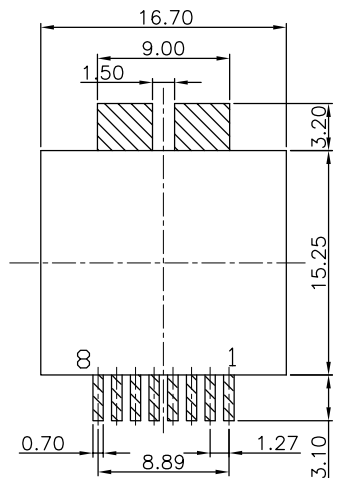
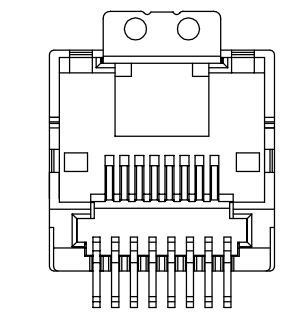
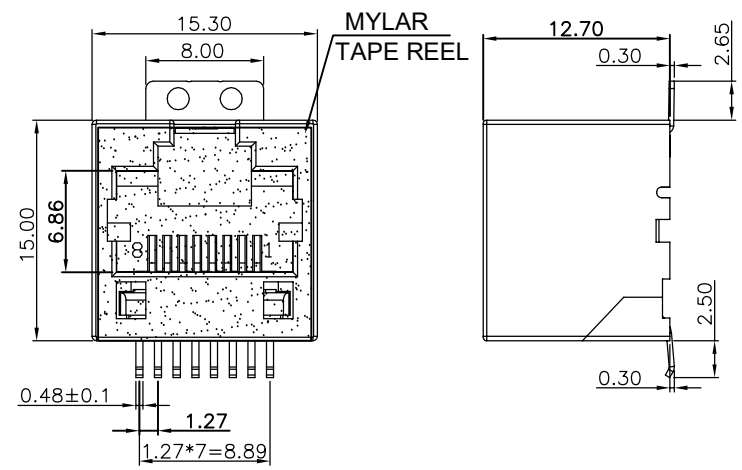
ENVIRONMENTAL:

- 1. OPERATION : -40°C ~ +85°C.
- 2. STORAGE : -40°C ~ +85°C.

PART NO. INFORMATION

RJ01- X 5 0 X - 069

- CONTACT PLATED
- 1: G/F    2: AU 3U"
  - 3: AU 5U"    4: AU 10U"
  - 5: AU 15U"    6: AU 30U"
- PACKAGE
- R: TAPE REEL
  - T: TRAY



4	RJ45 立式12.7H接地片	1	C2680 T=0.35mm	亮锡100u"
3	RJ45 立式12.7H端子	8	C5191 T=0.35mm	Au/亮锡100u"/Ni 50u"
2	RJ45 立式12.7H SMT插芯半成品	1	LCP UL94V-0	BLACK
1	RJ45 立式12.7H无柱无灯主体	1	LCP UL94V-0	BLACK
NO.	PART NAME	Q'TY	MATERIAL	PLATING & COLOR

**Bestcreate Technology Limited**

TOLERANCES UNLESS OTHERWISE SPECIFIED:

.X	± 0.35	.X'	± 3'
.XX	± 0.25	.X''	± 2'
.XXX	± 0.15	.XXX'	± 1'

Website: [www.bsc-elec.com](http://www.bsc-elec.com)  
Email: [bestcreate@bsc-elec.com](mailto:bestcreate@bsc-elec.com)

DESIGN: I. L    DATE: 2017. 3. 1

CHECKED:    DATE:

C. W    2017. 3. 1

APPROVED:    DATE:

C. W    2017. 3. 1

TITLE: VERTICAL SMT RJ45 8P8C CONNECTOR

MATERILA:    PART NO: RJ01-X50X-069    SIZE: A4

FINSH:    DWG NO: RJ01-X50X-069

REV: A	UNIT mm	SCALE 1=1	QUALITY SYMBOLS
--------	---------	-----------	-----------------

1

2

3

4

5

6

7

8