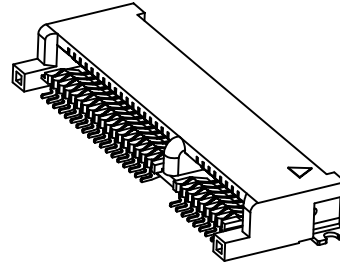
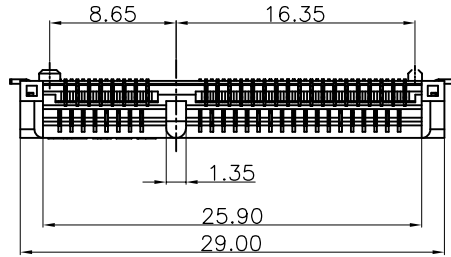


RoHS Compliant

REVISIONS			
REV.	DESCRIPTION	DATE	DESIGN



**NOTE:**

**1.MATERIAL:**

1.1.HOUSING: LCP UL94V-0,COLOR:BLACK

1.2.CONTACTS: COPPER ALLOY.;

1.3.PEG: COPPER ALLOY.

**2.REFLOW SOLDER CAPABLE TO 260°C**

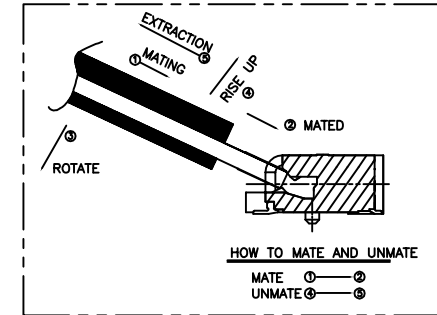
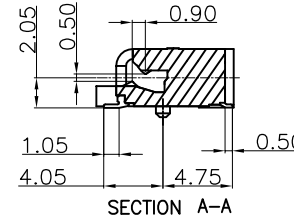
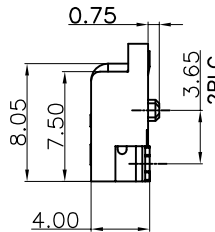
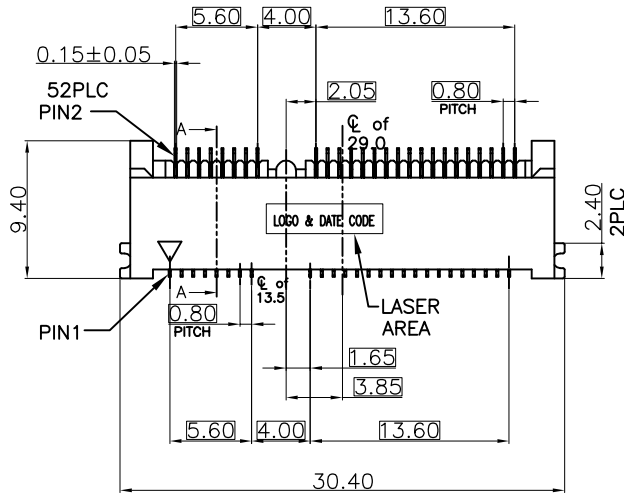
**3.FINISH:**

CONTACT: GOLD FLASH ON CONTACT AREA AND GOLD 2u"

SOLDER AREA. 50u" MIN NICKEL UNDERPLATING OVERALL.

PEG: 100u" MIN.MATTE-TIN PLATED ON SOLDERING AREA.

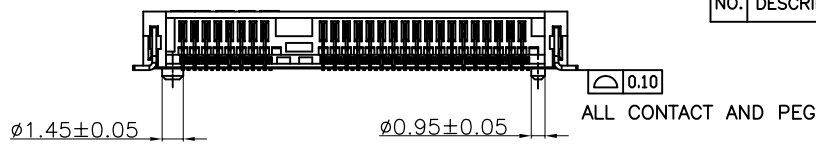
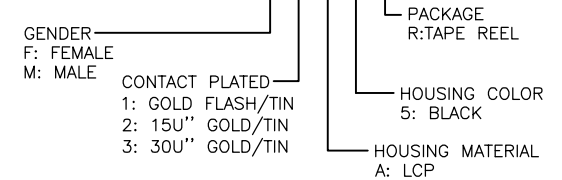
50u" MIN. NICKEL UNDERPLATING.



3	PEG	COPPER ALLOY		Tin/Ni Plated
2	CONTACT	COPPER ALLOY		Gold/Ni Plated
1	HOUSING	LCP	BLACK	UL 94V-0
NO.	DESCRIPTION	MATERIAL	COLOR	REMARK

PART NO. INFORMATION

**MNPCI - F X A 5 R -002**



**Bestcreate Technology Limited**

TOLERANCES UNLESS OTHERWISE SPECIFIED:

.X	± 0.30	X.'	± 3'
.XX	± 0.20	.XX'	± 2'
.XXX	± 0.05	.XXX'	± 0.5'

Website: [www.bsc-elec.com](http://www.bsc-elec.com)  
E-mail: [bestcreate@bsc-elec.com](mailto:bestcreate@bsc-elec.com)

DESIGN: I.L DATE: 2017.3.1

CHECKED: C.W DATE: 2017.3.1

APPROVED: C.W DATE: 2017.3.1

TITLE: MINI PCI EXPRESS 52P 5.2H CONNECTOR

MATERILA: PART NO: MNPCI-FXA5R-002 SIZE: A4

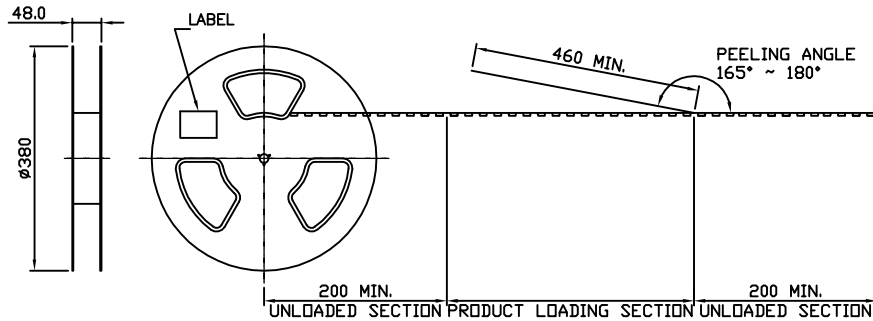
FINISH: DWG NO: MNPCI-FXA5R-002 SHEET: 1 OF 3

REV: A UNIT mm SCALE 1=1 QUALITY SYMBOLS

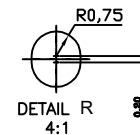
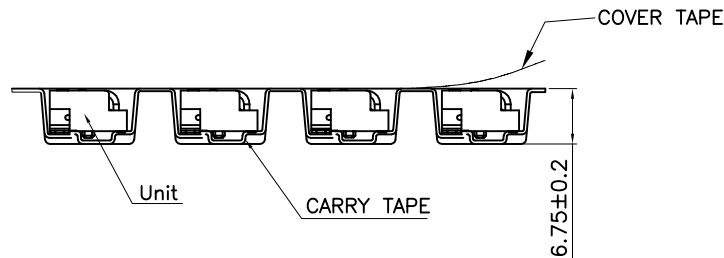
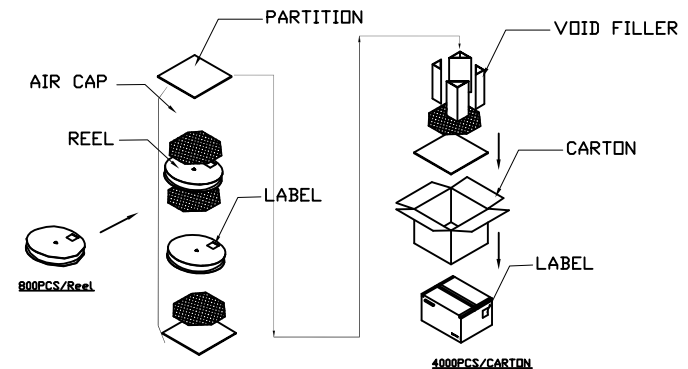
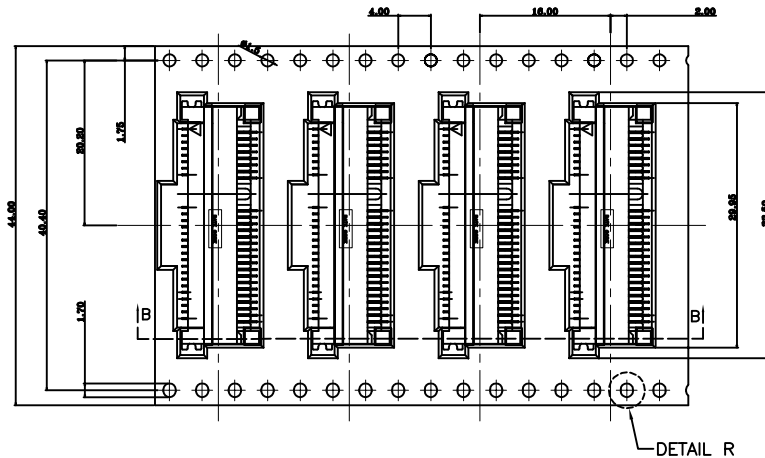


RoHS Compliant

REVISIONS			
REV.	DESCRIPTION	DATE	DESIGN



- NOTES :
- MATERIAL :  
 COVER TAPE : ANTISTATIC P.S T=0.05  
 CARRIER TAPE : ANTISTATIC P.S T=0.40  
 REEL : PS UL94V-0  
 CARTON: CORRUGATED FIBER
  - DIMENSION :  
 REEL : SEE DRAWING  
 SHIPPING BOX: 385X385X295mm
  - QUANTITY : SEE TABLE
  - PEELING RESISTANCE : 10gf~130gf (for 12~56mm)
  - PEELING SPEED : 300mm/MINUTES



**Bestcreate Technology Limited**

TOLERANCES UNLESS OTHERWISE SPECIFIED:

.X	± 0.30	X.*	± 3*
.XX	± 0.20	.XX*	± 2*
.XXX	± 0.05	.XXX*	± 0.5*

Website: [www.bsc-elec.com](http://www.bsc-elec.com)  
 E-mail: [bestcreate@bsc-elec.com](mailto:bestcreate@bsc-elec.com)

DESIGN: I. L      DATE: 2017. 3. 1

CHECKED: C. W      DATE: 2017. 3. 1

APPROVED: C. W      DATE: 2017. 3. 1

TITLE: MINI PCI EXPRESS 52P 5.2H CONNECTOR

MATERILA:      PART NO: MNPCL-FXA5R-002      SIZE: A4

FINSH:      DWG NO: MNPCL-FXA5R-002      SHEET: 1 OF 3

REV: A	UNIT mm	SCALE 1=1	QUALITY SYMBOLS
--------	---------	-----------	-----------------