

RoHS Compliant

REVISIONS			
REV.	DESCRIPTION	DATE	DESIGN

A

B

C

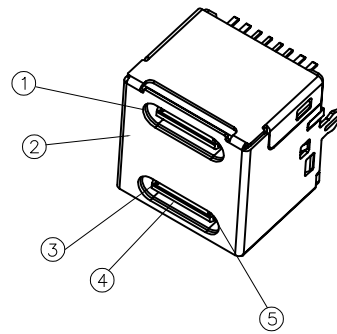
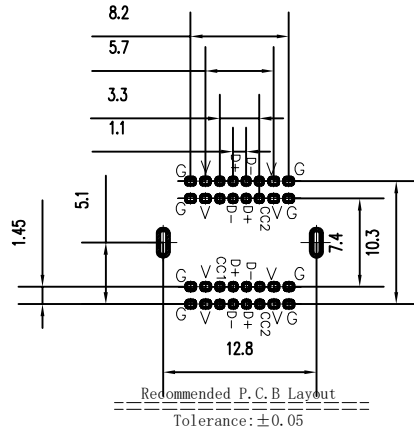
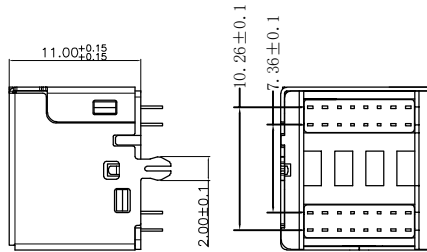
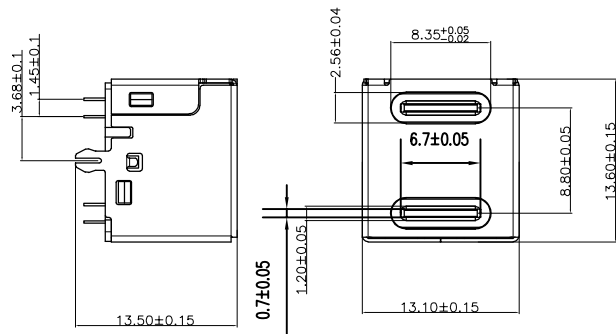
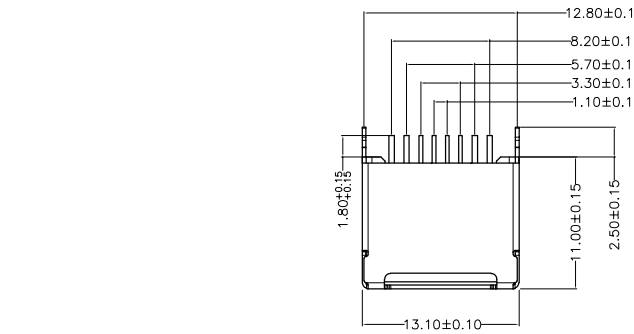
D

A

B

C

D



(NOTES) :

1. MECHANICAL CAPACIAL:
 - 1.1 INSERTION FORCE: 5~20N.
 - 1.2 WITHDRAWAL FORCE: 5~20N
 - 1.3 LIFETIME: 10000 CYCLES.
2. ELECTRICAL SPECIFICATION:
 - 2.1 CURRENT RATING: 5A MAX .
 - 2.2 CURRENT VOLTAGE: 30V MAX.
 - 2.3 WITHSTAND VOLTAGE: 100V AC.
 - 2.4 CONTACT RESISTANCE: 40mΩ MAX (Initial) , 50mΩ MAX (AFTER 5000TIMES TEST) .
 - 2.5 INSULATION RESISTANCE: 100MΩ MIN.
3. ENVIRONMENT TEMPERATURE:
 - 3.1 TEMPERATURE RANGE: -30° C +85° C
 - 3.2 SALT SPRAY: 24H.

PART NO. INFORMATION

U06-DC F X X 5 T - 003

- PORT TYPE: DC: DUAL TYPE C
- GENDER: F: FEMALE, M: MALE
- CONTACT PLATED: 1: GOLD FLASH, 2: GOLD 3U", 3: GOLD 5U", 4: GOLD 10U", 5: GOLD 15U", 6: GOLD 30U"
- PACKAGE: T: TRAY
- HOUSING COLOR: 2: WHITE, 5: BLACK, 9: NATURE
- HOUSING MATERIAL: A: LCP, B: PBT, C: PA9T, D: PA6T, E: PA46, F: PA66

PIN DEFINITION
FRONT VIEW

A12	A11	A10	A9	A8	A7	A6	A5	A4	A3	A2	A1
GND			VBus		D-	D+	CC	VBus			GND
GND			VBus	Vconn				VBus			GND
B1	B2	B3	B4	B5	B6	B7	B8	B9	B10	B11	B12

⑤	中心片/中夹片	SUS201-H		
④	TYPE C Moding	LCP+30GF	BLACK	UL 94V-0
③	TYPE C TERMINAL	C2680-H		PLATING: G/F Tin 80-120u"Ni:30u"
②	SHELL	C2680-H/SPCC		Ni : 40-60"
①	HOUSING	LCP+30GF	BLACK	UL 94V-0
NO	DESCRIPTION	MATERIAL	COLOR	NOTES

Bestcreate Technology Limited

TOLERANCES UNLESS OTHERWISE SPECIFIED:

X.	± 0.50	X.*	± 3*
.X	± 0.30	.X.*	± 2*
.XX	± 0.20	.XX.*	± 1*

DESIGN: I. L DATE: 2017. 3. 1

CHECKED: C. W DATE: 2017. 3. 1

APPROVED: C. W DATE: 2017. 3. 1

TITLE: DUAL USB 16P 3.1 C FEMALE CONNECTOR 180D

MATERIAL: PART NO: U06-DCFX5T-003 SIZE: A4

FINISH: DWG NO: U06-DCFX5T-003 SHEET: 1 OF 1

REV: A UNIT mm SCALE 1=1 QUALITY SYMBOLS Website: www.bsc-elec.com E-mail: bestcreate@bsc-elec.com